

FS 131, 131 R

**STIHL**



2 - 52      Instruction Manual  
52 - 109    Manual de instrucciones

**⚠ WARNING**

Read Instruction Manual thoroughly before use and follow all safety precautions – improper use can cause serious or fatal injury.

**⚠ ADVERTENCIA**

Antes de usar la máquina lea y siga todas las precauciones de seguridad dadas en el manual de instrucciones – el uso incorrecto puede causar lesiones graves o mortales.



# Contents

1	Introduction.....	2
2	Guide to Using this Manual.....	2
3	Safety Precautions and Working Techniques.....	3
4	Approved Combinations of Cutting Attachment, Deflector, Limit Stop, Handle, Harness.....	19
5	Approved Power Tool Attachments.....	20
6	Mounting the Bike Handle.....	20
7	Mounting the Loop Handle.....	23
8	Adjusting the Throttle Cable.....	24
9	Fitting the Carrying Ring.....	25
10	Mounting the deflector.....	25
11	Mounting the Cutting Attachment.....	26
12	Fuel.....	30
13	Fueling.....	31
14	Fitting the Harness.....	32
15	Balancing the Machine.....	33
16	Starting / Stopping the Engine.....	35
17	Transporting the Unit.....	37
18	Operating Instructions.....	39
19	Replacing the Air Filter.....	39
20	Engine Management.....	39
21	Adjusting the Carburetor.....	39
22	Spark Arresting Screen in Muffler.....	40
23	Spark Plug.....	40
24	Engine Running Behavior.....	41
25	Lubricating the Gearbox.....	41
26	Storing the Machine.....	41
27	Sharpening Metal Cutting Blades.....	42
28	Maintaining the Mowing Head.....	42
29	Maintenance and Care.....	43
30	Main Parts.....	45
31	Specifications.....	46
32	Maintenance and Repairs.....	47
33	Disposal.....	47
34	Limited Warranty.....	47
35	STIHL Incorporated Federal Emission Control Warranty Statement.....	47
36	STIHL Incorporated California Exhaust and Evaporative Emissions Control Warranty Statement.....	49
37	Trademarks.....	51

## 1 Introduction

Allow only persons who fully understand this manual to operate your trimmer / brushcutter.

To receive maximum performance and satisfaction from your STIHL trimmer / brushcutter, it is important that you read, understand and follow the safety precautions and the operating and maintenance instructions in chapter "Safety Precautions and Working Techniques" before using

your trimmer / brushcutter. For further information you can go to [www.stihlusa.com](http://www.stihlusa.com).

Contact your STIHL dealer or the STIHL distributor for your area if you do not understand any of the instructions in this manual.

### WARNING

Because a trimmer / brushcutter is a high-speed cutting tool some special safety precautions must be observed to reduce the risk of personal injury. Careless or improper use may cause serious or even fatal injury.

Make sure your unit is equipped with the proper deflector or limit stop, handle and harness for the type of cutting attachment being used. Always wear proper eye protection.

## 2 Guide to Using this Manual

### 2.1 Pictograms

The meanings of the pictograms attached to or embossed on the machine are explained in this manual.

Depending on the model concerned, the following pictograms may be on your machine.



Fuel tank for gasoline and engine oil mixture



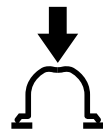
Press to operate decompression valve



Manual fuel pump



Press to operate manual fuel pump



Filler hole for gear lubricant



Air intake summer mode



Air intake winter mode



Handle heating

## 2.2 Symbols in Text

Many operating and safety instructions are supported by illustrations.

The individual steps or procedures described in the manual may be shown in different ways:

- ▶ A bullet indicates a step or procedure.

A description of a step or procedure that refers directly to an illustration may contain item numbers that appear in the illustration. For example:

- ▶ Remove the screw (1)
- ▶ Pull the spark arresting screen (2) upwards out of the muffler

In addition to the operating instructions, this manual may contain paragraphs that require your special attention. Such paragraphs are indicated with the symbols and signal words described below:



### **DANGER**

Indicates a hazardous situation that, if not avoided, will result in death or serious injury.



### **WARNING**

Indicates a hazardous situation that, if not avoided, could result in death or serious injury.

### **NOTICE**

Indicates a risk of property damage, including damage to the machine or its individual components.

## 2.3 Engineering Improvements

STIHL's philosophy is to continually improve all of its products. As a result, engineering changes and improvements are made from time to time. Therefore, some changes, modifications and improvements may not be covered in this manual. If the operating characteristics or the appearance of your machine differs from those described in this manual, please contact your STIHL dealer or the STIHL distributor for your area for assistance.

## 3 Safety Precautions and Working Techniques



Because a trimmer / brushcutter is a high-speed, fast-cutting power tool sometimes equipped with sharp cutting blades, special safety precautions must be observed to reduce the risk of personal injury.



It is important that you read, fully understand and observe the following safety precautions and warnings. Read the instruction manual and the safety precautions periodically. Careless or improper use may cause serious or fatal injury.

The terminology utilized in this manual when referring to the power tool reflects the fact that different types of cutting attachments may be mounted on it. The term "trimmer" is used to designate an FS unit that is equipped with a nylon line head or a head with flexible plastic blades (i.e., the PolyCut head). A "brushcutter" designates a unit equipped with a rigid metal blade. Many FS models may be used as either a trimmer or a brushcutter – therefore, the power tool is referred in this manual as a "trimmer / brushcutter." Some smaller and / or lightweight FS models may only be used as a trimmer, i.e., they may not be used with metal blades.

The term "clearing saw" indicates a high-powered trimmer / brushcutter that is particularly suited for use with a circular saw blade to clear saplings or small trees.

FS models with an "R" on the nameplate were originally configured (at the time of distribution) as a trimmer with a loop handle.



### **WARNING**

As more fully explained later in these Safety Precautions, to reduce the risk of personal injury, make sure your unit is equipped with the proper handle, harness and deflector or limit stop for the type of cutting attachment you are using. Use only cutting attachments that are specifically authorized by STIHL for use on your FS model.

Have your STIHL dealer show you how to operate your power tool. Observe all applicable local safety regulations, standards and ordinances.

 **WARNING**

Do not lend or rent your power tool without the instruction manual. Be sure that anyone using it understands the information contained in this manual.

 **WARNING**

The use of this machine may be hazardous. If the rotating line or blade comes in contact with your body, it will cut you. When it comes in contact with solid foreign objects such as rocks or bits of metal, it may fling them directly or by ricochet in the direction of bystanders or the operator. Striking such objects could damage the cutting attachment and may cause blades to crack, chip or break. Thrown objects, including broken heads or blades, may result in serious or fatal injury to the operator or bystanders. STIHL does not recommend the use of rigid blades when cutting in stony areas.

Use your trimmer / brushcutter equipped with the appropriate cutting attachment only for cutting grass, brush, wood and similar material.

 **WARNING**

Do not use it for other purposes, since misuse may result in personal injury or property damage, including damage to the machine.

 **WARNING**

Minors should never be allowed to use this power tool. Bystanders, especially children, and animals should not be allowed in the area where it is in use.

 **WARNING**

To reduce the risk of injury to bystanders and damage to property, never let your power tool run unattended. When it is not in use (e.g. during a work break), shut it off and make sure that unauthorized persons do not use it.

Most of these safety precautions and warnings apply to the use of all STIHL trimmers / brushcutters. Different models may have different parts and controls. See the appropriate section of your instruction manual for a description of the controls and the function of the parts of your model.

Safe use of a trimmer / brushcutter involves

1. the operator
2. the power tool
3. the use of the power tool.

### 3.1 THE OPERATOR

#### 3.1.1 Physical Condition

You must be in good physical condition and mental health and not under the influence of any substance (drugs, alcohol, etc.) which might impair vision, dexterity or judgment. Do not operate this machine when you are fatigued.

 **WARNING**

Be alert – if you get tired, take a break. Tiredness may result in loss of control. Working with any power tool can be strenuous. If you have any condition that might be aggravated by strenuous work, check with your doctor before operating this machine.

 **WARNING**

Prolonged use of a power tool (or other machines) exposing the operator to vibrations may produce whitefinger disease (Raynaud's phenomenon) or carpal tunnel syndrome.

These conditions reduce the hand's ability to feel and regulate temperature, produce numbness and burning sensations and may cause nerve and circulation damage and tissue necrosis.

All factors which contribute to whitefinger disease are not known, but cold weather, smoking and diseases or physical conditions that affect blood vessels and blood transport, as well as high vibration levels and long periods of exposure to vibration are mentioned as factors in the development of whitefinger disease. In order to reduce the risk of whitefinger disease and carpal tunnel syndrome, please note the following:

- Most STIHL power tools are available with an anti-vibration ("AV") system designed to reduce the transmission of vibrations created by the machine to the operator's hands. An AV system is recommended for those persons using power tools on a regular or sustained basis.
- Wear gloves and keep your hands warm.
- Keep the AV system well maintained. A power tool with loose components or with damaged

or worn AV elements will tend to have higher vibration levels.

- Maintain a firm grip at all times, but do not squeeze the handles with constant, excessive pressure. Take frequent breaks.

All the above-mentioned precautions do not guarantee that you will not sustain whitefinger disease or carpal tunnel syndrome. Therefore, continual and regular users should closely monitor the condition of their hands and fingers. If any of the above symptoms appear, seek medical advice immediately.



### WARNING

The ignition system of the STIHL unit produces an electromagnetic field of a very low intensity. This field may interfere with some pacemakers. To reduce the risk of serious or fatal injury, persons with a pacemaker should consult their physician and the pacemaker manufacturer before operating this tool.

#### 3.1.2 Proper Clothing

To reduce the risk of injury, the operator should wear proper protective apparel.



### WARNING

The deflector provided with your power tool will not protect the operator from all foreign objects (gravel, glass, wire, etc.) thrown back by the rotating cutting attachment. Thrown objects may also ricochet and strike the operator.



### WARNING



To reduce the risk of injury to your eyes never operate your power tool unless wearing goggles or properly fitted protective glasses with adequate top and side protection complying with ANSI Z87 "+" (or your applicable national standard). To reduce the risk of injury to your face STIHL recommends that you also wear a face shield or face screen over your goggles or protective glasses.

Wear an approved safety hard hat to reduce the risk of injury to your head when there is a danger of head injuries.

Power tool noise may damage your hearing. Wear sound barriers (ear plugs or ear muffs) to protect your hearing. Continual and regular users should have their hearing checked regularly.

Be particularly alert and cautious when wearing hearing protection because your ability to hear warnings (shouts, alarms, etc.) is restricted.



Always wear heavy duty work gloves (e.g. made of leather or other wear resistant material) when handling the machine and metal blades. Heavy-duty, non-slip gloves improve your grip and help to protect your hands.



Clothing must be sturdy and snug-fitting, but allow complete freedom of movement. Wear long pants made of heavy material to help protect your legs. Do not wear shorts, sandals or go barefoot.

Avoid loose-fitting jackets, scarfs, neckties, jewelry, flared or cuffed pants, unconfined long hair or anything that could become caught on branches, brush or the moving parts of the unit. Secure hair so it is above shoulder level.



Good footing is very important. Wear sturdy boots with nonslip soles. Steel-toed safety boots are recommended.

## 3.2 THE POWER TOOL

For illustrations and definitions of the power tool parts see the chapter on "Main Parts."

## WARNING

Never modify this power tool in any way. Only attachments supplied by STIHL and expressly approved by STIHL for use with the specific STIHL model are authorized. Although certain unauthorized attachments are useable with STIHL power tools, their use may, in fact, be extremely dangerous. For the cutting attachments authorized by STIHL for your unit, see the chapter "Approved Combinations of Cutting Attachment, Deflector, Limit Stop, Handle and Harness" in the instruction manual or the STIHL "Cutting Attachments, Parts & Accessories" catalog.

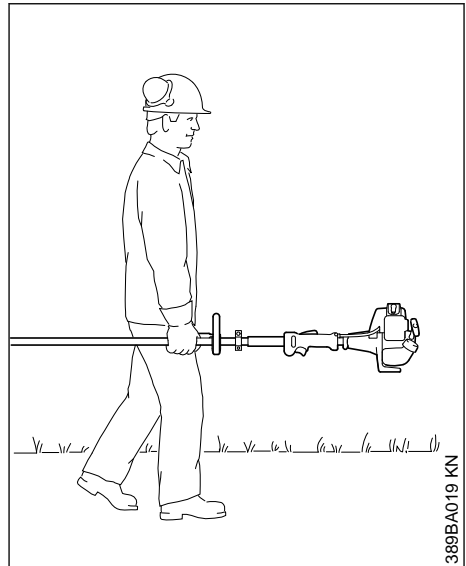
If this tool is subjected to unusually high loads for which it was not designed (e.g. heavy impact or a fall), always check that it is in good condition before continuing work. Check in particular that the fuel system is tight (no leaks) and that the controls and safety devices are working properly. Do not continue operating this machine if it is damaged. In case of doubt, have it checked by your STIHL servicing dealer.

### 3.3 THE USE OF THE POWER TOOL

#### 3.3.1 Transporting the Power Tool

## WARNING

To reduce the risk of injury from loss of control and blade or line contact, never carry or transport your power tool with the cutting attachment moving.



389BA019 KN

It may be carried only in a horizontal position. Grip the shaft in a manner that the machine is balanced horizontally. Keep the hot muffler away from your body and the cutting attachment behind you.

## WARNING

Always shut off the engine and make sure the cutting attachment has stopped before putting a trimmer / brushcutter down. When transporting it in a vehicle, properly secure it to prevent turnover, fuel spillage and damage to the unit. STIHL recommends that you keep metal blades covered with the transport guard (optional accessory).

#### 3.3.2 Fuel

Your STIHL power tool uses an oil-gasoline mixture for fuel (see the "Fuel" chapter in this instruction manual).

 **WARNING**


Gasoline is an extremely flammable fuel. If spilled and ignited by a spark or other ignition source, it can cause fire and serious burn injury or property damage. Use extreme caution when handling gasoline or fuel mix. Do not smoke or bring any fire or flame near the fuel or the power tool. Note that combustible fuel vapor may escape from the fuel system.

### 3.3.3 Fueling Instructions

 **WARNING**

To reduce the risk of fire and serious personal injury, always place the power tool on the ground before attempting to fuel the machine.

 **WARNING**


#### Pick a Safe Location

To reduce the risk of fire and explosion, fuel your power tool in a well-ventilated area, outdoors away from flames, pilot lights, heaters, electric motors, and other sources of ignition. Vapors can be ignited by a spark or flame many feet away. Select bare ground for fueling and move at least 10 feet (3 m) from the fueling spot before starting the engine. Wipe off any spilled fuel before starting your power tool. Take care not to get fuel on your clothing. If this happens, change your clothing immediately.

#### Allow the Power Tool to Cool Before Removing the Fuel Cap

 **WARNING**

Gasoline vapor pressure may build up inside the fuel tank. The amount of pressure depends on a number of factors such as the fuel used, altitude and temperature. To reduce the risk of burns and other personal injury from escaping gas, vapor and fumes, always shut off the engine and allow it to cool before removing the fuel cap.

The engine is air cooled. When it is shut off, cooling air is no longer drawn across the cylinder and engine temperatures will rise for several minutes before starting to cool. In hot environments, cooling will take longer. To reduce the risk of burns and other personal injury from escaping gas, vapor and fumes, allow the power tool to cool. If you need to refuel before completing a job, turn off the machine and allow the engine to cool before opening the fuel tank.

#### Fuel Spraying or "Geysering"

 **WARNING**

Removing the cap on a pressurized fuel tank can result in gasoline, vapors and fumes being forcefully sprayed out from the fuel tank in all directions. The escaping gasoline, vapors or fumes can cause serious personal injury, including fire and burn injury, or property damage.

Sometimes also referred to as "fuel geysering," fuel spraying is an expulsion of fuel, vapors and fumes which can occur in hot conditions, or when the engine is hot, and the tank is opened without allowing the power tool to cool adequately. It is more likely to occur when the fuel tank is half full or more.

Pressure is caused by fuel and heat and can occur even if the engine has not been running. When gasoline in the fuel tank is heated (by ambient temperatures, heat from the engine, or other sources), vapor pressure will increase inside the fuel tank.

Some blends of gasoline, particularly those designed for use in winter, are more volatile and may cause tanks to pressurize more quickly or create greater pressure. At higher altitudes, fuel tank pressurization is more likely.

#### How to Avoid Fuel Spraying

Removing the fuel cap on a pressurized tank can result in gasoline, vapors and fumes being forcefully sprayed out from the fuel tank in all directions. To reduce the risk of burns, serious injuries or property damage from fuel spraying:

- Follow the fueling instructions in this chapter.
- Always assume your fuel tank is pressurized.
- Allow the power tool to cool before removing the fuel cap.
- In hot environments, cooling will take longer.
- The engine is air cooled. When it is shut off, cooling air is no longer drawn across the cylinder.

der and the engine temperature will rise for several minutes before starting to cool.

After the power tool has cooled appropriately, follow the safety instructions in this chapter for removing the cap.

Never remove the fuel filler cap by turning it directly to the open position. First check for residual pressure in the tank by slowly turning the cap approximately 1/2 turn counter-clockwise. The cap should be held in place by the threads while allowing residual vapor/pressure to be relieved. Once the fumes or vapor have been relieved, turn the cap further until it can be removed from the tank opening.

Use only good quality fuel that is appropriate for the season (summer v. winter blends). Some blends of gasoline, particularly winter blends, are more volatile and can contribute to fuel spraying.

### Removing the Threaded Fuel Filler Cap



#### WARNING

After allowing the power tool to cool, remove the fuel filler cap slowly and carefully to allow any remaining pressure build-up in the tank to release:

- While maintaining steady, downward pressure, slowly turn the cap approximately 1/2 turn counter-clockwise.
- If any significant venting occurs, immediately re-seal the tank by turning the cap clockwise to the closed position. Allow the power tool to cool further before attempting to open the tank.
- Turn the cap to the open position only after the contents of the tank are no longer under pressure.
- Never remove the cap by turning it directly to the open position. First allow the power tool to cool adequately and then release any residual pressure by slowly turning it approximately 1/2 turn counter-clockwise.
- Never attempt to remove the cap while the engine is still hot or running.

### Installing the Threaded Fuel Filler Cap



#### WARNING



Unit vibrations can cause an improperly tightened fuel filler cap to loosen or come off and spill quantities of fuel. To reduce the risk of fuel spillage and fire,

tighten the fuel filler cap by hand with as much force as possible.

### Damaged or Broken Cap

If your fuel cap does not tighten properly, it may be damaged or broken. Stop using the power tool and take it to your authorized STIHL dealer for repair.


### Vapor Lock



#### WARNING

Vapor lock occurs when fuel in the fuel line or carburetor vaporizes, causing bubbles to block the free flow of liquid fuel into the carburetor. Vapor lock cannot be relieved or affected by opening the fuel tank. Removing the fuel filler cap without first allowing the power tool to cool adequately can result in fuel spraying. Always follow the instructions in this section when removing the fuel cap.

To relieve vapor lock:

- Press the manual fuel pump bulb at least 20 to 30 times – even if the bulb is already filled with fuel – to clear the vapor and send liquid fuel into the carburetor. Then start the power tool. For specific starting instructions, see the appropriate section of your instruction manual.
- If the manual fuel pump bulb will not be filled, place the Choke Knob to the starting throttle position  and pull the starter cord until the engine runs.
- If your power tool will not restart, or if vapor lock occurs again, the power tool is being used in conditions too extreme for the fuel being used. Discontinue use and let the engine cool completely before attempting to start the power tool.

### 3.3.4 Before Operation

Take off the transport guard and inspect the power tool for proper condition and operation. (See the maintenance chart near the end of the instruction manual.)



#### WARNING

Always check your power tool for proper condition and operation before starting, particularly the throttle trigger, throttle trigger lockout, stop switch, cutting attachment, deflector and harness. The throttle trigger must move freely and always spring back to the idle position. Never attempt to modify the controls or safety devices.

**! WARNING**

Check fuel system for leaks, especially the visible parts, e.g., filler cap, hose connections, manual fuel pump (only for power tools equipped with a manual fuel pump). Do not start the engine if there are leaks or damage – risk of fire. Have the power tool repaired by a STIHL servicing dealer before using it.

**! WARNING**

Never operate your power tool if it is damaged, improperly adjusted or maintained, or not completely and securely assembled.

**! WARNING**

Check that the spark plug boot is securely mounted on the spark plug – a loose boot may cause arcing that could ignite combustible fumes and cause a fire.

**! WARNING**

Do not mount any cutting attachment to a unit without proper installation of all required parts. Failure to use the proper parts may cause the blade or head to fly off and seriously injure the operator or bystanders.

**! WARNING**

The cutting attachment must be properly tightened and not damaged. Inspect for loose parts (nuts, screws, etc.) and for cracked or damaged heads or cracked, bent, warped or damaged blades. Replace damaged heads or blades before using the power tool. Always keep blades sharp.

Keep the handles clean and dry at all times; it is particularly important to keep them free of moisture, pitch, oil, fuel mix, grease or resin in order for you to maintain a firm grip and properly control your power tool.

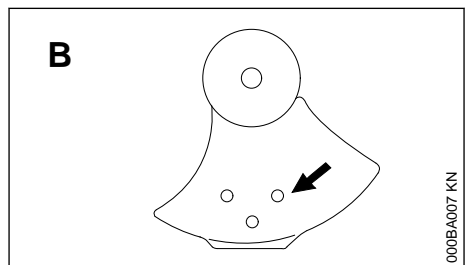
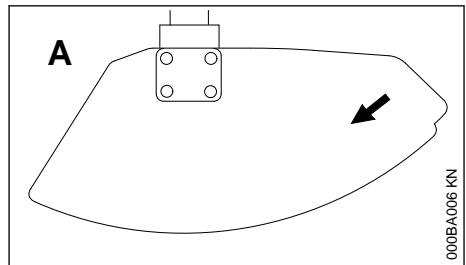
**! WARNING**



To reduce the risk of personal injury to the operator from blade or line contact and thrown objects, make sure your unit is equipped with the proper deflector or limit stop, handle and harness for the type of cutting attachment being used (see chart in the chapter on "Approved Combinations of Cutting Attachment, Deflector, Limit Stop, Handle and Harness".)

As can be seen in that chart, some cutting attachments may require you to change your deflector, limit stop, handle and / or harness.

Keep the deflector (and the attached skirt where appropriate) adjusted properly at all times (see chapters on "Mounting the Deflector" and "Mounting the Cutting Attachment" of your instruction manual.)



Arrows on the deflector (A) and limit stop (B) (as seen from the underside) show the correct direction of rotation of the cutting attachment. When viewed from above, however, the cutting attachment rotates counterclockwise.

Adjust carrying harness and hand grip to suit your size before starting work. The machine should be properly balanced as specified in your instruction manual for proper control and less fatigue in operation. To be better prepared in case of an emergency, practice releasing the unit from the harness as quickly as possible.

For specific starting instructions, see the appropriate section of your instruction manual.

### 3.3.5 Starting

Start the engine at least 10 feet (3 m) from the fueling spot, outdoors only.

For specific starting instructions, see the appropriate section of your manual. Place the power tool on firm ground or other solid surface in an open area. Maintain good balance and secure footing.



#### WARNING

To reduce the risk of injury from blade or line contact, be absolutely sure that the cutting attachment is clear of you and all other obstructions and objects, including the ground, because when the engine starts at starting-throttle, engine speed will be fast enough for the clutch to engage and move the cutting attachment.

Once the engine has started, immediately blip the throttle trigger, which should release the starting throttle and allow the engine to slow down to idle.

With the engine running only at idle, attach the power tool to the spring hook of your harness (see appropriate chapter of this manual).



#### WARNING

Your power tool is a one-person machine. Do not allow other persons in the general work area, even when starting.



#### WARNING

To reduce the risk of injury from loss of control, do not attempt to "drop start" your power tool.



#### WARNING

When you pull the starter grip, do not wrap the starter rope around your hand. Do not let the grip snap back, but guide the starter rope to rewind it properly. Failure to follow this procedure may result in injury to your hand or fingers and may damage the starter mechanism.

### 3.3.6 Important Adjustments



#### WARNING

To reduce the risk of personal injury from loss of control or contact with the running cutting attachment, do not use your unit with incorrect idle adjustment. At correct idle speed, the cutting attachment should not move. For directions on how to adjust idle speed, see the appropriate section of your instruction manual.

If you cannot set the correct idle speed, have your STIHL dealer check your power tool and make proper adjustments and repairs.

### 3.3.7 During Operation

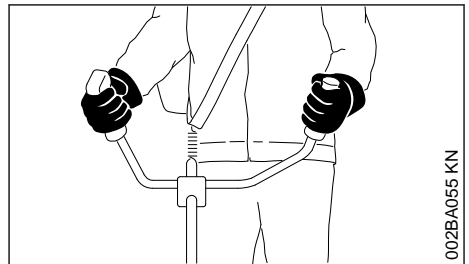
#### Holding and Controlling the Power Tool

Always hold the unit firmly with both hands on the handles while you are working.

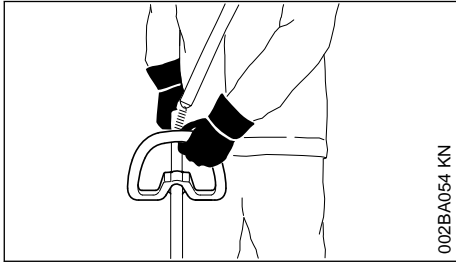
Wrap your fingers and thumbs around the handles, keeping the handles cradled between your thumb and forefinger. Keep your hands in this position to have your power tool under control at all times. Make sure your trimmer handles and grips are in good condition and free of moisture, pitch, oil, fuel mix or grease.

Make sure you always have good balance and secure footing.

#### Models with bike handle



Right hand on control handle, left hand on left handle.

**Models with loop handle**

Left hand on loop handle, right hand on control handle, even if you are left-handed.

 **WARNING**


Never attempt to operate your power tool with one hand. Loss of control of the power tool resulting in serious or fatal injury may result. To reduce the risk of cut injuries, keep hands and feet away from the cutting attachment. Never touch a moving cutting attachment with your hand or any other part of your body.

 **WARNING**

Do not overreach. Keep proper footing and balance at all times. Special care must be taken in slippery conditions (wet ground, snow) and in difficult, overgrown terrain. Watch for hidden obstacles such as tree stumps, roots and ditches to avoid stumbling. For better footing, clear away scrub and cuttings. Be extremely cautious when working on slopes or uneven ground.

 **WARNING**

To reduce the risk of injury from loss of control, never work on a ladder or on any other insecure support. Never hold the cutting attachment above waist height.

**3.3.8 Working Conditions**

Operate and start your power tool only outdoors in a well ventilated area. Operate it under good visibility and daylight conditions only. Work carefully.

 **WARNING**


As soon as the engine is running, this product generates toxic exhaust fumes containing chemicals, such as unburned hydrocarbons (including benzene) and carbon monoxide, that are known to cause respiratory problems, cancer, birth defects, or other reproductive harm. Some of the gases (e.g. carbon monoxide) may be colorless and odorless. To reduce the risk of serious or fatal injury / illness from inhaling toxic fumes, never run the machine indoors or in poorly ventilated locations.

 **WARNING**

If the vegetation being cut or the surrounding ground is coated with a chemical substance (such as an active pesticide or herbicide), read and follow the instructions and warnings that accompanied the substance at issue.

 **WARNING**

Inhalation of certain dusts, especially organic dusts such as mold or pollen, can cause susceptible persons to have an allergic or asthmatic reaction. Substantial or repeated inhalation of dust and other airborne contaminants, in particular those with a smaller particle size, may cause respiratory or other illnesses. Control dust at the source where possible. Use good work practices, such as operating the unit so that the wind or operating process directs any dust raised by the power tool away from the operator. Follow the recommendations of EPA / OSHA / NIOSH and occupational and trade associations with respect to dust ("particulate matter"). When the inhalation of dust cannot be substantially controlled, i.e., kept at or near the ambient (background) level, the operator and any bystanders should wear a respirator approved by NIOSH / MSHA for the type of dust encountered.

**3.3.9 Operating Instructions**
 **WARNING**

Do not operate your power tool using the starting throttle lock, as you do not have control of the engine speed.

In the event of an emergency, shut off the engine immediately by pressing the stop switch.

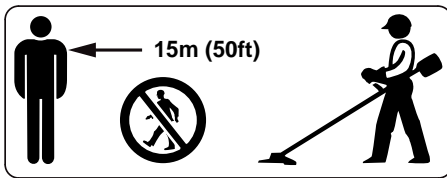
**! WARNING**



The cutting attachment continues to rotate for a short period after the throttle trigger is released (flywheel effect.)

**! WARNING**

The rotating cutting attachment may fling foreign objects directly or by ricochet a great distance.



To reduce the risk of eye and other injury always wear proper eye protection (see the chapter on "Proper Clothing") and ensure that bystanders are at least 50 feet (15 m) away. To reduce the risk of damage to property, also maintain this distance from such objects as vehicles or windows. Even maintaining a minimum distance of 15 meters cannot exclude the potential danger. Any coworkers who must be in the restricted area should also wear goggles or protective glasses. Stop the engine immediately if you are approached.

**! WARNING**



Inspect the work area: To reduce the risk of injury, remove stones, pieces of metal and other solid objects which could be thrown 15 meters or more by the cutting attachment or damage the cutting attachment and property (e.g. parked vehicles, windows).



**! WARNING**

This trimmer / brushcutter is normally to be used at ground level with the cutting attachment parallel to the ground. Use of a trimmer / brushcutter above ground level or with the cutting attachment perpendicular to the ground may increase the risk of injury, since the cutting attachment is more fully exposed and the power tool may be more difficult to control. Never use your trimmer / brushcutter as a hedge trimmer.

**! WARNING**

During cutting, check the tightness and the condition of the cutting attachment at regular short intervals with the engine and attachment stopped. If the behavior of the attachment changes during use, stop the engine immediately, wait until the cutting attachment stops, and check the nut securing the attachment for tightness and the blade or head for cracks, wear and damage.

**! WARNING**

A loose blade or head may vibrate, crack, break or come off the trimmer / brushcutter, which may result in serious or fatal injury. Make sure that the cutting attachment is properly tightened. Use the wrench supplied or one of sufficient length to obtain the proper torque. If the blade or head loosens after being properly tightened, stop work immediately. The retaining nut may be worn or damaged and should be replaced. If the blade or head continues to loosen, see your STIHL dealer. Never use a trimmer / brushcutter with a loose cutting attachment.

**! WARNING**

Replace a cracked, damaged or worn-out head or a cracked, bent, warped, damaged, dull or worn out blade immediately, even if damage is limited to superficial cracks. Such attachments may shatter at high speed and cause serious or fatal injury.

 **WARNING**

Some STIHL mowing heads have a metal core. High-speed contact with rock or other hard objects may create sparks, which can ignite flammable materials under certain circumstances. Flammable materials include dry vegetation and brush, particularly when weather conditions are hot and dry. When there is a risk of fire or wild-fire, do not use a mowing head with a metal core around dry vegetation or brush. Contact your local fire authorities or the U.S. Forest Service if you have any question about whether vegetation and weather conditions are suitable for the use of a mowing head with a metal core. STIHL does not recommend using a mowing head with a metal core when cutting in rocky areas or in areas with debris or other objects that could create sparks.

 **WARNING**

When using rigid blades, avoid cutting close to fences, sides of buildings, tree trunks, stones or other such objects that could cause the power tool to kick out or could cause damage to the blade. STIHL recommends use of the nylon line heads for such jobs. In addition, be alert to an increased possibility of ricochets in such situations.

 **WARNING**

If a rotating metal blade strikes a rock or other hard object, sparks may be created, which can ignite flammable materials under certain circumstances. Flammable materials can include dry vegetation and brush, particularly when weather conditions are hot and dry. When there is a risk of fire or wildfire, do not use metal blades around flammable materials or around dry vegetation or brush. Contact your local fire authorities or the U.S. Forestry Service if you have any question about whether vegetation and weather conditions are suitable for the use of a metal blade.

 **WARNING**

If the head, blade or deflector becomes clogged or stuck, always shut off the engine and make sure the cutting attachment has stopped before cleaning. Grass, weeds, etc. should be cleaned off the blade or from around the head at regular intervals.

 **WARNING**

To reduce the risk of unintentional rotation of the cutting attachment and injury, always shut off the engine and remove the spark plug boot before replacing the cutting attachment. To reduce the risk of injury, always shut off the engine before adjusting the length of the nylon line on manually adjustable mowing heads.

 **WARNING**

The gearbox becomes hot during operation. To reduce the risk of burn injury, do not touch the gear housing when it is hot.

 **WARNING**

Never modify your muffler. Any modification could cause an increase in heat radiation, sparks or sound level, thereby increasing the risk of fire, burn injury or hearing loss. You may also permanently damage the engine. Have your muffler serviced and repaired by your STIHL servicing dealer only.

 **WARNING**

The muffler and other parts of the engine (e.g. fins of the cylinder, spark plug) become hot during operation and remain hot for a while after stopping the engine. To reduce risk of burns, do not touch the muffler and other parts while they are hot. Keep the area around the muffler clean. Remove excess lubricant and all debris such as pine needles, branches or leaves. Let the engine cool down sitting on concrete, metal, bare ground or solid wood (away from any combustible substances).

## WARNING

An improperly mounted or damaged cylinder housing or a damaged/deformed muffler shell may interfere with the cooling process of the muffler. To reduce the risk of fire or burn injury, do not continue work with a damaged or improperly mounted cylinder housing or a damaged/deformed muffler shell.

Your muffler is furnished with a spark arresting screen designed to reduce the risk of fire from the emission of hot particles. Never operate your unit with a missing or damaged spark arresting screen. If your gas/oil mix ratio is correct (i.e., not too rich), this screen will normally stay clean as a result of the heat from the muffler and need no service or maintenance. If you experience loss of performance and you suspect a clogged screen, have your muffler maintained by a STIHL servicing dealer. Some state or federal laws or regulations may require a properly maintained spark arrester for certain uses. See the "Maintenance, Repair and Storing" section of these Safety Precautions. Remember that the risk of a brush or forest fire is greater in hot or dry conditions.

## WARNING



Some STIHL power tools are equipped with a catalytic converter, which is designed to reduce the exhaust emissions of the engine by a chemical process in the muffler. Due to this process, the muffler does not cool down as rapidly as conventional mufflers when the engine returns to idle or is shut off. To reduce the risk of fire and burn injuries when using a catalytic converter, always set your power tool down in the upright position and never locate it where the muffler is near dry brush, grass, wood chips or other combustible materials while it is still hot.

## 3.4 USING THE CUTTING ATTACHMENT

For an illustration of the various cutting attachments and instructions on proper mounting see the chapter on "Mounting the Cutting Attachment" in your instruction manual.

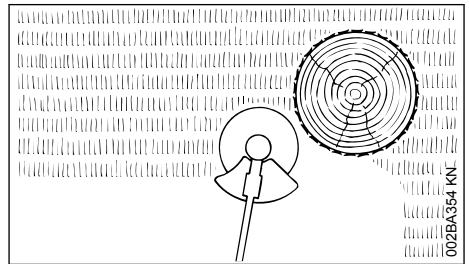
## WARNING

To reduce the risk of severe or fatal injury from blade contact and / or loss of control, never attempt to use a metal blade on an FS model for which it is not authorized.

### 3.4.1 Using the Mowing Heads

Do not use with mowing line longer than the intended length. With a properly mounted deflector, the built-in line-limiting blade will automatically adjust the line to its proper length.

Using the unit with an overly long nylon cutting line increases the load on the engine and reduces its operating speed. This causes the clutch to slip continuously and results in overheating and damage to important components (e.g. clutch, polymer housing components). Such damage could, among other things, cause the cutting attachment to rotate at idle.



Mowing heads are to be used only on trimmers / brushcutters equipped with a line-limiting blade in the deflector in order to keep the line at the proper length (see "Main Parts" chapter in your instruction manual).

If the lawn edges are planted with trees or bordered by a fence etc., it is best to use a nylon line head. It achieves a "softer" cut with less risk of damaging tree bark etc. than polymer blades.

However, the polymer-bladed STIHL PolyCut produces a better cut if there are no plants along the edge of the lawn. Sharpening is not necessary, and worn polymer blades are easily replaced.

## WARNING

To reduce the risk of serious injury, never use wire or metal-reinforced line or other material in place of the nylon cutting lines. Pieces of wire could break off and be thrown at high speed toward the operator or bystanders.

### STIHL SuperCut mowing head

Fresh line is advanced automatically. Frayed line is replaced by a simple adjustment (see instruction sheet supplied with mowing head).

### STIHL AutoCut mowing head

Nylon cutting line advances automatically when tapped against the ground (TapAction).

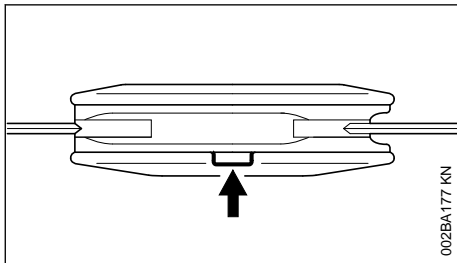
### STIHL TrimCut mowing head

Frayed line is replaced by a simple adjustment (see instruction sheet supplied with mowing head).

### STIHL PolyCut mowing head

Uses either nylon lines or nonrigid, pivoting polymer blades.

Observe wear indicators.



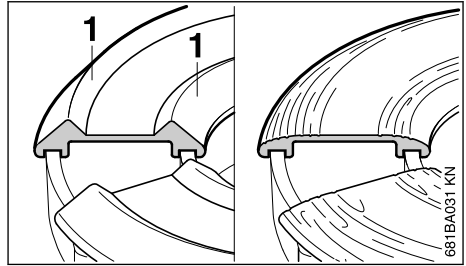
## WARNING

Three rectangular wear limit marks are applied to the base (periphery) of the PolyCut. To reduce the risk of serious injury from breakage of the head or blades, the PolyCut must not be used when it has worn as far as one of these marks. It is important to follow the maintenance instructions supplied with the head.

### STIHL FixCut mowing head

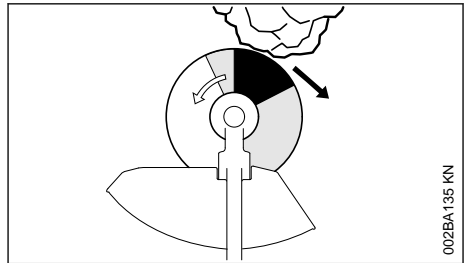
Uses pre-cut lengths of nylon line.

Observe wear indicators.



Do not continue using the mowing head if the raised moldings (1) on the base are missing or worn – see right illustration above. The mowing head may otherwise shatter and flying objects could result in injury to the operator or bystanders. Install a new mowing head.

### 3.4.2 Risk of Kickout (Blade Thrust) with all Rigid Cutting Blades



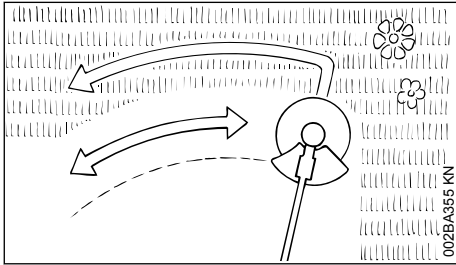
## WARNING



Kickout (blade thrust) is the sudden and uncontrolled motion towards the operator's right or rear that can occur when the shaded area (especially the darkly shaded area) of a rotating blade comes in contact with a solid rigid object like a tree, rock, bush or wall. The rapid counter-clockwise rotation of the blade may be stopped or slowed, and the cutting attachment may be thrown to the right or to the rear.

This kickout (blade thrust) may cause loss of control of the power tool and may result in serious or fatal injury to the operator or bystanders. To reduce the risk of injury, extreme caution should be used when cutting with the shaded area of any rigid blade.

### 3.4.3 Using the Grass Cutting Blade



All kinds of grass and weeds can be easily cut with the grass cutting blade. The power tool is swept in an arc similar to a scythe.

#### **!** WARNING

To reduce the risk of serious or fatal injury from blade breakage, never attempt to use this blade to cut woody materials.

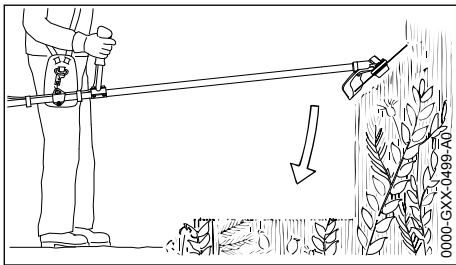
The 4-tooth grass cutting blade is intended to cut grass and weeds. It has 4 cutting knives with cutting edges on both sides, i.e. front and rear. When the cutting edges on one side become dull, the blade can be turned over to utilize the cutting edges on the other side.

The 8-tooth grass cutting blade is recommended for cutting fern or reed.

Both types of grass cutting blade have to be resharpened when all cutting edges are dull.

### 3.4.4 Using the Brush Knife

When fitted to the power tool, the brush knife is suitable for applications ranging from cutting matted grass to clearing weeds, wild growth and scrub.



To cut wild growth and scrub, lower the rotating brush knife down onto the growth to achieve a chopping effect – but keep the tool below waist height at all times.

#### **!** WARNING

Exercise extreme caution when using this method of cutting. The higher the cutting attachment is off the ground, the greater the risk of loss of control and of cuttings being thrown sideways.

Use the power tool like a scythe to cut grass, i.e. sweep it to and fro in an arc.

#### **!** WARNING

When cutting woody materials, use the left side of the blade to avoid "kickout" (blade thrust) situations.

#### **!** WARNING

Improper use of a brush knife may cause it to crack, chip or shatter. Thrown blade fragments may seriously or fatally injure the operator or bystanders. To reduce the risk of injury, avoid contact with hard or solid foreign objects such as stones, rocks or pieces of metal.

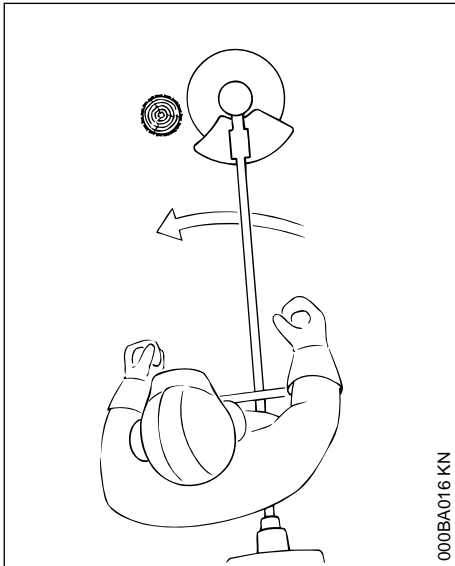
#### **!** WARNING

When cutting young saplings or other woody materials up to 2 cm (3/4 in.) in diameter, use the left side of the blade to avoid "kickout" situations (see section on "Risk of kickout (blade thrust) with all rigid cutting blades"). Do not attempt to cut woody material with a larger diameter, since the blade may catch or jerk the power tool forward. This may cause damage to the blade or power tool or loss of control of the power tool, resulting in personal injury. Use a circular saw blade for such work.

#### **!** WARNING

Inspect the brush knife at regular short intervals for signs of damage. Do not continue working with a damaged brush knife. Resharpen the brush knife regularly (when it has dulled noticeably).

### 3.4.5 Using the Circular Saw Blade



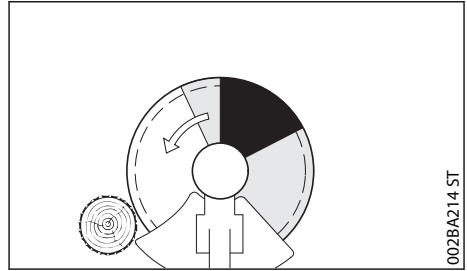
000BA016 KN

Circular saw blades are suitable for thinning brush and cutting small trees up to a diameter of 4 cm (1 1/2 in.). Do not attempt to cut trees with larger diameters, since the blade may catch or jerk the trimmer / brushcutter forward. This may cause damage to the blade or loss of control of the power tool and result in serious injury. Use a chain saw for such work.

#### WARNING

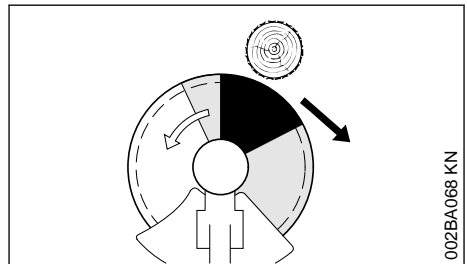
To reduce the risk that the blade will crack and / or break, avoid all contact with stones, rocks or the ground. Sharpen blades in a timely manner as specified – dull teeth may cause the blade to crack or shatter.

When a trimmer / brushcutter with a circular saw blade is used to cut down small trees, STIHL recommends that the standard deflector be removed and replaced by the special limit stop deflector (see chapter on "Mounting the Deflector"). This limit stop helps to keep the unit positioned against the tree during the cutting process. Inexperienced users should place the left side of the stop against the tree trunk before beginning to cut. This will keep the trimmer / brushcutter against the tree during the cutting operation and will reduce the risk of loss of control and possible kickout (described above and briefly again below).



002BA214 ST

Before starting the cut, accelerate the engine up to full throttle. Perform cut with uniform pressure. STIHL recommends that the circular saw blade be applied to the right of the tree, using the non-shaded area of the blade, as shown in the illustration above.



002BA068 KN

#### WARNING

The risk of kickout is highest when cutting in the darker shaded area. To reduce the risk of kickout and resulting injury, do not use this area of the circular saw blade for cutting trees or shrubs. Special techniques using the lighter shaded areas of the blade to cut shrubs and trees should only be used by experienced operators with specialized training in the use and control of the trimmer / brushcutter.

#### WARNING

To reduce the risk of loss of control and serious injury to the operator or bystanders by a kickout, never use a circular saw blade on a trimmer / brushcutter with a loop handle, but rather only on one with a bicycle handle.

When felling small trees, maintain a distance of at least two tree lengths from the nearest coworker.

 **WARNING**

In order to reduce the risk of injury from thrown objects or operator contact with the blade or head, be sure to remount the standard deflector when no longer using a circular saw blade.

### 3.5 MAINTENANCE, REPAIR AND STORING

Maintenance, replacement, or repair of the emission control devices and systems may be performed by any nonroad engine repair establishment or individual. However, if you make a warranty claim for a component which has not been serviced or maintained properly, STIHL may deny coverage.

 **WARNING**

Use only identical STIHL replacement parts for maintenance and repair. Use of non-STIHL parts may cause serious or fatal injury.

Strictly follow the maintenance and repair instructions in the appropriate sections of your instruction manual.

 **WARNING**

Always stop the engine and make sure that the cutting attachment is stopped before doing any maintenance or repair work or cleaning the power tool. Do not attempt any maintenance or repair work not described in your instruction manual. Have such work performed by your STIHL servicing dealer only.

Wear gloves when handling or performing maintenance on blades.

 **WARNING**

Use the specified spark plug, and make sure it and the ignition lead are always clean and in good condition. Always press the spark plug boot snugly onto the spark plug terminal of the proper size. (Note: If the terminal has a detachable SAE adapter nut, it must be securely attached.) A loose connection between the spark plug and the ignition wire connector in the boot may create arcing that could ignite combustible fumes and cause a fire.

 **WARNING**

Never test the ignition system with the spark plug boot removed from the spark plug or with a removed spark plug, since uncontained sparking may cause a fire.

 **WARNING**

Do not operate your power tool if the muffler is damaged, missing or modified. An improperly maintained muffler will increase the risk of fire and hearing loss. Your muffler is equipped with a spark-arresting screen to reduce the risk of fire; never operate your power tool if the screen is missing, damaged or clogged. Remember that the risk of a brush or forest fire is greater in hot or dry weather.

In California, it is a violation of § 4442 or § 4443 of the Public Resources Code to use or operate gasoline-powered tools on forest-covered, brush-covered or grass-covered land unless the engine's exhaust system is equipped with a complying spark arrester that is maintained in effective working order. The owner/operator of this product is responsible for properly maintaining the spark arrester. Other states or governmental entities/agencies, such as the U.S. Forest Service, may have similar requirements. Contact your local fire agency or forest service for the laws or regulations relating to fire protection requirements.

 **WARNING**

Never repair damaged cutting attachments by welding, straightening or modifying the shape. This may cause parts of the cutting attachment to come off and result in serious or fatal injuries.

Keep blades sharp. Tighten all nuts, bolts and screws, except the carburetor adjustment screws, after each use.

Do not clean your machine with a pressure washer. The solid jet of water may damage parts of the machine.

Store the power tool in a dry and high or locked location out of reach of children.

Before storing for longer than a few days, always empty the fuel tank. See chapter "Storing the Machine" in the instruction manual.

## 4 Approved Combinations of Cutting Attachment, Deflector, Limit Stop, Handle, Harness

Cutting Attachment	Deflector, Limit Stop	Handle	Shoulder Strap/ Harness

### 4.1 Approved Combinations

The complete combination includes:

- Cutting Attachment
- Deflector or limit stop
- Handle
- Shoulder Strap/Harness

Select correct combination from the table according to the cutting attachment you intend to use.

#### WARNING

To reduce the risk of injury, only the cutting attachments, deflectors or limit stops, handles and harnesses shown in each row of the table may be used together. No other combinations are permitted.

### 4.2 Cutting Attachments

#### 4.2.1 Mowing heads

- 1 STIHL SuperCut 20-2
- 2 STIHL AutoCut C 25-2
- 3 STIHL AutoCut C 26-2
- 4 STIHL AutoCut 25-2 / AutoCut 27-2
- 5 STIHL AutoCut 36-2
- 6 STIHL FixCut 31-2
- 7 STIHL TrimCut 31-2
- 8 STIHL TrimCut C 32-2
- 9 STIHL DuroCut 20-2
- 10 STIHL PolyCut 18-2
- 11 STIHL PolyCut 28-2

#### 4.2.2 Metal cutting attachments

- 12 Grass cutting blade 230-4  
(230 mm dia.)
- 13 Grass cutting blade 230-8  
(230 mm dia.)
- 14 Brush knife 250-3  
(250 mm dia.)
- 15 Scratcher tooth circular saw blade 200  
(200 mm dia.)
- 16 Chisel tooth circular saw blade 200-22  
(4112), Chisel tooth circular saw blade  
200-22 HP (4001)

#### WARNING

Non-metal grass cutting blades, brush knives and circular saw blades are not approved.

#### 4.3 Deflectors, Limit Stop

- 17 Deflector for mowing heads
- 18 Deflector with
- 19 skirt and blade, for mowing heads
- 20 Deflector without skirt and blade, for metal  
cutting attachments 11 to 13
- 21 Limit stop for circular saw blades

#### 4.4 Handles

- 22 Loop handle
- 23 Loop handle with
- 24 barrier bar
- 25 Bicycle handle

#### 4.5 Harness

- 26 Shoulder strap may be used
- 27 Shoulder strap must be used
- 28 Full harness may be used
- 29 Full harness must be used

#### WARNING

Based on the cutting attachment being used:

Choose the proper deflector in order to reduce the risk of serious personal injury from thrown objects and contact with the cutting attachment.

Make sure your unit is equipped with the proper handle and harness in order to reduce the risk of serious personal injury from loss of control and contact with the cutting attachment.

To reduce the risk of serious personal injury from contact with the cutting attachment, use grass cutting metal blades and brush knives on this unit only if equipped with a bike handle or a loop handle with barrier bar. Use circular saw blades on this unit only if equipped with a bike handle.

Do not use rigid polymer blades on this unit.

## 5 Approved Power Tool Attachments

The following STIHL attachments may be mounted on the basic power tool:

Attachment	Application
BF	Cultivator
HL 145° <sup>1)</sup>	Long reach hedge trimmer
HT <sup>1)</sup>	Pole pruner
KB (4601) <sup>1)</sup>	Bristle brush
RG <sup>2)</sup>	Weeder
KW (4601) <sup>1)</sup>	PowerSweep

## 6 Mounting the Bike Handle

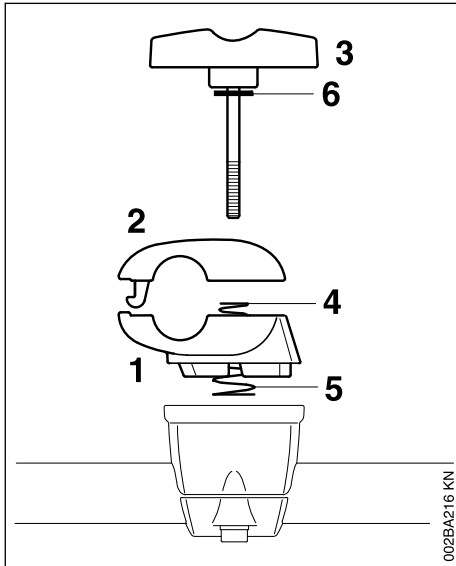
### 6.1 Mounting Bike Handle with Swiveling Handle Support

The machine is supplied with the swiveling handle support already mounted on the shaft. To mount the handlebar it is necessary to remove the clamp moldings.

<sup>1)</sup> not approved for bike-handled machines

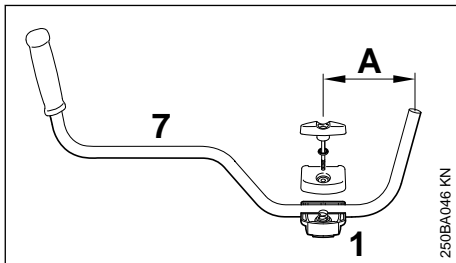
<sup>2)</sup> use barrier bar on loop-handled machines

## 6.1.1 Removing the Clamp Moldings

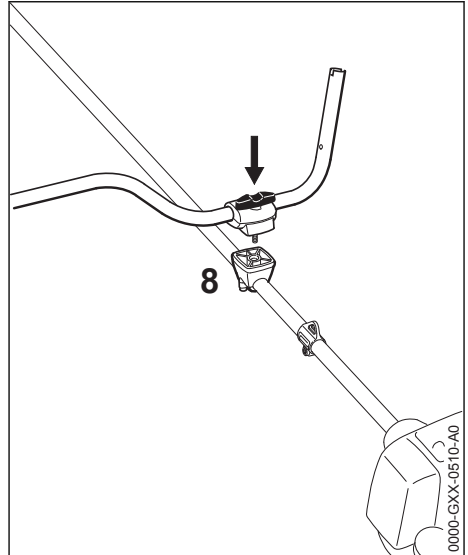


- ▶ Hold the lower clamp (1) and upper clamp (2) firmly together.
- ▶ Release the wing screw (3) – the clamps are loose once the wing screw has been released. They are pushed apart by the two springs (4 and 5).
- ▶ Pull out the wing screw – the washer (6) remains on the wing screw.
- ▶ Separate the clamp moldings – the springs (4 and 5) remain in the lower clamp.

## 6.1.2 Securing the Handlebar



- ▶ Place the handlebar (7) in the lower clamp (1) so that distance A is no more than 15 cm (6 in).
- ▶ Place the upper clamp in position and hold both clamp moldings together.
- ▶ Push the wing screw through the two clamps as far as stop – hold all parts together and secure them.

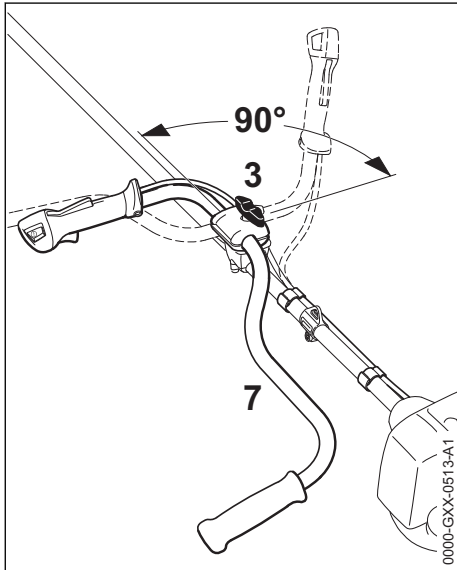


- ▶ Place the secured assembly on the handle support (8) with the wing screw at the side nearest the engine.
- ▶ Push the wing screw into the handle support as far as stop and then screw it down – but do not finally tighten yet.
- ▶ Line up the handlebar at a right angle to the drive tube – check distance A again.
- ▶ Tighten down the wing screw firmly.



## 6.1.6 Swiveling the Handlebar

## Transport position



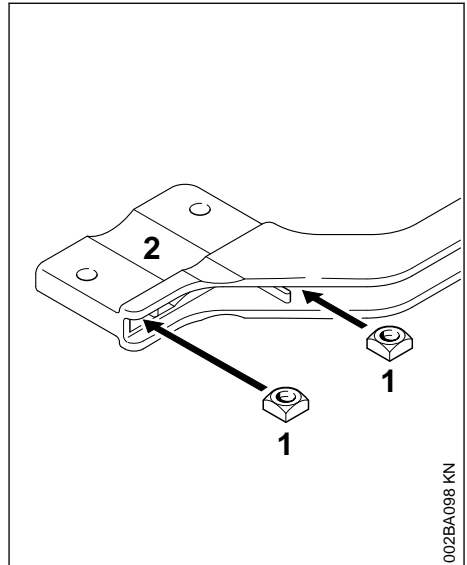
- ▶ Loosen the wing screw (3) and unscrew it until the handlebar (7) can be rotated.
- ▶ Rotate the handlebar 90° counterclockwise and then swing the handles down.
- ▶ Tighten down the wing screw (3) firmly.

## Working position

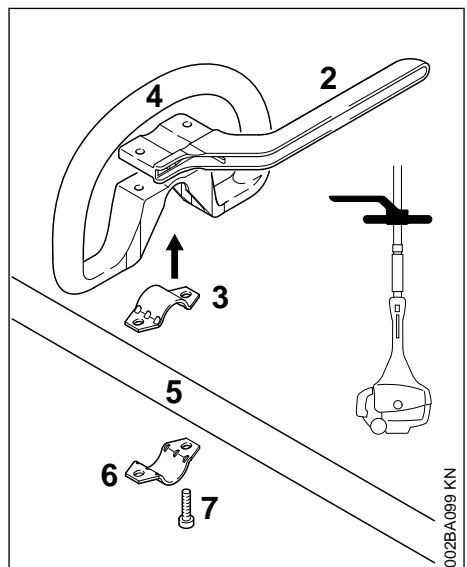
- ▶ Reverse the sequence described above to swing the handles up and turn the handlebar clockwise.

## 7 Mounting the Loop Handle

## 7.1 Mounting Loop Handle with Barrier Bar



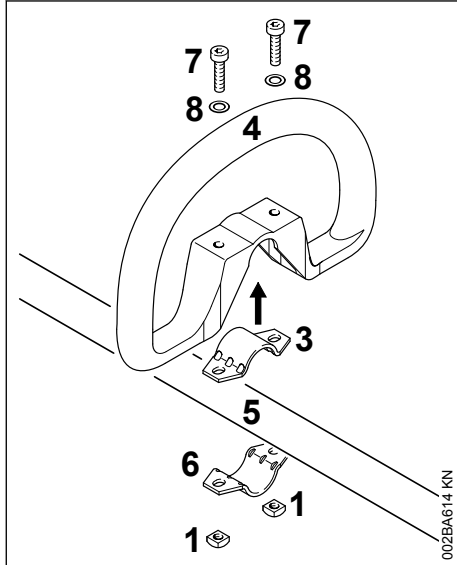
- ▶ Fit the square nuts (1) in the barrier bar (2); the holes must line up.



- ▶ Place the clamp (3) in the loop handle (4) and position them both against the drive tube (5).
- ▶ Position the clamp (6) against the drive tube.

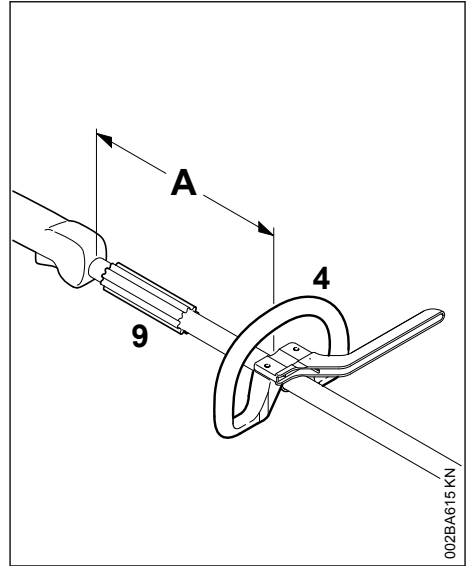
- ▶ Place the barrier bar (2) in position as shown.
- ▶ Line up the holes.
- ▶ Insert the screws (7) in the holes and screw them into the barrier bar (2) as far as stop.
- ▶ Go to "Securing the Loop Handle".

## 7.2 Mounting the Loop Handle without Barrier Bar



- ▶ Place the clamp (3) in the loop handle (4) and position them both against the drive tube (5).
- ▶ Position the clamp (6) against the drive tube.
- ▶ Line up the holes.
- ▶ Fit washers (8) on the screws (7) and insert the screws in the holes. Fit the square nuts (1) and screw them down as far as stop.
- ▶ Go to "Securing the Loop Handle".

## 7.3 Securing the Loop Handle



The loop handle can be adjusted to suit the height and reach of the operator and the application by changing distance (A).

Recommendation: distance (A): about 20 cm (8 in)

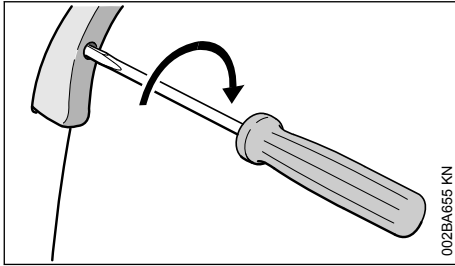
- ▶ Slide the handle to the required position.
- ▶ Line up the loop handle (4).
- ▶ Tighten down the screws until the loop handle can no longer be rotated on the drive tube. If no barrier bar is fitted – lock the nuts if necessary.

The sleeve (9) (not fitted on all models) must be between the loop handle and the control handle.

## 8 Adjusting the Throttle Cable

It may be necessary to correct the adjustment of the throttle cable after assembling the machine or after a prolonged period of operation.

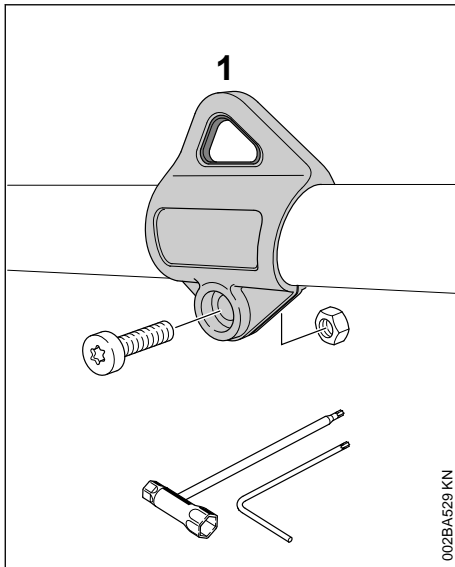
Adjust the throttle cable only when the unit is completely and properly assembled.



- ▶ Set the throttle trigger to the full throttle position.
- ▶ Carefully rotate the screw in the throttle trigger in the direction of the arrow until you feel initial resistance. Then rotate it another half turn in the same direction.

## 9 Fitting the Carrying Ring

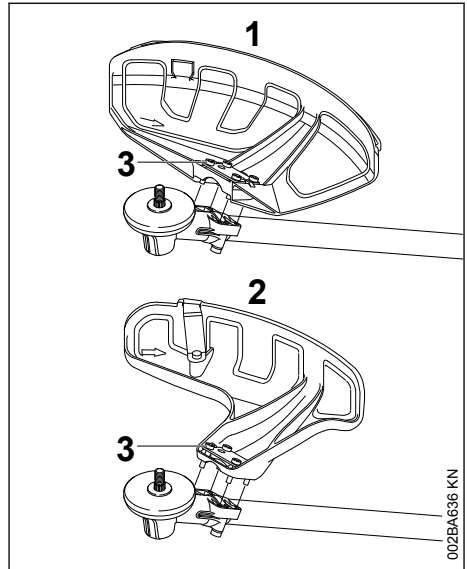
### 9.1 Polymer Version



- For position of carrying ring see "Main Parts".
- ▶ Push the carrying ring (1) over the drive tube.
  - ▶ Insert the M5 nut in the hex recess in the carrying ring.
  - ▶ Fit the M5x14 screw.
  - ▶ Line up the carrying ring.
  - ▶ Tighten down the screw firmly.

## 10 Mounting the deflector

### 10.1 Mounting the Deflector



- 1 Deflector for mowing attachments
- 2 Deflector for mowing heads

Deflectors (1 and 2) are both mounted to the gearbox in the same way.

- ▶ Place the deflector on the gearbox flange.
- ▶ Insert the screws (3) and tighten them down firmly.

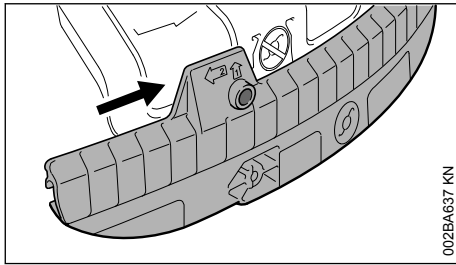
### 10.2 Fitting the Skirt and Blade



#### WARNING

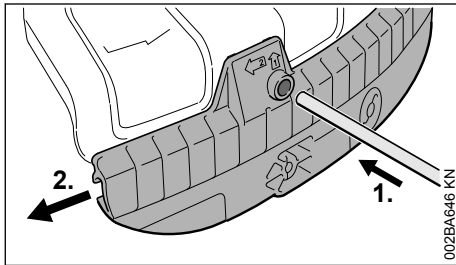
Risk of injury from thrown objects and contact with the cutting attachment. These parts must be fitted to the deflector (1) when you use a mowing head.

### 10.3 Fitting the Skirt



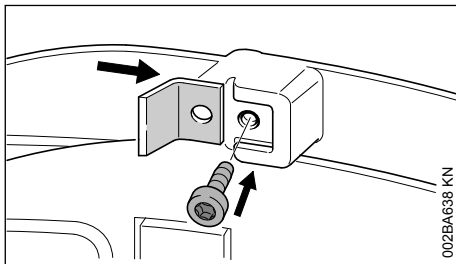
- ▶ Slide the lower guide slot of the skirt onto the deflector – it must snap into position.

### 10.4 Removing the Skirt



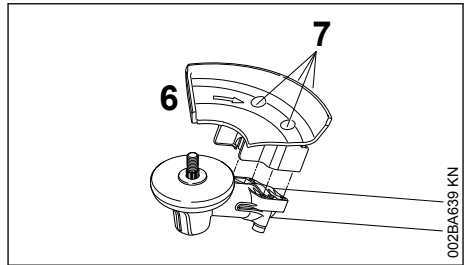
- ▶ Insert the stop pin into the hole in the skirt and use it to push the skirt to the left.
- ▶ Pull the skirt off the deflector.

### 10.5 Mounting the Blade



- ▶ Slide the line limiting blade into the guide on the skirt.
- ▶ Insert the screw and tighten it down firmly.

### 10.6 Mounting the Limit Stop



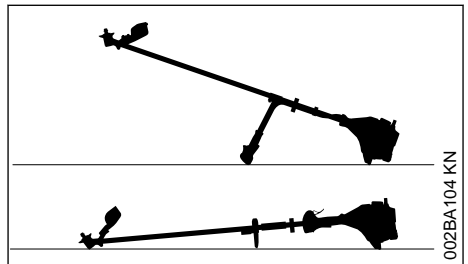
#### **! WARNING**

Risk of injury from thrown objects and contact with the cutting attachment. Always fit the limit stop (6) when you use a circular saw blade.

- ▶ Position the limit stop (6) on the gearbox flange.
- ▶ Insert the screws (7) and tighten them down firmly.

## 11 Mounting the Cutting Attachment

### 11.1 Placing power tool on the ground



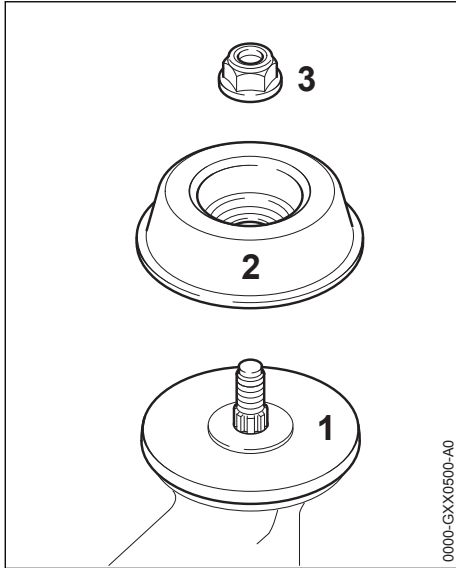
- ▶ Shut off the engine.
- ▶ Lay your power tool on its back so that the cutting attachment mounting face is pointing up.

### 11.2 Mounting Hardware for Cutting Attachments

The mounting hardware supplied depends on the cutting attachment that comes as original equipment with the new machine.

#### 11.2.1 Machine supplied with mounting hardware

Mowing heads and metal cutting attachments may be mounted.

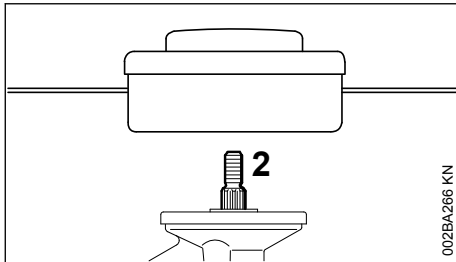


0000-GXX0500-A0

Depending on the cutting attachment, it may be necessary to use the nut (3) and rider plate (2). The thrust plate (1) must be used with all cutting attachments.

These parts are included in a kit supplied with the machine and are also available as special accessories.

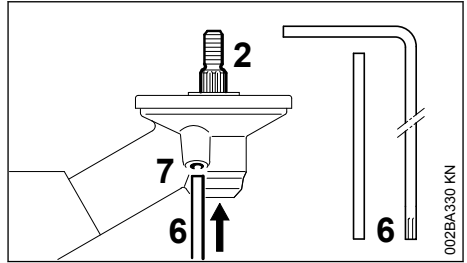
**11.2.2 Machine supplied without mounting hardware**



002BA266 KN

Only mowing heads may be used which mount directly to the shaft (2).

**11.3 Blocking the Shaft**

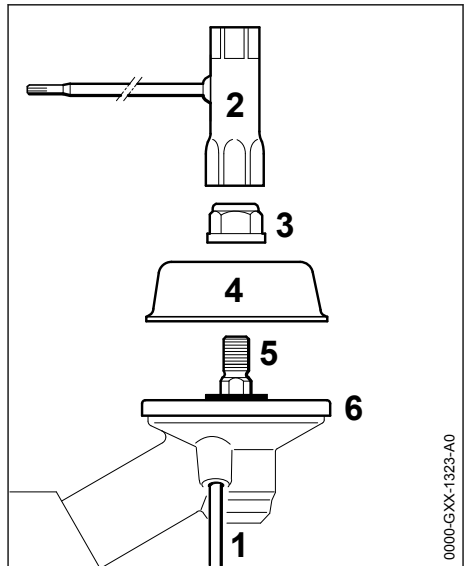


002BA330 KN

The output shaft (2) must be blocked with the stop pin (6) or screwdriver (6) to mount or remove cutting attachments. These parts come standard with the machine or are available as special accessories.

- ▶ Insert the stop pin (6) or screwdriver (6) in the hole (7) in the gearbox as far as stop – and apply slight pressure.
- ▶ Rotate shaft, nut or cutting attachment until the stop pin slips into position and blocks the shaft.

**11.4 Removing the Mounting Hardware**



0000-GXX-1323-A0

- ▶ Block the shaft (5) with the stop pin (1).
- ▶ Use the combination wrench (2) to loosen and remove the nut (3) clockwise (left-hand thread).
- ▶ Take the rider plate (4) off the shaft (5). Do not remove the thrust plate (6).

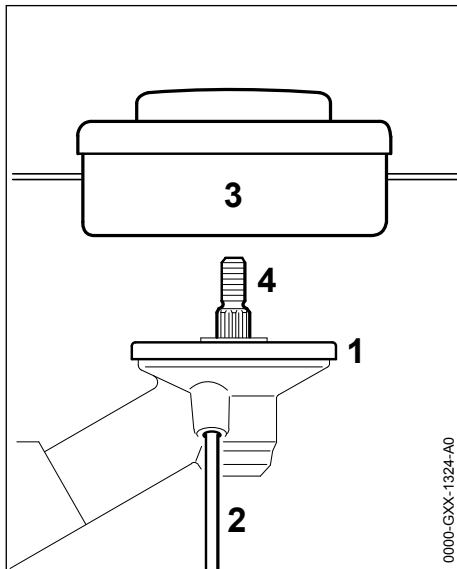
## 11.5 Mounting the Cutting Attachment

### WARNING

Risk of injury from thrown objects and contact with the cutting attachment. Use a deflector that matches the cutting attachment – see "Mounting the Deflector".

## 11.6 Fitting Mowing Head with Screw Mounting

Keep the instruction leaflet for the mowing head in a safe place.



- ▶ Fit the thrust plate (1).
- ▶ Screw the mowing head (3) counterclockwise on to the shaft (4) as far as stop.
- ▶ Block the shaft (4) with the stop pin (2).
- ▶ Tighten down the mowing head (3) firmly.

### NOTICE

Remove the tool used to block the shaft.

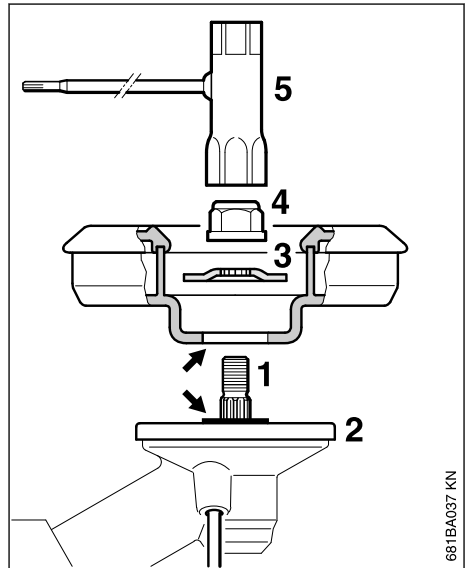
## 11.7 Remove the mowing head.

- ▶ Block the shaft (4) with the stop pin (2).
- ▶ Unscrew and remove the mowing head (3) clockwise.

## 11.8 Fitting Mowing Head without Screw Mounting

Keep the instruction leaflet for the mowing head in a safe place.

### 11.8.1 STIHL FixCut 31-2



- ▶ Fit the thrust plate (2).
- ▶ Place the mowing head on the thrust plate (2).

### WARNING

Collar (see arrows) must engage the mowing head's mounting hole.

- ▶ Push the thrust washer (3) (convex side up) over the shaft (1) until it is seated on the base.
- ▶ Block the shaft.
- ▶ Use the combination wrench (5) to screw the mounting nut (4) onto the output shaft and it tighten down firmly.

### WARNING

If the mounting nut has become too loose, fit a new one.

### NOTICE

Remove the tool used to block the shaft.

## 11.9 Removing the Mowing Head

- ▶ Block the shaft.

- ▶ Use the combination wrench to loosen and unscrew the mounting nut counterclockwise from the output shaft.

### 11.10 Mounting Metal Cutting Attachments

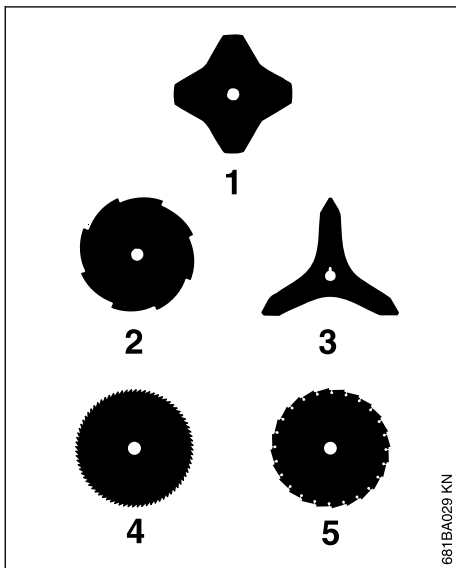
Keep the leaflet and packaging of the metal cutting attachment in a safe place.

#### **WARNING**

Wear protective gloves to reduce the risk of direct contact with the sharp cutting edges.

Mount only one metal cutting attachment.

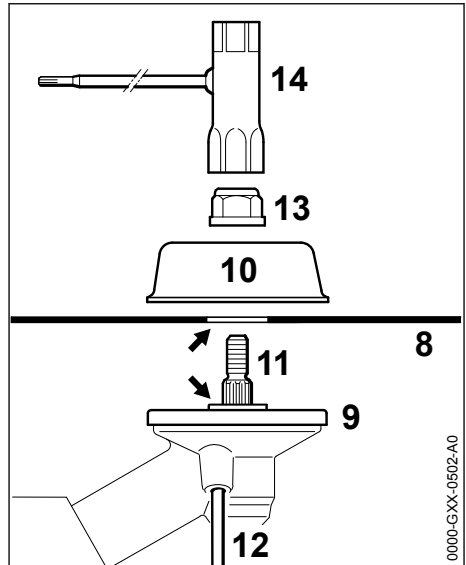
**Mount the cutting attachment the right way round**



Cutting attachments with 3 or 4 teeth (1, 3) may point in either direction – these cutting attachments must be turned over regularly to help avoid one-sided wear.

The cutting edges of cutting attachments 2, 4 and 5 must point clockwise.

Direction of rotation is indicated by an arrow on the inside of the deflector.



- ▶ Fit the thrust plate (9).
- ▶ Place the cutting attachment (8) on the thrust plate (9).

Collar (see arrow) must engage the cutting attachment's mounting hole.

#### **Securing the Cutting Attachment**

- ▶ Fit the rider plate (10).
- ▶ Block the shaft (11) with the stop pin (12).
- ▶ Use the combination wrench (14) to screw the mounting nut (13) on to the output shaft counterclockwise and tighten it down firmly.

#### **WARNING**

There is a risk of injury if the cutting attachment works loose. If the mounting nut has become too loose, fit a new one.

#### **NOTICE**

Remove the tool used to block the shaft.

### 11.11 Removing the Metal Cutting Attachment

#### **WARNING**

Wear protective gloves to reduce the risk of direct contact with the sharp cutting edges.

- ▶ Block the shaft (11) with the stop pin (12).
- ▶ Unscrew the mounting nut (13) clockwise.

- ▶ Remove cutting attachment and its mounting hardware from the gearbox – but do not remove the thrust plate (9).

## 12 Fuel

This engine is certified to operate on unleaded gasoline and the STIHL two-stroke engine oil at a mix ratio of 50:1.

Your engine requires a mixture of high-quality gasoline and two-stroke air cooled engine oil.

Use mid-grade unleaded gasoline with a minimum octane rating of 89 ((R+M)/2) and no more than 10% ethanol content.

Fuel with an octane rating below 89 may increase engine temperatures. This, in turn, increases the risk of piston seizure and damage to the engine.

The chemical composition of the fuel is also important. Some fuel additives not only detrimentally affect elastomers (carburetor diaphragms, oil seals, fuel lines, etc.), but magnesium castings and catalytic converters as well. This could cause running problems or damage the engine. For this reason STIHL recommends that you use only quality unleaded gasoline.

Gasoline with an ethanol content of more than 10% can cause running problems and major damage in engines and should not be used.

For further details, see

[www.STIHLusa.com/ethanol](http://www.STIHLusa.com/ethanol)

The ethanol content in gasoline affects engine speed – it may be necessary to readjust the carburetor if you use fuels with various ethanol contents.



### WARNING

To reduce the risk of personal injury from loss of control and / or contact with the running cutting tool, do not use your unit with incorrect idle adjustment. At correct idle speed, the cutting tool should not move.

If your power tool's idle speed is incorrectly adjusted, have your authorized STIHL servicing dealer check your machine and make the proper adjustments and repairs.

The idle speed and maximum speed of the engine change if you switch from a fuel with a certain ethanol content to another fuel with a much higher or lower ethanol content.

This problem can be avoided by always using fuel with the same ethanol content.

To ensure the maximum performance of your STIHL engine, use a high quality 2-cycle engine oil, such as STIHL 2-cycle engine oils. STIHL 2-cycle engine oils are specially designed for STIHL engines. To help your engine run cleaner and reduce harmful carbon deposits, STIHL recommends using STIHL HP Ultra 2-cycle engine oil, or use an equivalent high quality 2-cycle engine oil.

To meet the requirements of EPA and CARB we recommend to use STIHL HP Ultra oil or equivalent.

Do not use NMMA or TCW rated (two-stroke water cooled) mix oils or other mix oils that state they are for use in both water cooled and air cooled engines (e.g., outboard motors, snowmobiles, chain saws, mopeds, etc.).

Take care when handling gasoline. Avoid direct contact with the skin and avoid inhaling fuel vapor. When filling at the pump, first remove the container from your vehicle and place the container on the ground before filling. To reduce the risk of sparks from static discharge and resulting fire and/or explosion, do not fill fuel containers that are sitting in or on a vehicle or trailer.

The container should be kept tightly closed in order to limit the amount of moisture that gets into the mixture.

The machine's fuel tank should be cleaned as necessary.

## 12.1 STIHL MotoMix

STIHL recommends the use of STIHL MotoMix. STIHL MotoMix has a high octane rating and ensures that you always use the right gasoline/oil mix ratio.

STIHL MotoMix uses STIHL HP Ultra two-stroke engine oil suited for high performance engines.

For further details, see

[www.STIHLusa.com/ethanol](http://www.STIHLusa.com/ethanol)

## 12.2 Fuel mix ages

If not using STIHL MotoMix, only mix sufficient fuel for a few days of work, not to exceed 30 days of storage. Store in approved fuel-containers only. When mixing, pour oil into the container first, and then add gasoline. Close the container and shake it vigorously by hand to ensure proper mix of oil and gasoline.

Gasoline	Oil (STIHL 50:1 or equivalent high-quality oils)
Liters	Liters (ml)
1	0.02 (20)
5	0.10 (100)
10	0.20 (200)
20	0.40 (400)
US gal.	US fl. oz.
1	2.6
2 1/2	6.4
5	12.8

Dispose of empty mixing-oil containers only at authorized disposal locations.

## 13 Fueling



Removing the cap on a pressurized fuel tank can result in gasoline, vapors and fumes being forcefully sprayed out from the tank in all directions. The escaping gasoline, vapors or fumes, sometimes referred to as fuel spraying or "geysering," can cause serious personal injury, including fire and burn injury, or property damage.

Fuel spraying can occur when the engine is hot and the tank is opened while under pressure. It can occur in hot environments even if the engine has not been running. Spraying is more likely to occur when the fuel tank is half full or more.

### Avoid Injuries from Fuel Spraying.

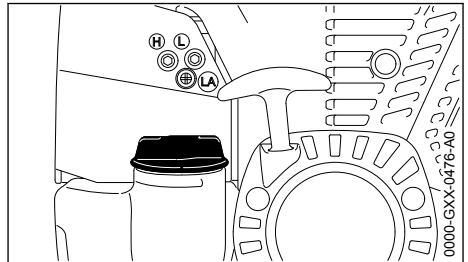
Always follow the fueling instructions in this manual:

- Treat every fuel tank as if it is pressurized, particularly if it is half full or more.
- Always allow the power tool to cool adequately before attempting to open the fuel tank or refueling; this will take longer in hot conditions.
- Never remove the cap by turning it directly to the open position. Turn it first approximately 1/2 of a turn counter-clockwise to relieve any residual pressure.
- Never open the fuel tank while the engine is still hot or running.
- Never open the fuel tank or re-fuel the power tool near any sparks, flames or other ignition sources.

- Pick the right fuel: use only good quality (89 octane or higher), fresh fuel blended for the season.
- Vapor lock: do not remove the fuel cap in an effort to relieve vapor lock. Removing the cap has no effect on vapor lock.
- Be aware that fuel spraying is more likely at higher altitudes.



## 13.1 Preparations

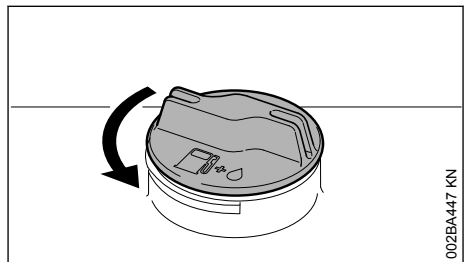


- ▶ Before fueling, clean the filler cap and the area around it to ensure that no dirt falls into the tank.
- ▶ Position the machine so that the filler cap is facing up.



In order to reduce the risk of fire and other personal injury from escaping gas vapor and fumes, remove the fuel filler cap slowly and carefully so as to allow any pressure build-up in the tank to release slowly.

## 13.2 Opening



## WARNING

After allowing the power tool to cool, remove the fuel filler cap slowly and carefully to allow any remaining pressure build-up in the tank to release:

- ▶ While maintaining steady, downward pressure, slowly turn the cap approximately a 1/2 turn counter-clockwise.
- ▶ If any significant venting occurs, immediately re-seal the tank by turning the cap clockwise to the closed position. Allow the power tool to cool further before attempting to open the tank.
- ▶ Turn the cap to the open position only after the contents of the tank are no longer under pressure.
- ▶ Remove the fuel filler cap.

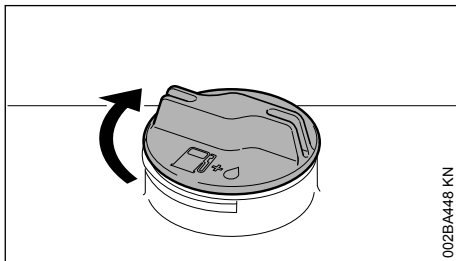
## WARNING

Never remove the cap by turning it directly to the open position. First allow the power tool to cool adequately and then release any residual pressure by slowly turning the cap approximately 1/2 turn counter-clockwise. Never attempt to remove the cap while the engine is still hot or running.

### 13.3 Refueling

Take care not to spill fuel while fueling and do not overfill the tank – leave approximately 1/2" (13 mm) air space.

### 13.4 Closing



## WARNING

An improperly tightened fuel filler cap can loosen or come off and spill quantities of fuel. To reduce the risk of fuel spillage and fire from an improperly installed fuel cap, tighten the fuel filler cap by hand with as much force as possible:

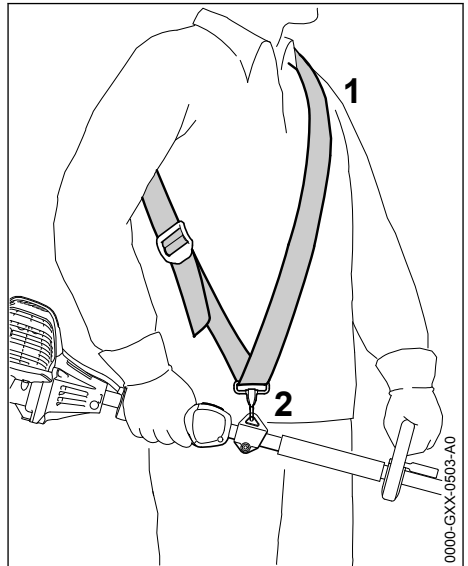
- ▶ If your fuel cap still does not tighten properly, it may be damaged or broken. Stop using the power tool and take it to your authorized STIHL dealer for repair or replacement.

## 14 Fitting the Harness

The type and style of the harness/shoulder strap depend on the market.

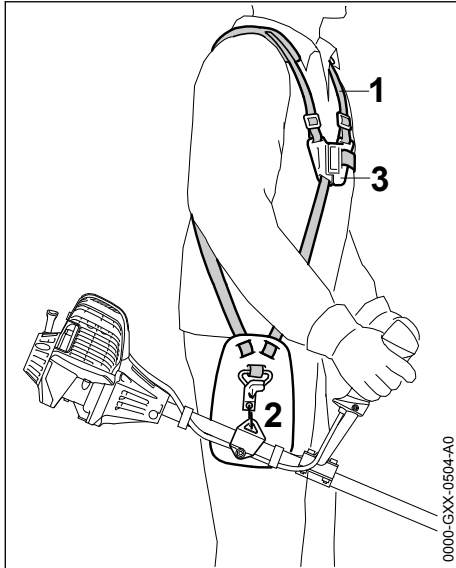
The use of the shoulder strap is described in the chapter on "Approved Combinations of Cutting Attachment, Deflector, Handle and Harness".

### 14.1 Shoulder Strap



- ▶ Put on the shoulder strap (1).
- ▶ Adjust the length of the strap so that the carabiner (2) is about a hand's width below your right hip.
- ▶ Balance the machine – see "Balancing the Machine".

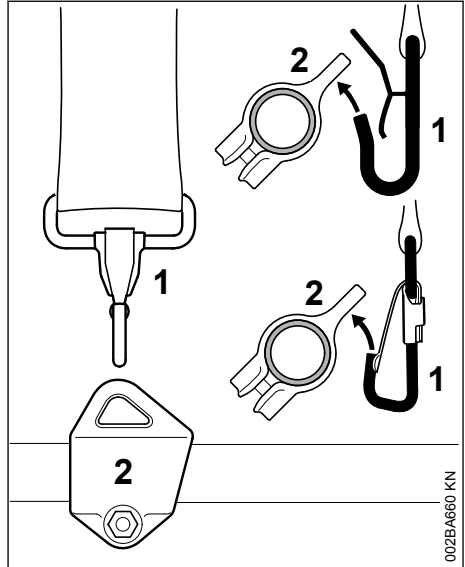
## 14.2 Full Harness



- ▶ Put on the harness (1) and close the locking plate (3).
- ▶ Adjust the length of the strap – with the machine attached, the carabiner (2) must be about a hand's width below your right hip.
- ▶ Balance the machine – see "Balancing the Machine".

## 15 Balancing the Machine

### 15.1 Attaching Machine to Harness



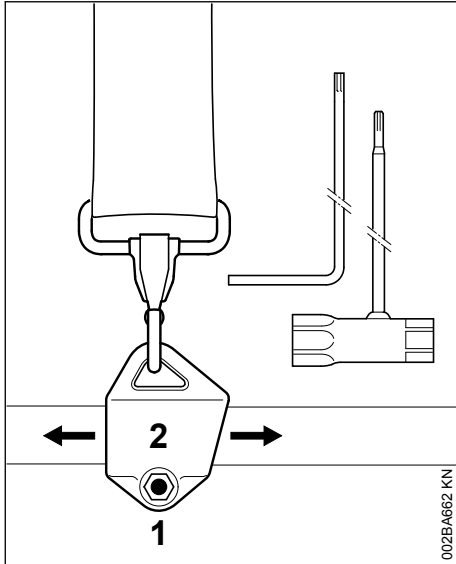
The type and style of the shoulder strap and carabiner depend on the market.

- ▶ Attach the carabiner (1) to the carrying ring (2) on the drive tube.

### 15.2 Balancing the Machine

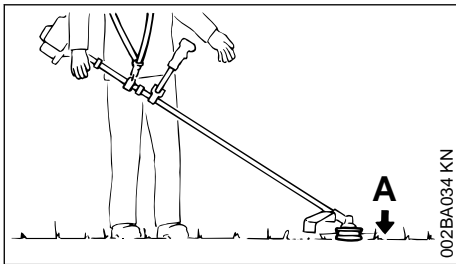
The unit is balanced differently depending on the cutting attachment used.

Proceed as follows until the conditions specified under "Floating positions" have been met:



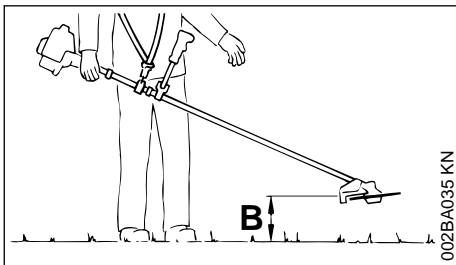
- ▶ Loosen the screw (1).
- ▶ Slide the carrying ring (2) along the drive tube.
- ▶ Tighten the screw (1) moderately.
- ▶ Allow the unit to hang freely.
- ▶ Check the position obtained:

#### Balanced positions



Mowing tools (A) such as mowing heads, grass cutting blades and brush knives

- ▶ should just touch the ground.



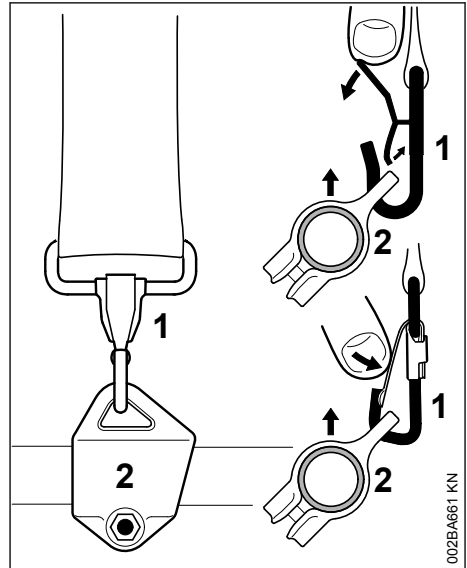
Circular saw blades (B)

- ▶ should "hover" about 20 cm (8 in) above the ground.

When the correct balanced position has been reached:

- ▶ Tighten down the screw (1) on the carrying ring firmly.

### 15.3 Disconnecting Machine from Harness

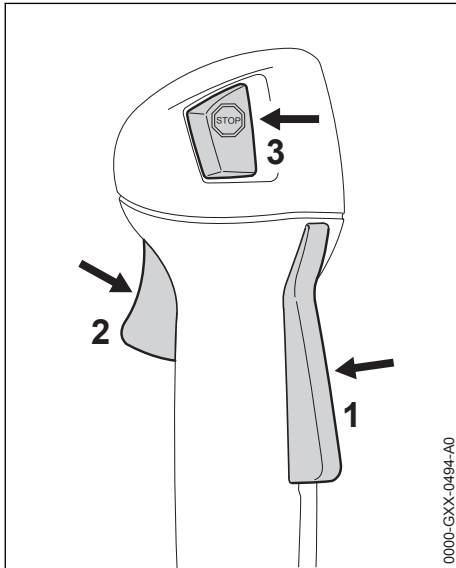


- ▶ Press down the bar on the carabiner (1) and pull the carrying ring (2) out of the carabiner.

## 16 Starting / Stopping the Engine

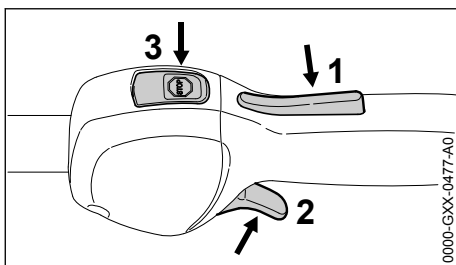
### 16.1 Controls

#### 16.1.1 Version with Bike Handle



- 1 Throttle trigger lockout
- 2 Throttle trigger
- 3 Stop switch with Run and Stop positions.  
Depress the stop switch (⊖) to switch off the ignition – see "Function of stop switch and ignition system".

#### 16.1.2 Version with Loop Handle



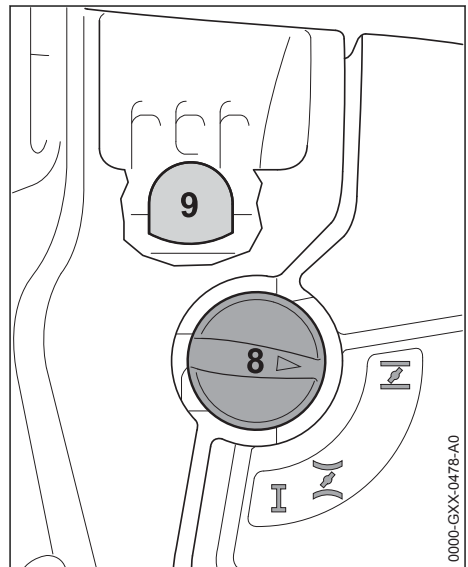
- 1 Throttle trigger lockout
- 2 Throttle trigger
- 3 Stop switch with Run and Stop positions.  
Depress the stop switch (⊖) to switch off the

ignition – see "Function of stop switch and ignition system".

#### 16.1.3 Function of stop switch and ignition system

The ignition is switched off and the engine stopped when the stop switch is pressed. The stop switch returns automatically to the Run position when it is released: The ignition is switched on again after the engine stops – the engine is then ready to start.

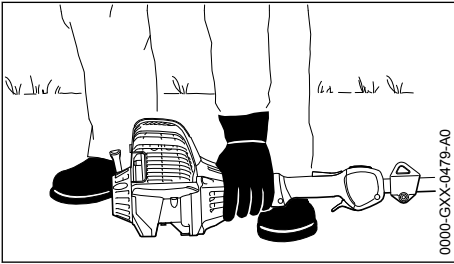
### 16.2 Starting the Engine



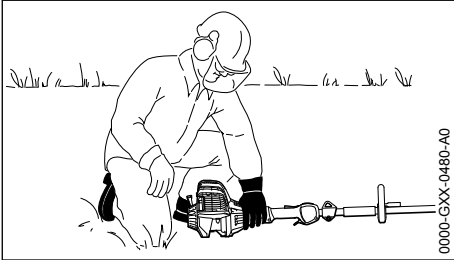
- ▶ Press the manual fuel pump bulb (9) at least five times – even if the bulb is already filled with fuel.
- ▶ Press in the choke knob (8) and turn it to the position that suits the engine temperature:
  - $\frac{I}{\text{---}}$  if the engine is cold
  - $\frac{\text{---}}{I}$  for warm start – also use this position if the engine has been running but is still cold.

The choke knob must engage in position.

### 16.2.1 Cranking



0000-GXX-0479-A0



0000-GXX-0480-A0

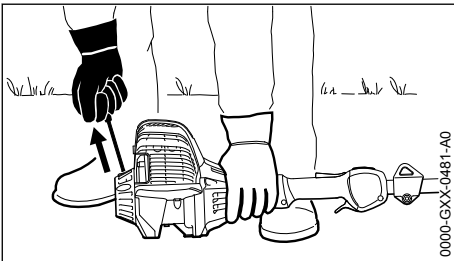
- ▶ Place the unit on the ground: It must rest securely on the engine support and the deflector.
- ▶ If fitted: Remove the transport guard from the cutting attachment.

To reduce the risk of accidents, check that the cutting attachment is not touching the ground or any other obstacles.

- ▶ Make sure you have a firm footing, either standing, stooping or kneeling.
- ▶ Hold the unit firmly on the ground with your left hand and press down – do not touch the throttle trigger or lockout lever – your thumb should be under the fan housing.

#### NOTICE

Do not stand or kneel on the drive tube.



0000-GXX-0481-A0

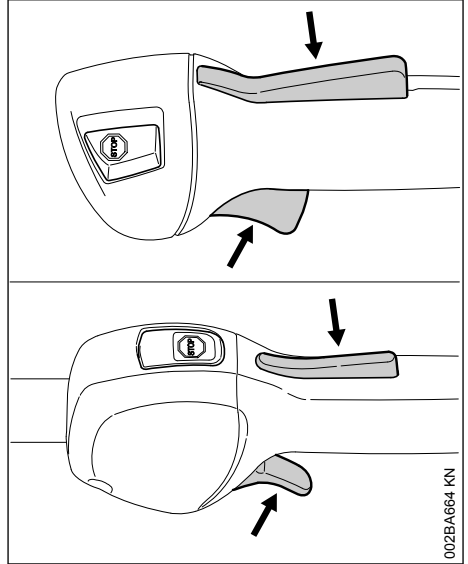
- ▶ Hold the starter grip with your right hand.
- ▶ Pull the starter grip slowly until you feel it engage and then give it a brisk strong pull.

#### NOTICE

Do not pull out the starter rope all the way – it might otherwise break.

- ▶ Do not let the starter grip snap back. Guide it slowly back into the housing so that the starter rope can rewind properly.
- ▶ Continue cranking until the engine runs.

### 16.2.2 As soon as the engine runs



002BA664 KN

- ▶ Press down the throttle trigger lockout and open the throttle – the choke knob moves to the run position I. After a cold start, warm up the engine by opening the throttle several times.

#### ! WARNING

There is a risk of injury if the cutting attachment runs when the engine is idling. Adjust the carburetor so that the cutting attachment does not run when the engine is idling – see “Adjusting the Carburetor”.

Your machine is now ready for operation.

### 16.3 Stopping the Engine

- ▶ Depress the momentary contact stop switch – the engine stops – release the stop switch – it springs back to the run position.

## 16.4 Other Hints on Starting

**Engine stalls in cold start position  $\text{I}$  or under acceleration.**

- ▶ Move the choke knob to  $\text{II}$  and continue cranking until the engine runs.

**Engine does not start in warm start position  $\text{II}$**

- ▶ Move the choke knob to  $\text{I}$  and continue cranking until the engine runs.

**If the engine does not start**

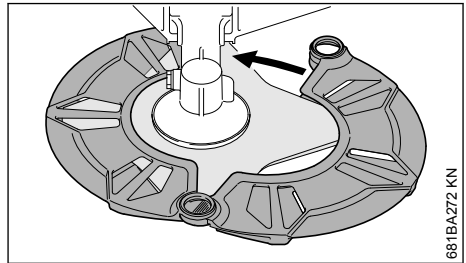
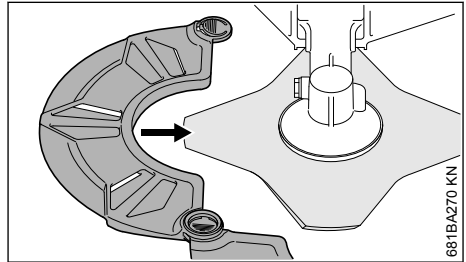
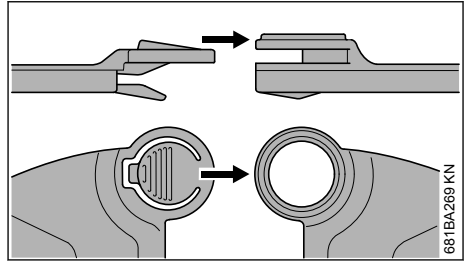
- ▶ Check that all settings are correct.
- ▶ Check that there is fuel in the tank and refuel if necessary.
- ▶ Check that the spark plug boot is properly connected.
- ▶ Repeat the starting procedure.

**Engine is flooded**

- ▶ Move the choke knob to  $\text{I}$  and continue cranking until the engine runs.

**Fuel tank run until completely dry**

- ▶ After refueling, press the manual fuel pump bulb at least five times – even if the bulb is already filled with fuel.
- ▶ Set the choke lever to suit the engine temperature.
- ▶ Now start the engine.

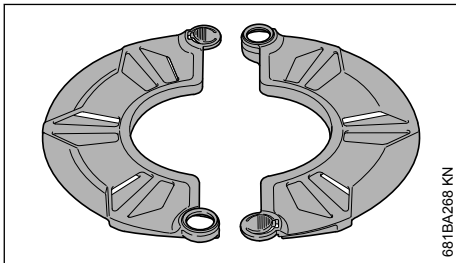


## 17 Transporting the Unit

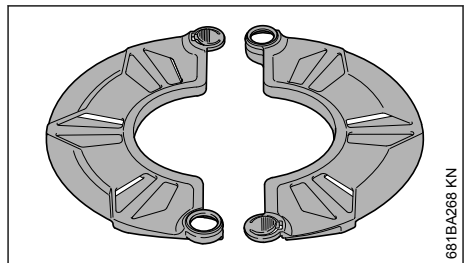
### 17.1 Using Transport Guard

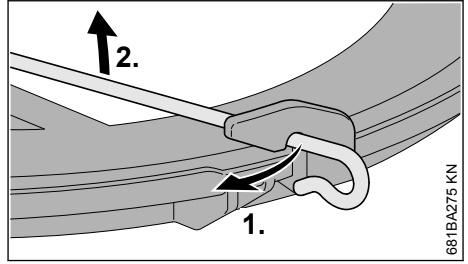
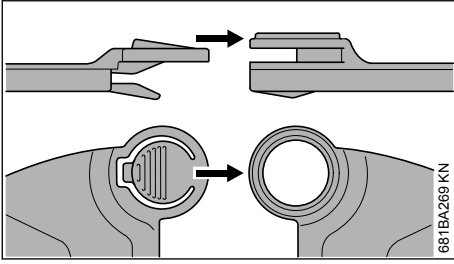
The type of transport guard depends on the metal cutting attachment supplied with the machine. Transport guards are available as special accessories.

### 17.2 230 mm Grass Cutting Blades

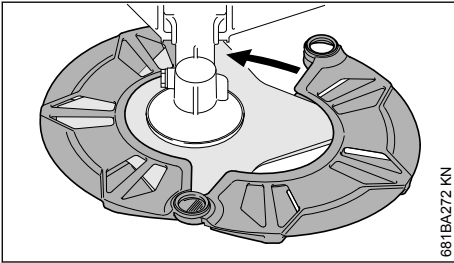
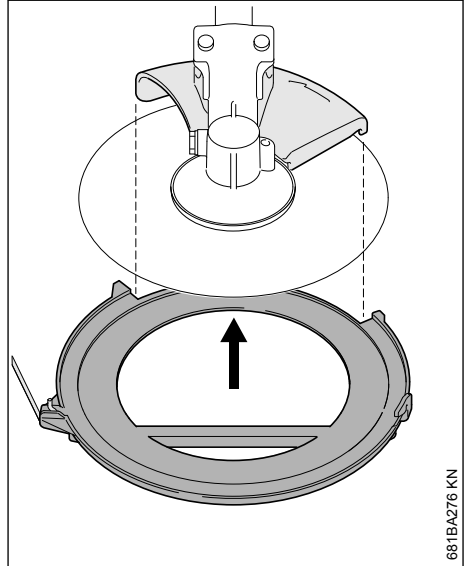
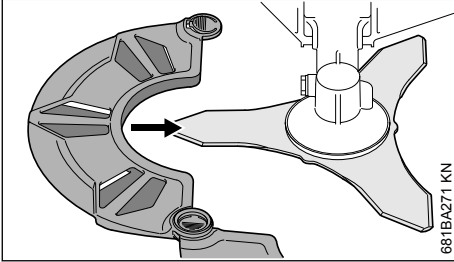


### 17.3 250 mm Brush Knives



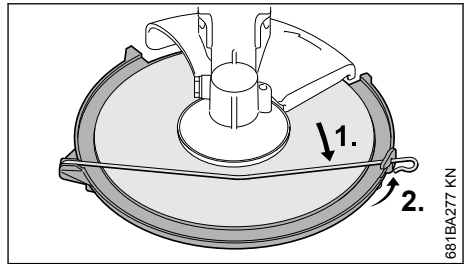
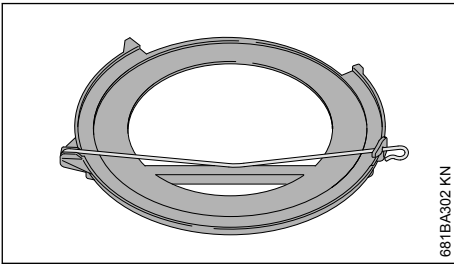


► Disconnect wire rod from the transport guard.



### 17.4 Circular Saw Blades

- Swing wire rod outwards.
- Fit transport guard on saw blade from below, making sure the limit stop is properly seated in the recess.



- Swing wire rod into position.
- Hook wire rod to the transport guard.

## 18 Operating Instructions

### 18.1 During break-in period

A factory-new machine should not be run at high revs (full throttle off load) for the first three tank fillings. This avoids unnecessary high loads during the break-in period. As all moving parts have to bed in during the break-in period, the frictional resistances in the engine are greater during this period. The engine develops its maximum power after about 5 to 15 tank fillings.

### 18.2 During Operation

After a long period of full throttle operation, allow the engine to run for a short while at idle speed so that engine heat can be dissipated by the flow of cooling air. This protects engine-mounted components (ignition, carburetor) from thermal overload.

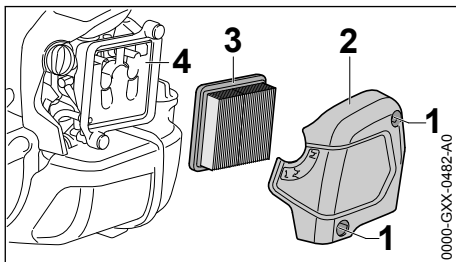
### 18.3 After Finishing Work

Storing for a short period: Wait for the engine to cool down. Empty the fuel tank and keep the machine in a dry place, well away from sources of ignition, until you need it again. For longer out-of-service periods – see "Storing the Machine".

## 19 Replacing the Air Filter

Filters have an average life of more than a year. Do not remove the filter cover or replace the air filter as long as there is no noticeable loss of power.

### 19.1 If there is a noticeable loss of engine power



- ▶ Turn the choke knob to **I**.
- ▶ Loosen the screws (1).
- ▶ Remove the filter cover (2).
- ▶ Clean away loose dirt from around the filter.
- ▶ Remove the filter element (3).
- ▶ Replace dirty or damaged filter element (3).
- ▶ Replace any damaged parts.

### 19.2 Installing the Filter Element

- ▶ Install the filter element (3) in the filter housing and fit the cover.
- ▶ Insert the screws (1) and tighten them down firmly.

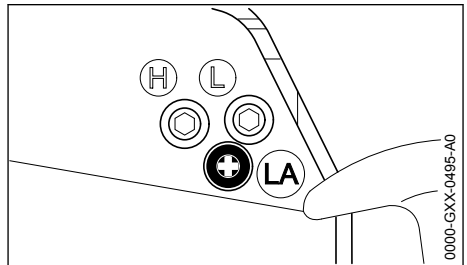
## 20 Engine Management

Exhaust emissions are controlled by the design of the engine and components (e.g. carburation, ignition, timing and valve or port timing).

## 21 Adjusting the Carburetor

The carburetor has been set at the factory to provide an optimum fuel-air mixture under most operating conditions.

### 21.1 Adjusting Idle Speed



#### Engine stops while idling

- ▶ Warm up the engine for about 3 minutes.
- ▶ Turn the idle speed screw (LA) slowly clockwise until the engine runs smoothly – the cutting attachment must not run.

#### Cutting attachment runs when engine is idling

- ▶ Turn the idle speed screw (LA) slowly counter-clockwise until the cutting attachment stops running and then turn the screw about another 1/2 to 3/4 turn in the same direction.

#### **!** WARNING

If the cutting attachment continues to run when the engine is idling, have your machine checked and repaired by your servicing dealer.

## 22 Spark Arresting Screen in Muffler

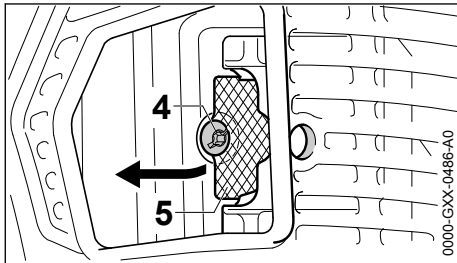
### WARNING

To reduce the risk of fire caused by hot particles escaping from the machine, never operate the machine without a spark arresting screen, or with the spark arresting screen damaged. Do not modify the muffler or spark arresting screen.

### NOTICE

According to the law or regulations in some countries or federal states, certain operations may only be carried out if a properly serviced spark arresting screen is provided.

- ▶ If the engine is down on power, check the spark arresting screen in the muffler.
- ▶ Wait for the muffler to cool down.



- ▶ Loosen screw (4).
- ▶ Lift the spark arresting screen (5) and pull it out.
- ▶ Clean the spark arresting screen (5). If the screen is damaged or heavily carbonized, install a new one.
- ▶ Refit the spark arresting screen (5)
- ▶ Insert and tighten screw (4)

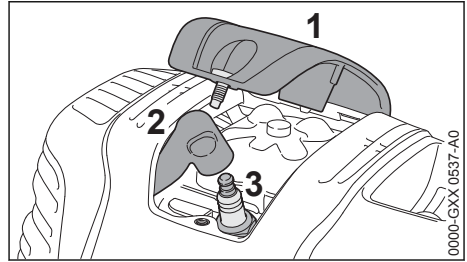
## 23 Spark Plug

If there is a loss of engine power, the machine is difficult to start or runs poorly at idle, first check the spark plug.

Install a new spark plug after approximately 100 operating hours or earlier if the electrodes are eroded/corroded.

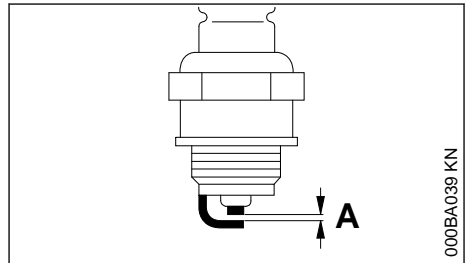
The wrong fuel mix (too much engine oil in the gasoline), a dirty air filter and unfavorable running conditions (mostly at part throttle etc.) affect the condition of the spark plug. These factors cause deposits to form on the insulator nose, which may degrade performance.

### 23.1 Removing the Spark Plug



- ▶ Remove the cover (1).
- ▶ Pull off the spark plug boot (2).
- ▶ Unscrew the spark plug (3).

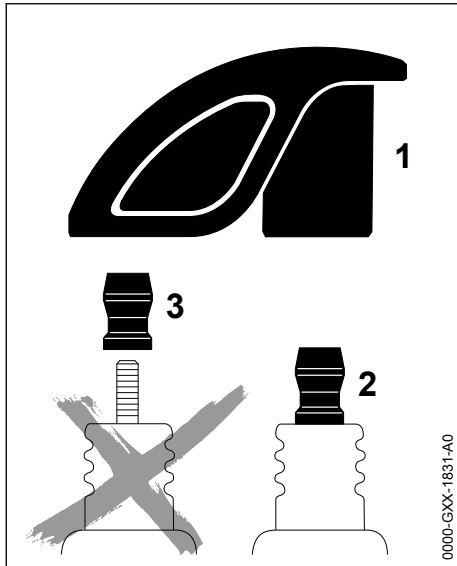
### 23.2 Checking the Spark Plug



- ▶ Clean dirty spark plug.
- ▶ Check electrode gap (A) and readjust if necessary – see chapter "Specifications."
- ▶ Use only resistor type spark plugs of the approved range.

Rectify problems which have caused fouling of spark plug:

- too much oil in fuel mix,
- dirty air filter,
- unfavorable running conditions, e.g. operating at part load.



### **! WARNING**

To reduce the risk of fire and burn injury, use only spark plugs authorized by STIHL. Always press the spark plug boot (1) snugly onto the spark plug terminal (2).

Do not use a spark plug with a detachable SAE adapter terminal (3). Arcing may occur that could ignite combustible fumes and cause a fire. This can result in serious injuries or damage to property.

- ▶ Only use resistor type spark plugs with solid, non-threaded terminals

### **23.3 Installing the Spark Plug**

- ▶ Screw the spark plug (3) into the cylinder.
- ▶ Tighten down the spark plug (3) with the combination wrench.
- ▶ Press the boot (2) firmly onto the spark plug.
- ▶ Fit the cover (1) and screw it down firmly.

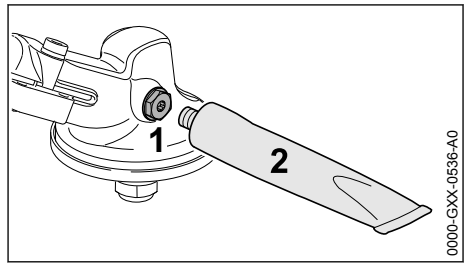
## **24 Engine Running Behavior**

If engine running behavior is unsatisfactory even though the air filter is clean and the carburetor is properly adjusted, the cause may be the muffler.

Have the muffler checked for contamination (carbonization) by your servicing dealer.

STIHL recommends that you have servicing and repair work carried out exclusively by an authorized STIHL servicing dealer.

## **25 Lubricating the Gearbox**



Check grease level after every 25 hours of operation and re-lubricate if necessary.

- ▶ Remove the screw plug (1).
- ▶ If no grease can be seen on the inside of the screw plug (1): Screw the tube (2) of STIHL gear lubricant (special accessory) into the filler hole.
- ▶ Squeeze no more than 5 g (1/5 oz) grease into the gearbox.

### **NOTICE**

Do not completely fill the gearbox with grease.

- ▶ Unscrew the tube (2).
- ▶ Insert the screw plug (1) and tighten it down firmly.

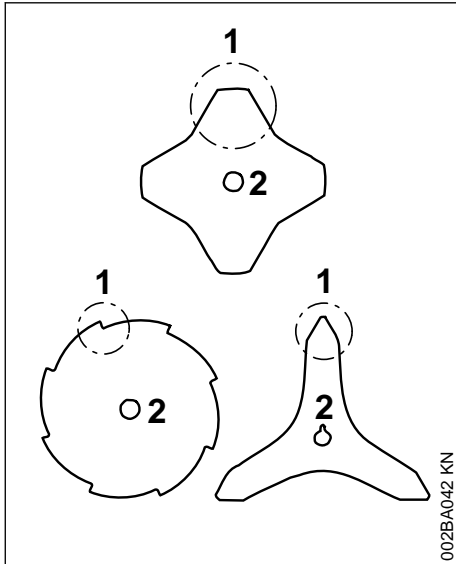
## **26 Storing the Machine**

If out of use for periods of about 30 days or longer

- ▶ Drain and clean the fuel tank in a well ventilated area.
- ▶ Dispose of fuel properly in accordance with local environmental requirements.
- ▶ If a manual fuel pump is fitted: Press the manual fuel pump at least 5 times.
- ▶ Start the engine and run it at idling speed until it stops.
- ▶ Remove, clean and inspect the cutting attachment. Coat metal cutting attachments with corrosion inhibitor.
- ▶ Thoroughly clean the machine – pay special attention to the cylinder fins and air filter.
- ▶ Store the machine in a dry and secure location – out of the reach of children and other unauthorized persons.

## 27 Sharpening Metal Cutting Blades

- ▶ Use a sharpening file (see "Special Accessories") to sharpen dull cutting attachments. In case of more serious wear or nicks: Resharpener with a grinder or have the work done by a dealer – STIHL recommends a STIHL servicing dealer.
- ▶ Sharpen frequently, take away as little metal as possible – two or three strokes of the file are usually enough.



- ▶ Resharpener the teeth (1) uniformly – do not alter the contour of the parent blade (2) in any way.

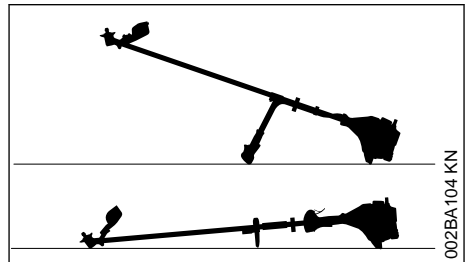
See cutting attachment packaging for additional sharpening instructions. Keep the packaging for future reference.

### 27.1 Balancing

- ▶ After resharpening about 5 times, check the cutting attachment for out-of-balance on a STIHL balancer – see "Special Accessories" – or have it checked by a dealer and re-balanced as necessary – STIHL recommends a STIHL servicing dealer.

## 28 Maintaining the Mowing Head

### 28.1 Placing power tool on the ground



- ▶ Shut off the engine.
- ▶ Lay your power tool on its back so that the cutting attachment mounting face is pointing up.

### 28.2 Replacing Nylon Line

Always check the mowing head for signs of wear before replacing the nylon line.

#### **⚠ WARNING**

If there are signs of serious wear, replace the complete mowing head.

The nylon mowing line is referred to as "nylon line" or "line" in the following.

The mowing head is supplied with illustrated instructions for replacing the nylon line. Keep the instructions for the mowing head in a safe place.

- ▶ If necessary, remove the mowing head.

### 28.3 Adjusting Nylon Line

#### **STIHL SuperCut**

Fresh line is advanced automatically if the remaining line is at least 6 cm (2 1/2 in) long. The blade on the deflector trims overlong lines to the correct length.

#### **STIHL AutoCut**

- ▶ With the engine running, hold the rotating mowing head above the grass surface.
- ▶ Tap it on the ground once – fresh line is advanced and the blade on the deflector trims it to the right length.

Fresh line is advanced every time the mowing head is tapped on the ground. For this reason observe the mowing head's cutting performance during operation. If the mowing head is tapped

on the ground too often, the line limiting blade will unnecessarily cut off unused lengths of nylon line.

Line feed operates only if both lines are still at least 2.5 cm (1 in) long.

## 28.4 Replacing Nylon Line

### STIHL PolyCut

Precut lengths of nylon line can be fitted to the PolyCut in place of the cutting blades.

### STIHL DuroCut, STIHL FixCut 31-2, STIHL PolyCut

#### WARNING

To reduce the risk of injury, always shut off the engine before refilling the mowing head.

- ▶ Fit precut lengths of nylon line in the mowing head as described in the instructions supplied.

## 28.5 Replacing Cutting Blades

### 28.5.1 STIHL PolyCut

Always check the mowing head for signs of wear before installing new cutting blades.

#### WARNING

If there are signs of serious wear, replace the complete mowing head.

The thermoplastic cutting blades are referred to as "blades" in the following.

The mowing head is supplied with illustrated instructions for replacing the blades. Keep the instructions for the mowing head in a safe place.

#### WARNING

To reduce the risk of injury, always shut off the engine before installing the blades.

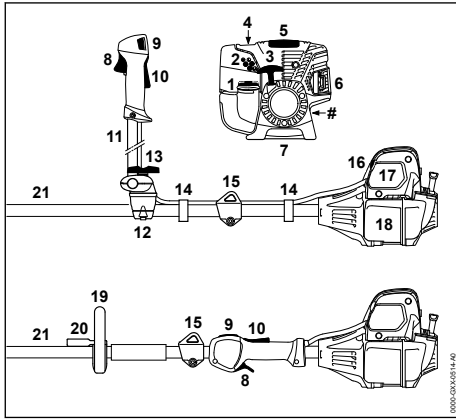
- ▶ Remove the mowing head.
- ▶ Replace blades as shown in the illustrated instructions.
- ▶ Mount the mowing head on the machine.

# 29 Maintenance and Care

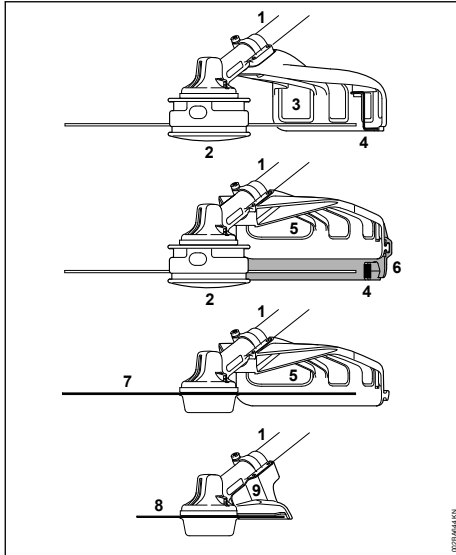
The following intervals apply for normal operating conditions. The specified intervals must be shortened accordingly when working for longer than normal or under difficult cutting conditions (extensive dust, etc.).		Before starting work	At the end of work and/or daily	Whenever tank is refilled	Weekly	Monthly	Annually	If faulty	If damaged	As required
Complete machine	Visual inspection (condition, leaks)	X		X						
	Clean		X							
	Replace any damaged parts	X							X	
Control handle	Function test	X		X						
Air filter	Visual inspection					X		X		
	Replace <sup>2)</sup>								X	
Manual fuel pump (if present)	check	X								
	Have repaired by a specialist dealer <sup>1)</sup>								X	
Fuel pickup body in fuel tank	Have checked by dealer <sup>1)</sup>							X		

The following intervals apply for normal operating conditions. The specified intervals must be shortened accordingly when working for longer than normal or under difficult cutting conditions (extensive dust, etc.).		Before starting work	At the end of work and/or daily	Whenever tank is refilled	Weekly	Monthly	Annually	If faulty	If damaged	As required
	Have replaced by servicing dealer <sup>1)</sup>						X		X	X
Fuel tank	Clean							X		X
Carburetor	Check idle adjustment, cutting attachment must not turn	X		X						
	Adjust idle speed									X
Spark plug	Set electrode gap							X		
	Replace after every 100 hours of operation									
Cooling air intakes	Visual inspection		X							
	Clean									X
Cylinder fins	Have cleaned by dealer <sup>1)</sup>						X			
Valve clearance	If power is low or cranking effort very high, have valve clearance checked and, if necessary, adjusted by dealer <sup>1)</sup>									X
Spark arresting screen in muffler	Check if installed	X								
	Check or replace <sup>1)</sup>						X			
All accessible screws, nuts and bolts (not adjusting screws)	Tighten									X
Anti vibration elements (rubber buffers, springs)	Check	X						X		X
	Have replaced by servicing dealer <sup>1)</sup>								X	
Cutting attachment	Visual inspection	X		X						
	replace								X	
	Check for secure fit	X		X						
Metal cutting attachment	sharpen	X								X
Gearbox lubrication	check				X					
	top up									X
Safety information label	replace							X		
<sup>1)</sup> STIHL recommends STIHL dealers										
<sup>2)</sup> Only if there is a noticeable loss of engine power										

## 30 Main Parts



- 1 Fuel Filler Cap
  - 2 Carburetor Adjusting Screws
  - 3 Starter Grip
  - 4 Manual Fuel Pump
  - 5 Cover
  - 6 Muffler with Spark Arresting Screen
  - 7 Machine Support
  - 8 Throttle Trigger
  - 9 Stop Switch
  - 10 Throttle Trigger Lockout
  - 11 Bike Handle
  - 12 Handle Support
  - 13 Wing Screw
  - 14 Throttle Cable Retainer
  - 15 Carrying Ring
  - 16 Choke Knob
  - 17 Air Filter Cover
  - 18 Fuel Tank
  - 19 Loop Handle
  - 20 Barrier Bar
  - 21 Drive Tube
  - # Serial Number
- ### 30.1 Definitions
- 1 Fuel Filler Cap  
For closing the fuel tank.
  - 2 Carburetor Adjusting Screws  
For tuning the carburetor.
  - 3 Starter Grip
- The grip of the pull starter, for starting the engine.
- 4 Manual Fuel Pump  
Provides additional fuel feed for a cold start.
  - 5 Cover  
Covers and protects the spark plug.
  - 6 Muffler with Spark Arresting Screen  
Muffler reduces engine exhaust noise and diverts exhaust gases away from operator. Spark arresting screen is designed to reduce the risk of fire.
  - 7 Machine Support  
For resting machine on the ground.
  - 8 Throttle Trigger  
Controls the speed of the engine.
  9. Stop Switch  
Switches the engine's ignition off and stops the engine.
  - 10 Throttle Trigger Lockout  
Must be depressed before the throttle trigger can be activated.
  - 11 Bike Handle  
For easy control of the machine with both hands during cutting work.
  - 12 Handle Support  
Connects the shaft and bike handle.
  - 13 Wing Screw  
Locks handlebar in selected position.
  - 14 Throttle Cable Retainer  
Secures the throttle cable to the drive tube.
  - 15 Carrying Ring  
Connects the trimmer/brushcutter to the harness.
  - 16 Choke Knob  
Eases engine starting by enriching mixture.
  - 17 Air Filter Cover  
Encloses and protects the air filter element.
  - 18 Fuel Tank  
For fuel and oil mixture.
  - 19 Loop Handle  
For easy control of machine during cutting work.
  - 20 Barrier Bar  
Helps keep user's feet and legs clear of the cutting tool.
  - 21 Drive Tube  
Encloses and protects the drive shaft between the engine and the gearbox.



- 1 Drive Tube
- 2 Mowing Head
- 3 Deflector for Mowing Heads only
- 4 Line Limiting Blade
- 5 Deflector for all Mowing Tools
- 6 Skirt for Mowing Heads
- 7 Metal Mowing Tool
- 8 Circular Saw Blade
- 9 Limit Stop for Circular Saw Blade only

## 30.2 Definitions

- 1 Drive Tube  
Encloses and protects the drive shaft between the coupling sleeve and gearbox.
- 2 Mowing Head  
The cutting attachment, i.e. mowing head, for different purposes.
- 3 Deflector for Mowing Heads only  
Designed to reduce the risk of injury from foreign objects flung backwards toward the operator by the cutting attachment and from contact with the cutting attachment.
- 4 Line Limiting Blade  
Metal blade at the deflector in order to keep the line of the mowing head at the proper length.
- 5 Deflector for all Mowing Tools

Designed to reduce the risk of injury from foreign objects flung backwards toward the operator by the cutting attachment and from contact with the cutting attachment.

- 6 Skirt for Mowing Heads  
Extension attached to the bottom of the deflector when using mowing heads.
- 7 Metal Cutting Attachment  
The cutting attachment, i.e. blade, made from metal for different purposes.
- 8 Circular Saw Blade  
Cutting attachment made of metal for cutting wood.
- 9 Limit Stop for Circular Saw Blade only  
Designed to position the power tool steady against the wood in order to reduce the risk of injury from loss of control from reactive forces such as thrust out.

## 31 Specifications

### 31.1 EPA / CEPA

The Emission Compliance Period referred to on the Emissions Compliance Label indicates the number of operating hours for which the engine has been shown to meet Federal emission requirements.

Category

- A = 300 hours
- B = 125 hours
- C = 50 hours

### 31.2 CARB

The Emission Compliance Period used on the CARB-Air Index Label indicates the terms:

- Extended = 300 hours
- Intermediate = 125 hours
- Moderate = 50 hours

### 31.3 Engine

Single cylinder four-stroke engine with mixture lubrication

Displacement:	36.3 cc (2.22 cu.in)
Bore:	43 mm (1.69 in)
Stroke:	25 mm (0.98 in)
Engine power:	1.4 kW (1.9 bhp) at 8,500 rpm

Idle speed:	2,800 rpm
Cut-off speed (rated):	9,500 rpm
Max. output shaft speed (cutting attachment):	7,150 rpm
Valve clearance	
Inlet valve:	0.10 mm (0.004 in)
Exhaust valve:	0.10 mm (0.004 in)

### 31.4 Ignition System

Electronic magneto ignition

Spark plug (resistor type): NGK CMR 6 H,  
STIHL ZK C 10,  
BOSCH USR 4AC  
0.5 mm (0.02 in)

Electrode gap:

### 31.5 Fuel System

All position diaphragm carburetor with integral fuel pump

Fuel tank capacity: 0.71 L (24 fl.oz)

### 31.6 Weight

**Dry, without cutting attachment and deflector**

FS 131: 5.8 kg (12.8 lbs)

FS 131 R: 5.5 kg (12.1 lbs)

### 31.7 Overall length


without cutting attachment 1800 mm (71 in)

### 31.8 Features

R Loop handle  
Z Spark arresting screen in muffler

## 32 Maintenance and Repairs

Users of this unit should carry out only the maintenance operations described in this manual. STIHL recommends that other repair work be performed only by authorized STIHL servicing dealers using genuine STIHL replacement parts.

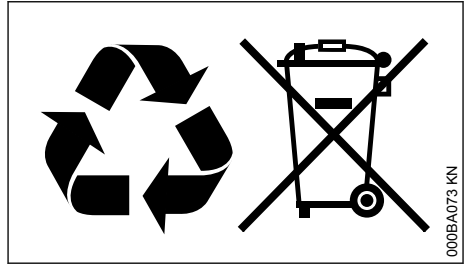
Genuine STIHL parts can be identified by the STIHL part number, the **STIHL** logo and, in some cases, by the STIHL parts symbol . The symbol may appear alone on small parts.

**For repairs of any component of this unit's air emissions control system, please refer to the air emissions systems warranty in this manual.**

## 33 Disposal

Contact the local authorities or your STIHL servicing dealer for information on disposal.

Improper disposal can be harmful to health and pollute the environment.



- ▶ Take STIHL products including packaging to a suitable collection point for recycling in accordance with local regulations.
- ▶ Do not dispose with domestic waste.

## 34 Limited Warranty

### 34.1 STIHL Incorporated Limited Warranty Policy for Non-Emission-Related Parts and Components

This product is sold subject to the STIHL Incorporated Limited Warranty Policy, available at [www.stihlusa.com/warranty.html](http://www.stihlusa.com/warranty.html)

It can also be obtained from your authorized STIHL dealer or by calling 1-800-GO-STIHL (1-800-467-8445).

A separate emissions control system warranty is provided for emission-related components.

## 35 STIHL Incorporated Federal Emission Control Warranty Statement

### 35.1 Not for California

#### 35.1.1 Your Warranty Rights and Obligations

The U.S. Environmental Protection Agency (EPA) and STIHL Incorporated are pleased to explain the Emission Control System Warranty on your equipment type engine. In the U.S. new 1997 and later model year small off-road equipment engines must be designed, built and equipped, at the time of sale, to meet the U.S. EPA regulations for small non road engines. The equipment engine must be free from defects in materials and workmanship which cause it to fail to conform with U.S. EPA standards for the first two years of engine use from the date of sale to the ultimate purchaser.

STIHL Incorporated must warrant the emission control system on your small off-road engine for the period of time listed below provided there has been no abuse, neglect or improper maintenance of your small off-road equipment engine.

Your emission control system includes parts such as the carburetor and the ignition system. Also included may be hoses, and connectors and other emission-related assemblies.

Where a warrantable condition exists, STIHL Incorporated will repair your small off-road equipment engine at no cost to you, including diagnosis (if the diagnostic work is performed at an authorized dealer), parts, and labor.

### **35.1.2 Manufacturer's Warranty Coverage**

In the U.S., 1997 and later model year small off-road equipment engines are warranted for two years. If any emission-related part on your engine is defective, the part will be repaired or replaced by STIHL Incorporated free of charge.

### **35.1.3 Owner's Warranty Responsibilities**

As the small off-road equipment engine owner, you are responsible for the performance of the required maintenance listed in your instruction manual. STIHL Incorporated recommends that you retain all receipts covering maintenance on your small off-road equipment engine, but STIHL Incorporated cannot deny warranty solely for the lack of receipts or for your failure to ensure the performance of all scheduled maintenance.

Any replacement part or service that is equivalent in performance and durability may be used in non-warranty maintenance or repairs, and shall not reduce the warranty obligations of the engine manufacturer.

As the small off-road equipment engine owner, you should be aware, however, that STIHL Incorporated may deny you warranty coverage if your small off-road equipment engine or a part has failed due to abuse, neglect, improper maintenance or unapproved modifications.

You are responsible for presenting your small off-road equipment engine to a STIHL service center as soon as a problem exists. The warranty repairs will be completed in a reasonable amount of time, not to exceed 30 days.

If you have any questions regarding your warranty rights and responsibilities, please contact a STIHL customer service representative at 1-800-467-8445 or you can write to

STIHL Inc.,  
536 Viking Drive, P.O. Box 2015,  
Virginia Beach, VA 23450-2015

www.stihlusa.com

### **35.1.4 Coverage by STIHL Incorporated**

STIHL Incorporated warrants to the ultimate purchaser and each subsequent purchaser that your small off-road equipment engine will be designed, built and equipped, at the time of sale, to meet all applicable emissions regulations. STIHL Incorporated also warrants to the initial purchaser and each subsequent purchaser that your engine is free from defects in materials and workmanship which cause the engine to fail to conform with applicable emissions regulations for a period of two years.

### **35.1.5 Warranty Period**

The warranty period will begin on the date the utility equipment engine is purchased by the initial purchaser. Product registration is recommended, so that STIHL has a means to contact you if there ever is a need to communicate repair or recall information about your product, but it is not required in order to obtain warranty service.

If any emission-related part on your engine is defective, the part will be replaced by STIHL Incorporated at no cost to the owner. Any warranted part which is not scheduled for replacement as required maintenance, or which is scheduled only for regular inspection to the effect of "repair or replace as necessary" will be warranted for the warranty period. Any warranted part which is scheduled for replacement as required maintenance will be warranted for the period of time up to the first scheduled replacement point for that part.

### **35.1.6 Diagnosis**

You, as the owner, shall not be charged for diagnostic labor which leads to the determination that a warranted emissions part is defective. However, if you claim warranty for an emissions component and the machine is tested as non-defective, STIHL Incorporated will charge you for the cost of the emission test. Mechanical diagnostic work will be performed at an authorized STIHL servicing dealer. Emission test may be performed either at STIHL Incorporated or at any independent test laboratory.

### 35.1.7 Warranty Work

STIHL Incorporated shall remedy warranty defects at any authorized STIHL servicing dealer or warranty station. Any such work shall be free of charge to the owner if it is determined that an emissions warranted part is defective.

Any manufacturer-approved or equivalent replacement part may be used for any warranty maintenance or repairs on emission-related parts and must be provided without charge to the owner. STIHL Incorporated is liable for damages to other engine components caused by the failure of a warranted part still under warranty.

The following list specifically defines the emission-related warranted parts:

- Air Filter
- Carburetor (if applicable)
- Fuel Pump
- Choke (Cold Start Enrichment System) (if applicable)
- Control Linkages
- Intake Manifold
- Magneto or Electronic Ignition System (Ignition Module or Electronic Control Unit)
- Flywheel
- Spark Plug
- Solenoid Valve (if applicable)
- Injection Valve (if applicable)
- Injection Pump (if applicable)
- Throttle Housing (if applicable)
- Cylinder
- Muffler
- Catalytic Converter (if applicable)
- Fuel Tank
- Fuel Cap
- Fuel Line
- Fuel Line Fittings
- Clamps
- Fasteners

### 35.1.8 Where to make a Claim for Warranty Service

Bring the product to any authorized STIHL servicing dealer.

### 35.1.9 Maintenance Requirements

The maintenance instructions in this manual are based on the application of the recommended 2-stroke fuel-oil mixture (see also instruction "Fuel"). Deviations from this recommendation regarding quality and mixing ratio of fuel and oil may require shorter maintenance intervals.

### 35.1.10 Limitations

This Emission Control Systems Warranty shall not cover any of the following:

- ▶ repair or replacement required because of misuse, neglect or lack of required maintenance,
- ▶ repairs improperly performed or replacements not conforming to STIHL Incorporated specifications that adversely affect performance and/or durability, and alterations or modifications not recommended or approved in writing by STIHL Incorporated,

and

- ▶ replacement of parts and other services and adjustments necessary for required maintenance at and after the first scheduled replacement point.

## 36 STIHL Incorporated California Exhaust and Evaporative Emissions Control Warranty Statement

### 36.1 For California only

#### 36.1.1 Your Warranty Rights and Obligations

The California Air Resources Board (CARB) and STIHL Incorporated are pleased to explain the emissions control system warranty on your 2026 and later small off-road equipment engine.

In California, new equipment that uses small off-road engines must be designed, built, and equipped to meet the State's stringent anti-smog standards. STIHL Incorporated must warrant the emissions control system on your small off-road engine for the periods of time listed below provided there has been no abuse, neglect or improper maintenance of your small off-road engine or equipment leading to the failure of the emissions control system.

Your emissions control system may include parts such as the carburetor or fuel-injection system, the ignition system, catalytic converter, fuel tanks, fuel lines (for liquid fuel and fuel vapors), fuel caps valves canisters, filters, clamps and another associated components. Also included may be hoses, belts, connectors or other emission-related assemblies.

Where a warrantable condition exists, STIHL Incorporated will repair your small off-road equipment engine at no cost to you including diagnosis, parts and labor.

### 36.1.2 Manufacturer's Warranty Responsibilities

The exhaust and evaporative emissions control system on your small off-road equipment engine is warranted for two years. If any emission-related part on your small off-road equipment engine is defective, the part will be repaired or replaced by STIHL Incorporated free of charge.

### 36.1.3 Owner's Warranty Responsibilities

As the small off-road equipment engine owner, you are responsible for the performance of the required maintenance listed in your instruction manual. STIHL Incorporated recommends that you retain all receipts covering maintenance on your small off-road equipment engine, but STIHL Incorporated cannot deny warranty coverage solely for the lack of receipts or for your failure to ensure the performance of all scheduled maintenance.

As the small off-road equipment engine owner, you should however be aware that STIHL Incorporated may deny you warranty coverage if your small off-road equipment engine or a part has failed due to abuse, neglect, or improper maintenance or unapproved modifications.

You are responsible for presenting your small off-road equipment engine to a STIHL servicing dealer as soon as the problem exists. The warranty repairs should be completed in a reasonable amount of time, not to exceed 30 days. If you have any questions regarding your warranty rights and responsibilities, please contact a STIHL customer service representative at 1-800-467-8445 or you can write to

STIHL Inc., 536 Viking Drive,  
P.O. Box 2015,  
Virginia Beach, VA 23450-2015.

[www.stihlusa.com](http://www.stihlusa.com)

### 36.1.4 Coverage by STIHL Incorporated

STIHL Incorporated warrants to the ultimate purchaser and each subsequent purchaser that your small off-road equipment engine is designed, built and equipped, at the time of sale, to meet all applicable emission regulations.

STIHL Incorporated also warrants to the initial purchaser and each subsequent purchaser that your engine is free from defects in materials and workmanship which cause the engine to fail to conform to applicable emission regulations for a period of two years.

### 36.1.5 Defects Warranty Period

The warranty periods will begin on the date the utility equipment engine is purchased by the initial purchaser. If any emission-related part on your engine is defective, the part will be replaced by STIHL Incorporated at no cost to the owner.

Add-on or modified parts that are not exempted by CARB may not be used. The use of any non-exempted add-on or modified parts will be grounds for disallowing a warranty claim. STIHL Incorporated will not be liable to warrant failures of warranted parts caused by the use of a non-exempted add-on or modified part.

The warranty on emissions-related parts will be interpreted as follows:

1. Any warranted part that is not scheduled for replacement as required maintenance in the written instructions required in the Emission Warranty Parts List (see below) must be warranted for the warranty period defined in Subsection COVERAGE BY STIHL INCORPORATED, see above. If any such part fails during the period of warranty coverage, it must be repaired or replaced by the manufacturer according to Subsection (4) below. Any such part repaired or replaced under the warranty must be warranted for the remaining warranty period.
2. Any warranted part that is scheduled only for regular inspection in the written instructions required by the Emission Warranty Parts List (see below) must be warranted for the warranty period defined in Subsection COVERAGE BY STIHL INCORPORATED, see above. A statement in such written instructions to the effect of "repair or replace as necessary" will not reduce the period of warranty coverage. Any such part repaired or replaced under warranty must be warranted for the remaining 99warranty period.
3. Any warranted part that is scheduled for replacement as required maintenance in the written instructions required by the Emission Warranty Parts List (see below) must be warranted for the period of time prior to the first scheduled replacement point for that part. If the part fails prior to the first scheduled replacement, the part must be repaired or replaced by the engine manufacturer according to Subsection (4) below. Any such part repaired or replaced under warranty must be warranted for the remainder of the period

- prior to the first scheduled replacement point for the part.
4. Repair or replacement of any warranted part under the warranty must be performed at a warranty station at no charge to the owner.
  5. Notwithstanding the provisions of Subsection (4) above, warranty services or repairs will be provided at all manufacturer distribution centers that are authorized to service the subject engines.
  6. The owner must not be charged for diagnostic labor that leads to the determination that a warranted part is in fact defective, provided that such diagnostic work is performed at a warranty station.

### 36.1.6 Warranty Work

STIHL Incorporated shall remedy warranty defects at any authorized STIHL servicing dealer or warranty station. Any such work shall be free of charge to the owner if it is determined that a warranted part is defective. Any manufacturer approved or equivalent replacement part may be used for any warranty maintenance or repairs on emission-related parts and must be provided without charge to the owner. STIHL Incorporated is liable for damages to other engine components caused by the failure of a warranted part still under warranty.

### 36.1.7 Emission Warranty Parts List

Air Filter, Carburetor (if applicable), Fuel Pump, Choke (Cold Start Enrichment System) (if applicable), Control Linkages, Intake Manifold, Magneto or Electronic Ignition System (Ignition Module or Electronic Control Unit), Fly Wheel, Spark Plug, Solenoid Valve (if applicable), Injection Valve (if applicable), Injection Pump (if applicable), Throttle Housing (if applicable), Cylinder, Muffler, Catalytic Converter (if applicable), Fuel Tank, Fuel Cap, Fuel Line (for liquid fuel and fuel vapors), Fuel Line Fittings, Clamps, Fasteners.

### 36.1.8 Where to make a Claim for Warranty Service

Bring the STIHL product to any authorized STIHL servicing dealer.

### 36.1.9 Limitations

The repair or replacement of any warranted part otherwise eligible for warranty coverage may be excluded from such warranty coverage if STIHL Incorporated demonstrates that the STIHL product has been abused, neglected, or improperly

maintained, and that such abuse, neglect, or improper maintenance was the direct cause of the need for repair or replacement of the part. That notwithstanding, any adjustment of a component that has a factory installed, and properly operating, adjustment limiting device is still eligible for warranty coverage.

## 37 Trademarks

### 37.1 STIHL Registered Trademarks

STIHL®

**STIHL**



The color combination orange-grey (U. S. Registrations 2,821,860; 3,010,057; 3,010,058; 3,400,477; and 3,400,476)



AutoCut®

FARM BOSS®

iCademy®

MAGNUM®

MasterWrench Service®

MotoMix®

- OILOMATIC®
- ROCK BOSS®
- STIHL Cutquik®
- STIHL DUROMATIC®
- STIHL Quickstop®
- STIHL ROLLOMATIC®
- STIHL WOOD BOSS®
- TIMBERSPORTS®
- YARD BOSS®
- WOOD BOSS®
- KISS MY AXE®
- DIRT BOSS®
- iMOW®

### 37.2 Some of STIHL's Common Law Trademarks

- 4-MIX™
- BioPlus™
- Easy2Start™
- EasySpool™
- ElastoStart™
- Ematic™
- STIHL Precision Series™
- FixCut™
- Micro™
- Pro Mark™
- TapAction™
- Quiet Line™
- STIHL Moto4™
- STIHL SuperCut™
- STIHL Injection™
- STIHL PowerSweep™
- Team STIHL™
- HEXA™
- IntelliCarb™
- Master Control Lever™
- STIHL OUTFITTERS™
- STIHL PICCO™

- TrimCut™
- STIHL M-Tronic™
- On A Single Charge™
- STIHL PolyCut™
- STIHL RAPID™

This listing of trademarks is subject to change.

Any unauthorized use of these trademarks without the express written consent of ANDREAS STIHL AG & Co. KG, Waiblingen is strictly prohibited.

## Contenido

1	Introducción.....	53
2	Acerca de este manual de instrucciones..	53
3	Medidas de seguridad y técnicas de manejo .....	54
4	Combinaciones aprobadas de accesorio de corte, deflector, tope, mango y arnés.....	73
5	Accesorios aprobados para herramientas motorizadas.....	74
6	Montaje del manillar.....	74
7	Montaje del mango tórico.....	77
8	Ajuste del cable del acelerador.....	78
9	Montaje de la argolla de transporte.....	79
10	Montaje del deflector.....	79
11	Montaje del accesorio de corte.....	80
12	Combustible.....	84
13	Llenado de combustible.....	85
14	Uso de la correa para hombro.....	87
15	Equilibrio de la máquina.....	88
16	Arranque / parada del motor.....	89
17	Traslado de la unidad.....	92
18	Instrucciones para el uso.....	93
19	Sustitución del filtro de aire.....	94
20	Gestión del motor.....	94
21	Ajuste del carburador.....	94
22	Chispero en el silenciador.....	95
23	Bujía.....	95
24	Funcionamiento del motor.....	96
25	Lubricación de la caja de engranajes.....	96
26	Almacenamiento de la máquina.....	96
27	Afilado de los accesorios de corte.....	97
28	Mantenimiento de la cabeza segadora.....	97
29	Información para mantenimiento.....	98
30	Componentes importantes.....	100
31	Especificaciones.....	102
32	Información de reparación.....	102
33	Desecho.....	103
34	Garantía limitada.....	103
35	Declaración de garantía de STIHL Incorporated sobre sistemas de control de emisiones según normas Federales.....	103

36 Declaración de garantía de STIHL Incorporated sobre el control de emisiones de gases de escape y emisiones por evaporación para el Estado de California..... 105

37 Marcas comerciales..... 108

## 1 Introducción

Asegúrese de que solo usen su orilladora/desbrozadora personas que comprendan íntegramente este manual.

Para disfrutar y sacar el máximo rendimiento de su orilladora/desbrozadora de STIHL, es importante que lea, comprenda y respete las medidas de seguridad y las instrucciones de manejo y mantenimiento que se dan en el capítulo "Medidas de seguridad y técnicas de uso" antes de usar la orilladora/desbrozadora. Encontrará más información en la página [www.stihlusa.com](http://www.stihlusa.com).

Póngase en contacto con el concesionario o con el distribuidor de STIHL de su zona si no entiende alguna de las instrucciones que se dan en este manual.

### ADVERTENCIA

La orilladora/desbrozadora es una herramienta de corte que funciona a gran velocidad. Por eso, es necesario tomar medidas de seguridad especiales para reducir el riesgo de lesiones. Un uso descuidado o inadecuado puede causar lesiones graves e incluso mortales.

Asegúrese de que su máquina está equipada con el deflector o tope limitador, el mango y el arnés correctos para el tipo de accesorio de corte que va a usar. Siempre protéjase adecuadamente los ojos.

## 2 Acerca de este manual de instrucciones

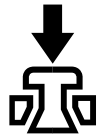
### 2.1 Pictogramas

Todos los pictogramas que se encuentran fijados o grabados en la máquina se explican en este manual.

Según el modelo, los pictogramas siguientes pueden aparecer en su máquina.



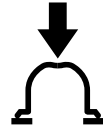
Tanque de combustible que contiene la mezcla de combustible y aceite



Presione para accionar la válvula de descompresión



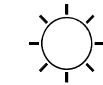
Bomba de combustible manual



Presione para accionar la bomba manual de combustible



Orificio de llenado para lubricante de engranajes



Toma de aire para modo de verano



Toma de aire para modo de invierno



Calentador de manillar

### 2.2 Símbolos en el texto

Muchas de las instrucciones de uso y seguridad vienen acompañadas de ilustraciones.

Los pasos individuales o procedimientos descritos en el manual pueden estar señalados en diferentes maneras:

- ▶ Se usa una viñeta para denotar un paso o procedimiento.

Una descripción de un paso o procedimiento que se refiere directamente a una ilustración puede contener números de referencia que aparecen en la ilustración. Por ejemplo:

- ▶ Saque el tornillo (1)
- ▶ Extraiga el chispero (2) hacia arriba, fuera del silenciador

Además de las instrucciones de uso, en este manual pueden encontrarse párrafos a los que usted debe prestar atención especial. Tales párrafos se denotan con los símbolos y las palabras identificadoras que se describen a continuación.

**PELIGRO**

Identifica una situación de peligro que, de no evitarse, causará lesiones graves o mortales.

**ADVERTENCIA**

Identifica una situación de peligro que, de no evitarse, podría causar lesiones graves o mortales.

**INDICACIÓN**

Indica el riesgo de daños a la propiedad, incluidos la máquina o sus componentes.

**2.3 Mejoramientos técnicos**

La filosofía de STIHL es mejorar continuamente todos sus productos. Como resultado de ello, periódicamente se introducen cambios de diseño y mejoras. Por lo tanto, es posible que algunos cambios, modificaciones y mejoras no se describan en este manual. Si las características de funcionamiento o la apariencia de su máquina difieren de las descritas en este manual, comuníquese con el concesionario STIHL para obtener la ayuda que requiera.

**3 Medidas de seguridad y técnicas de manejo**

Dado que la desmalezadora / desbrozadora es una herramienta de corte motorizada, con cuchillas afiladas, que funciona a gran velocidad, es necesario tomar medidas de seguridad especiales para reducir el riesgo de lesiones.



Es importante que usted lea, comprenda bien y respete las siguientes advertencias y medidas de seguridad. Lea el manual de instrucciones y las medidas de seguridad periódicamente. Un uso descuidado o inadecuado puede causar lesiones graves o incluso mortales.

La terminología empleada en este manual para hacer referencia a la herramienta motorizada refleja el hecho de que se pueden montar en ella distintos tipos de accesorios de corte. El término "orilladora" se usa para hacer referencia a una unidad FS que está equipada con una cabeza con hilo de nilón o con una cabeza con cuchillas de plástico flexibles (es decir, el cabezal Poly-Cut). El término "desbrozadora" se da a una uni-

dad equipada con una cuchilla metálica rígida. Muchos de los modelos FS se pueden usar como orilladora o como desbrozadora. Por eso, en este manual la herramienta motorizada se denomina "orilladora/desbrozadora". Algunos de los modelos FS más pequeños y/o livianos solo se pueden usar como desmalezadora, es decir, no se pueden equipar con cuchillas metálicas.

El término "sierra desbrozadora" identifica una orilladora/desmalezadora de alta potencia que es particularmente útil para usarla con una hoja de sierra circular para cortar árboles jóvenes o pequeños.

Los modelos FS con una "R" en la placa de identificación se configuraron originalmente (al momento de la distribución) como orilladoras con asa de lazo.

**ADVERTENCIA**

Como se explica con más detalle en páginas posteriores de estas Medidas de seguridad, para reducir el riesgo de lesiones es preciso que se asegure de que su máquina está equipada con el mango, el arnés y el deflector o el tope limitador adecuados para el tipo de accesorio de corte que está utilizando. Use únicamente accesorios de corte que estén autorizados específicamente por STIHL para el uso en su modelo FS.

Solicite a su concesionario STIHL que le muestre cómo se maneja la herramienta motorizada. Respete todas las disposiciones, los estándares y las normas de seguridad locales aplicables.

**ADVERTENCIA**

No preste ni alquile nunca su herramienta motorizada sin entregar también el manual de instrucciones. Asegúrese de que todas las personas que vayan a usar la máquina comprendan la información de este manual.

**ADVERTENCIA**

El uso de esta máquina puede ser peligroso. Si el hilo o la cuchilla en movimiento entran en contacto con su cuerpo, le ocasionarán una cortadura. Cuando entra en contacto con objetos extraños sólidos, como rocas o pedazos de metal, puede arrojarlos directamente o por rebote hacia las personas que se encuentren en la cercanía, o hacia el operador. Si golpea este tipo de objetos, el accesorio de corte puede sufrir daños, y las cuchillas se pueden romper, astillar o agrietar. Los objetos que salen despedidos, entre los que puede haber fragmentos de la cabeza o de cuchillas rotas, pueden provocar lesiones graves o mortales al operador o a las personas que se encuentren en los alrededores. STIHL no recomienda el uso de cuchillas rígidas para cortar en zonas pedregosas.

Use su orilladora / desmalezadora equipada con el accesorio de corte apropiado únicamente para cortar pasto, matorrales, madera y materiales similares.

**ADVERTENCIA**

No use la máquina para ningún otro propósito: un uso indebido puede causar lesiones o daños materiales, incluidos daños en la máquina.

**ADVERTENCIA**

En ningún caso se debe permitir que usen esta herramienta motorizada menores de edad. No se debe permitir la presencia de otras personas, especialmente niños, ni de animales, en los lugares en los que se esté usando la máquina.

**ADVERTENCIA**

Para reducir el riesgo de provocar lesiones a personas que se encuentren cerca, así como daños materiales, nunca deje la herramienta motorizada en marcha desatendida. Cuando no esté en uso (por ejemplo, durante un descanso), apáguela y asegúrese de que no la puedan usar personas no autorizadas.

La mayor parte de las medidas de seguridad y de los avisos incluidos en este manual son aplicables al uso de todas las orilladoras/desmalezadoras de STIHL. Los distintos modelos pueden tener piezas y controles diferentes. Consulte

el apartado correspondiente de su manual de instrucciones. En él encontrará una descripción de los controles y de la función de los componentes específicos de su modelo.

El uso seguro de una desmalezadora/desbrozadora atañe a

1. el operador
2. la herramienta motorizada
3. el uso de la herramienta motorizada.

**3.1 EL OPERADOR****3.1.1 Condición física**

Usted debe estar en buenas condiciones físicas y psíquicas y no encontrarse bajo los efectos de ninguna sustancia (drogas, alcohol, etc.) que le pueda restar visibilidad, destreza o juicio. No maneje esta máquina si está fatigado.

**ADVERTENCIA**

Esté alerta. Si se cansa, tómese un descanso. El cansancio puede provocar una pérdida del control. El uso de cualquier herramienta motorizada es fatigoso. Si usted padece de alguna dolencia que se pueda ver agravada por la fatiga, consulte a su médico antes de utilizar esta máquina.

**ADVERTENCIA**

El uso prolongado de una herramienta motorizada (o de otras máquinas) expone al operador a vibraciones que pueden provocar el fenómeno de Raynaud (dedos blancos) o el síndrome del túnel carpiano.

Estas dolencias reducen la capacidad de las manos de sentir y regular la temperatura, producen entumecimiento y ardor y pueden provocar trastornos nerviosos y circulatorios, así como necrosis de los tejidos.

No se conocen todos los factores que contribuyen a la enfermedad de Raynaud, pero el clima frío, el fumar y las enfermedades o condiciones físicas que afectan a los vasos sanguíneos y a la circulación de la sangre, así como los niveles altos de vibración y períodos prolongados de exposición a la vibración se citan como factores que favorecen el desarrollo de la enfermedad de Raynaud. Para reducir el riesgo de contraer la enfermedad de dedos blancos y el síndrome del túnel carpiano, tenga en cuenta lo siguiente:

- La mayor parte de las herramientas motorizadas de STIHL están disponibles con un sistema antivibración ("AV") diseñado para reducir la transmisión de las vibraciones generadas por la máquina a las manos del operador. Se recomienda el uso de un sistema AV a todas aquellas personas que usen herramientas motorizadas de forma habitual o continua.
- Use guantes y mantenga las manos abrigadas.
- Lleve a cabo un mantenimiento correcto del sistema AV. Una herramienta motorizada con los componentes flojos o con elementos AV dañados o desgastados tiende a tener niveles de vibración más altos.
- Agarre los mangos firmemente en todo momento, pero no los apriete con una fuerza constante y excesiva. Tómese descansos frecuentes.

Las precauciones mencionadas no garantizan que no se sufrirán el mal de dedos blancos o el síndrome del túnel carpiano. Por lo tanto, los operadores que usen la máquina de manera continua y habitual deben revisar con frecuencia el estado de sus manos y dedos. Si percibe alguno de los síntomas mencionados más arriba, consulte inmediatamente al médico.

### ADVERTENCIA

El sistema de encendido de la máquina STIHL produce un campo electromagnético de intensidad muy baja. Este campo puede interferir con algunos tipos de marcapasos. Para reducir el riesgo de sufrir lesiones graves o mortales, las personas portadoras de marcapasos deben consultar a sus médicos y al fabricante del marcapasos antes de usar esta máquina.

#### 3.1.2 Vestimenta adecuada

Para reducir el riesgo de lesiones, el operador debe usar el equipo protector adecuado.

### ADVERTENCIA

El deflector provisto con su herramienta motorizada no siempre protege al operador contra todos los objetos extraños (gravilla, vidrio, alambre, etc.) arrojados por el accesorio de corte giratorio. Los objetos arrojados o lanzados por el accesorio también pueden rebotar y golpear al operador.

### ADVERTENCIA



Para reducir el riesgo de lesionarse los ojos, nunca maneje la herramienta motorizada si no tiene puestas gafas o anteojos de seguridad bien ajustados con una protección adecuada en las partes superior y laterales que satisfagan la norma ANSI Z87 "+" (o la norma nacional correspondiente). Para reducir el riesgo de lesionarse la cara, STIHL recomienda usar también una careta o un protector facial adecuado sobre las gafas o los anteojos de seguridad.

Use un casco de seguridad homologado para reducir el riesgo de lesionarse la cabeza cuando exista tal peligro. Los ruidos causados por la herramienta motorizada pueden dañar los oídos. Siempre use amortiguadores del ruido (tapones u orejeras) para protegerse los oídos. Los usuarios constantes y habituales deben someterse regularmente a exámenes o controles auditivos.

Esté especialmente alerta y tenga cuidado cuando use protectores para los oídos, ya que reducen la capacidad de oír señales de advertencia (gritos, alarmas, etc.).



Siempre use guantes gruesos (por ejemplo, de cuero o de otro material resistente al desgaste) cuando manipule la máquina y las cuchillas metálicas. Los guantes gruesos y antideslizantes mejoran el agarre y ayudan a proteger las manos.



La ropa debe ser de confección fuerte y ajustada, para permitir una completa libertad de movimientos. Use pantalones largos hechos de un material grueso para protegerse las piernas. No use pantalones cortos ni sandalias, y no maneje la máquina con los pies descalzos.

Evite llevar chaquetas sueltas, bufandas, corbatas, joyas, pantalones acampanados o con vueltas, pelo largo suelto o cualquier cosa que pueda engancharse en las ramas, en los matorrales o en las piezas en movimiento de la máquina. Sujétese el pelo de modo que quede por encima de los hombros.



Es muy importante tener una buena estabilidad. Lleve botas gruesas con suela antideslizante. Le recomendamos que elija botas de seguridad con puntera de acero.

## 3.2 LA HERRAMIENTA MOTORIZADA

Encontrará las ilustraciones y las definiciones de las piezas de la herramienta motorizada en el capítulo "Piezas principales".



### ADVERTENCIA

Nunca modifique en modo alguno esta herramienta motorizada. Únicamente están autorizados los accesorios y repuestos suministrados por STIHL y expresamente aprobados por STIHL para el uso con el modelo específico de STIHL. Si bien es posible utilizar con la herramienta motorizada de STIHL ciertos accesorios no autorizados, su uso puede ser extremadamente peligroso en la práctica. Para saber qué accesorios de corte están autorizados por STIHL para su unidad, consulte el capítulo "Combinaciones aprobadas de accesorio de corte, deflector, tope limitador, mango y arnés" del manual de instrucciones o del catálogo de STIHL "Accesorios de corte, piezas y accesorios".

Si la máquina se ve expuesta a cargas excesivas para las que no ha sido diseñada (por ejemplo, impactos severos o una caída), siempre asegúrese de que está en buenas condiciones antes de reanudar el trabajo. Compruebe específicamente si el sistema de combustible es estanco (ausencia de fugas), y si los controles y dispositivos de seguridad funcionan como es debido. No siga manejando esta máquina si está dañada. En caso de duda, solicite una revisión a su concesionario de servicio de STIHL.

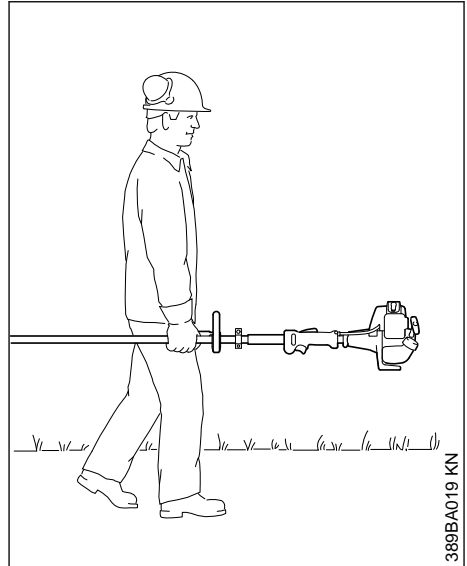
## 3.3 USO DE LA HERRAMIENTA MOTORIZADA

### 3.3.1 Transporte de la herramienta motorizada



### ADVERTENCIA

Para reducir el riesgo de lesiones provocadas por una pérdida de control y por contacto con las cuchillas o con el hilo, nunca lleve ni transporte su herramienta motorizada con el accesorio de corte en marcha.



389BA019 KN

La herramienta se debe cargar siempre en posición horizontal. Agarre el mango de forma que la máquina se mantenga equilibrada en horizontal. Mantenga el silenciador caliente alejado de su cuerpo y el acople de corte, detrás de usted.



### ADVERTENCIA

Antes de apoyar la desmalezadora/desbrozadora en el suelo, apague el motor y asegúrese de que el accesorio de corte se ha detenido. Cuando transporte la unidad en un vehículo, asegúrela firmemente para impedir que vuelque, que sufra daños o que se derrame combustible. STIHL le recomienda que mantenga las cuchillas metálicas cubiertas con el protector para el transporte (accesorio opcional).

### 3.3.2 Combustible

La herramienta motorizada STIHL utiliza una mezcla de aceite-gasolina como combustible (vea el capítulo "Combustible" del manual de instrucciones).


**ADVERTENCIA**


La gasolina es un combustible muy inflamable. Si se derrama y arde a consecuencia de una chispa o de otra fuente de ignición, puede provocar un incendio y quemaduras graves o daños a la propiedad. Tenga sumo cuidado cuando manipule gasolina o la mezcla de combustible. No fume cerca del combustible ni de la herramienta motorizada, ni acerque ningún fuego o llama a ellos. Tenga en cuenta que del sistema de combustible puede escapar vapor inflamable.

### 3.3.3 Instrucciones para el llenado de combustible


**ADVERTENCIA**

Para reducir el riesgo de incendios y de lesiones graves, siempre coloque la herramienta motorizada en el suelo antes de cargarla con combustible.


**ADVERTENCIA**


#### Elija una ubicación segura

Para reducir el riesgo de incendio y explosiones, cargue la herramienta motorizada con combustible al aire libre, en una zona bien ventilada, alejada de llamas, pilotos, calentadores, motores eléctricos y otras fuentes de encendido. Una chispa o llama que está a varios metros de distancia puede encender los vapores. Elija una superficie despejada para llenar el depósito y aléjese por lo menos 10 pies (3 m) del lugar en que lo haya llenado antes de arrancar el motor. Si se ha derramado combustible, limpie la zona antes de arrancar la herramienta motorizada. Tenga cuidado de no mancharse la ropa con combustible. Si esto sucediera, cámbiese de ropa inmediatamente.

#### Espera a que la herramienta motorizada se enfríe antes de quitar la tapa del depósito de combustible


**ADVERTENCIA**

Dentro del depósito de combustible se puede acumular presión de los vapores del combustible. La magnitud de la presión depende de varios factores, tales como el tipo de combustible empleado, la altitud y la temperatura. Para reducir el riesgo de quemaduras y otras lesiones personales causadas por los escapes de gas, vapores y humo, siempre apague el motor y déjelo enfriar antes de quitar la tapa del depósito de combustible.

El motor se enfría por aire. Cuando se apaga, deja de aspirar aire de enfriamiento a través del cilindro, por lo que su temperatura aumenta durante varios minutos antes de empezar a bajar. En entornos calientes, el enfriamiento precisa más tiempo. Para reducir el riesgo de quemaduras y otras lesiones personales causadas por los escapes de vapores de gas y humo, espere a que la herramienta motorizada se enfríe. Si tiene que cargar combustible antes de finalizar un trabajo, apague la máquina y espere a que el motor se enfríe antes de abrir el depósito de combustible.

#### Rocío de combustible o "efecto géiser"


**ADVERTENCIA**

Si se retira la tapa del depósito de combustible cuando este está a presión, se puede producir una liberación explosiva de gasolina, vapores y humos en todas las direcciones. La gasolina, los vapores y los humos que salen despedidos de este modo pueden causar lesiones personales graves, incendios y quemaduras, o daños a la propiedad.

El rocío de combustible, también llamado "efecto géiser", es la expulsión violenta de combustible, vapores y humo que puede suceder en condiciones de temperatura elevada, o si el motor está caliente y se abre el depósito sin esperar a que la herramienta motorizada se enfríe de modo adecuado. Este efecto es más probable cuando el depósito está lleno hasta la mitad o más.

La presión la provocan el combustible y el calor, y puede acumularse aun si el motor no ha estado en marcha. Cuando la gasolina del depó-

sito se calienta (por la temperatura ambiente, el calor del motor u otras fuentes), la presión del vapor aumenta dentro del depósito.

Algunas mezclas de gasolina, en particular las diseñadas para su uso en invierno, son más volátiles y pueden provocar una presurización más rápida del depósito o generar presiones mayores. A alturas elevadas, es más probable que se produzca una presurización del depósito de combustible.

### Cómo evitar el rocío de combustible

Si se retira la tapa del depósito de combustible cuando este está a presión, se puede producir una liberación explosiva de gasolina, vapores y humos en todas las direcciones. Para reducir el riesgo de quemaduras, lesiones graves y daños a la propiedad a causa del rocío de combustible:

- Respete las instrucciones de carga de combustible que se dan en este capítulo.
- Siempre suponga que el depósito de combustible está presurizado.
- Espere a que la herramienta motorizada se enfríe antes de quitar la tapa del depósito de combustible.
- En entornos calientes, el enfriamiento precisa más tiempo.
- El motor se enfría por aire. Cuando se apaga, deja de aspirar aire de enfriamiento a través del cilindro, por lo que su temperatura aumenta durante varios minutos antes de empezar a bajar.

Después de que la herramienta motorizada se haya apagado debidamente, atégase a las instrucciones de seguridad dadas en este capítulo para quitar la tapa.

Nunca quite la tapa girándola directamente a la posición "abierta". Primero compruebe si hay presión residual en el depósito girando la tapa lentamente aproximadamente media vuelta en sentido contrahorario. La tapa debe permanecer en su lugar, retenida por sus roscas, y permitir que salga el vapor/la presión residual. Una vez que los vapores se han aliviado, siga girando la tapa hasta que pueda quitarla de la boca del depósito.

Utilice solamente combustible de buena calidad que sea adecuado para la temporada (mezcla de invierno o de verano). Algunas mezclas de combustible, especialmente las mezclas de invierno, son más volátiles y pueden contribuir al rocío de combustible.

### Retiro de la tapa de combustible roscada



#### ADVERTENCIA

Espere a que la herramienta motorizada se enfríe y quite la tapa de llenado de combustible lentamente y con cuidado, para liberar la presión acumulada en el depósito:

- Mientras mantiene una presión constante hacia abajo, gire la tapa lentamente aproximadamente media vuelta en sentido contrahorario.
- Si se produce una ventilación significativa, vuelva a cerrar el depósito de inmediato girando la tapa en sentido horario hasta que quede cerrada. Espere a que la herramienta motorizada se enfríe más antes de abrir el depósito.
- Gire la tapa a la posición abierta solamente una vez que el contenido del depósito ya no se encuentre bajo presión.
- Nunca retire la tapa girándola directamente a la posición abierta. Espere primero a que la herramienta motorizada se enfríe de modo adecuado y libere entonces la presión acumulada girando la tapa lentamente aproximadamente media vuelta en sentido contrahorario.
- Nunca quite la tapa mientras el motor esté caliente o en marcha.

### Instalación de la tapa de combustible roscada



#### ADVERTENCIA



Si la tapa queda mal apretada, se puede aflojar y desprender a consecuencia de las vibraciones de la máquina, y se puede derramar combustible en grandes cantidades. Para reducir el riesgo de derrames y de incendio, apriete la tapa de llenado de combustible a mano con la mayor fuerza posible.

### Tapa dañada o rota


Si la tapa del depósito de combustible no se puede apretar adecuadamente, podría estar averiada o rota. Deje de usar la herramienta motorizada y llévela al concesionario autorizado de STIHL para que solucionen el problema.

### Bloqueo de vapor

## ADVERTENCIA

El bloqueo de vapor sucede cuando el combustible se vaporiza en los conductos o en el carburador y forma burbujas que impiden el flujo libre del combustible líquido hacia el carburador. El bloqueo de vapor no se puede purgar ni modificar abriendo depósito de combustible. Si se quita la tapa de llenado de combustible sin antes permitir que la herramienta motorizada se enfríe de manera adecuada, se puede causar el rocío de combustible. Siempre atégase a las instrucciones de esta sección a la hora de quitar la tapa del depósito de combustible.

Para aliviar el bloqueo de vapor:

- Apriete el bulbo de la bomba de combustible manual al menos entre 20 y 30 veces, aunque el bulbo esté lleno de combustible, para purgar el vapor y enviar combustible líquido al carburador. Entonces, arranque la herramienta motorizada. Encontrará las instrucciones de arranque específicas de su modelo en la sección correspondiente de su manual de instrucciones.
- Si el bulbo de la bomba manual de combustible no se llena, coloque la perilla del estrangulador en la posición de arranque  y tire de la cuerda de arranque hasta que el motor se ponga en marcha.
- Si la herramienta motorizada no arranca, o si se produce de nuevo un bloqueo de vapor, la herramienta motorizada se está usando en condiciones demasiado extremas para el combustible elegido. Interrumpa el uso y espere a que el motor se enfríe completamente antes de intentar arrancar la herramienta motorizada.

### 3.3.4 Antes de usar

Retire el protector para transporte e inspeccione la herramienta motorizada para comprobar si está en buenas condiciones y si funciona correctamente. (Consulte la tabla de mantenimiento que se incluye hacia el final de este manual de instrucciones).

## ADVERTENCIA

Antes de arrancarla, revise siempre la herramienta motorizada y compruebe si está en buenas condiciones y si funciona correctamente. Preste especial atención al gatillo de aceleración, al bloqueo del gatillo de aceleración, al interruptor de parada, al accesorio de corte, al deflector y al arnés. El gatillo de aceleración debe moverse libremente, y debe regresar siempre a la posición de marcha en vacío por la acción de resorte. Nunca intente modificar los controles o los dispositivos de seguridad.

## ADVERTENCIA

Revise el sistema de combustible en busca de fugas, especialmente las partes visibles, por ejemplo, la tapa de llenado, las conexiones de mangueras y la bomba de combustible manual (únicamente para herramientas motorizadas equipadas con una bomba de combustible de mano). No arranque el motor si se observan fugas o daños: riesgo de incendios. Solicite al concesionario STIHL que repare la herramienta motorizada antes de usarla.

## ADVERTENCIA

Nunca maneje una herramienta motorizada que esté dañada, mal ajustada, mal mantenida o que no se ha armado completa y debidamente.

## ADVERTENCIA

Asegúrese de que el enchufe de bujía esté firmemente colocado: un enchufe suelto puede crear un arco voltaico que encienda los vapores del combustible y provoque un incendio.

## ADVERTENCIA

No monte ningún accesorio de corte en una máquina si no están instaladas correctamente todas las piezas requeridas. Si no se utilizan las piezas adecuadas, la cuchilla o la cabeza pueden salir despedidas y provocar lesiones graves al operador o a las personas que se encuentren en los alrededores.

## ADVERTENCIA

El accesorio de corte debe estar correctamente apretado y en buen estado, sin daños. Compruebe si hay piezas sueltas (tuercas, tornillos, etc.) y cabezales agrietados o dañados, o cuchillas agrietadas, combadas, deformadas o dañadas. Sustituya las cabezas o las cuchillas que estén dañadas antes de usar la herramienta motorizada. Mantenga las cuchillas siempre afiladas.

Mantenga los mangos limpios y secos en todo momento; es particularmente importante que estén limpios de humedad, alquitrán, aceite, combustible, grasa o resina, para que usted pueda mantener la máquina empuñada firmemente y controlarla de forma segura.

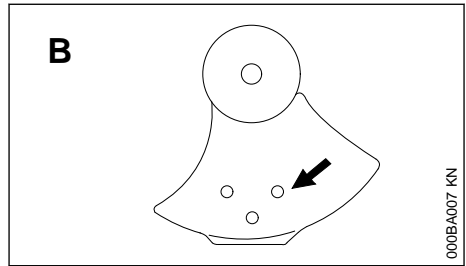
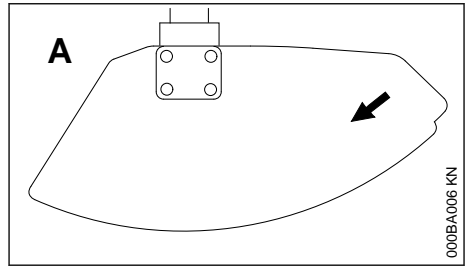
## ADVERTENCIA



Para reducir el riesgo de lesiones provocadas por contacto con la cuchilla o con el hilo, o por los objetos que salen despedidos, asegúrese de que su máquina está equipada con el deflector o tope limitador, el mango y el arnés adecuados para el tipo de accesorio de corte que va a usar (consulte la tabla del capítulo "Combinaciones aprobadas de accesorio de corte, deflector, tope limitador, mango y arnés").

Como se puede ver en la tabla, para usar algunos de los accesorios de corte puede ser necesario cambiar el deflector, el tope de límite, el mango o el arnés.

Mantenga el deflector (y la faldilla, si la hubiera), correctamente ajustado en todo momento (consulte los capítulos "Montaje del deflector" y "Montaje del accesorio de corte" de su manual de instrucciones).



Las flechas del deflector (A) y del tope de límite (B) (visto desde abajo), muestran el sentido correcto de rotación del accesorio de corte. Sin embargo, si se mira desde arriba, el accesorio de corte gira en sentido antihorario.

Ajuste el arnés de transporte y la empuñadura a su estatura y a su complejión antes de empezar a trabajar. La máquina debe quedar bien equilibrada, como se especifica en el manual de instrucciones, para que usted la pueda controlar correctamente y se fatigue menos. Para prepararse mejor de cara a una emergencia, practique e intente liberar la unidad del arnés lo más rápidamente posible.

Encontrará las instrucciones de arranque específicas de su modelo en la sección correspondiente de su manual de instrucciones.

### 3.3.5 Arranque

Arranque el motor a una distancia de por lo menos 10 pies (3 m) del lugar en que lo haya llenado de combustible.

Encontrará las instrucciones de arranque específicas de su modelo en la sección correspondiente de su manual. Coloque la herramienta motorizada sobre suelo firme o sobre otra superficie sólida en un lugar abierto. Mantenga el equilibrio y elija puntos de apoyo seguros para los pies.

**ADVERTENCIA**

Para reducir el riesgo de lesiones provocadas por contacto con las cuchillas o con el hilo, cerciódese de mantener el accesorio de corte alejado de su cuerpo y de cualquier otro obstáculo u objeto, incluido el suelo: al arrancar el motor, su velocidad será lo suficientemente rápida para que el embrague se engrane y haga girar el accesorio de corte.

Una vez que el motor haya arrancado, accione de inmediato, brevemente, el gatillo del acelerador: el acelerador de arranque debería soltarse y permitir que el motor se desacelere hasta la velocidad de marcha en vacío.

Con el motor funcionando a marcha en vacío solamente, enganche la herramienta motorizada al gancho de resorte de su arnés (consulte el capítulo correspondiente en este manual).

**ADVERTENCIA**

Su herramienta motorizada es una máquina diseñada para ser manejada por una sola persona. No permita la presencia de otras personas en el lugar de trabajo, aún durante el arranque.

**ADVERTENCIA**

Para reducir el riesgo de lesiones causadas por una pérdida del control sobre la máquina, no intente arrancar el motor de la herramienta "por lanzamiento".

**ADVERTENCIA**

Cuando tire de la empuñadura de arranque, no se enrolle la cuerda de arranque en la mano. No deje que la empuñadura retroceda bruscamente: guíe la cuerda de arranque para que se enrolle correctamente. De lo contrario, podría sufrir lesiones en la mano o en los dedos, y dañar el mecanismo de arranque.

**3.3.6 Ajustes importantes****ADVERTENCIA**

Para reducir el riesgo de lesiones personales debido a una pérdida de control o al contacto con el accesorio de corte en movimiento, no use su máquina con un ajuste incorrecto del régimen de marcha en vacío. Si la velocidad de marcha en vacío está regulada correctamente, el accesorio de corte no debería moverse. Encontrará las instrucciones sobre cómo ajustar la marcha en vacío en el apartado correspondiente de su manual de instrucciones.

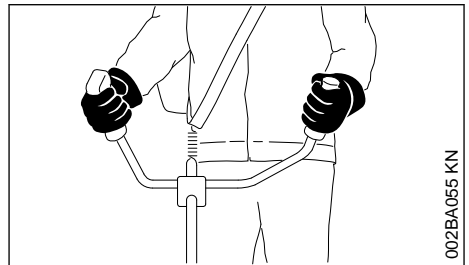
Si no puede regular correctamente la marcha en vacío, encargue a su concesionario STIHL que revise la herramienta motorizada y que haga los ajustes o las reparaciones que sean precisos.

**3.3.7 Durante el trabajo****Sujeción y control de la herramienta motorizada**

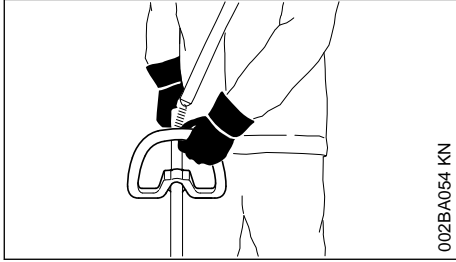
Cuando trabaje con ella, siempre sujete la máquina firmemente colocando ambas manos en los mangos.

Envuelva firmemente los mangos con todos los dedos, manteniéndolos sujetos entre los dedos índice y pulgar. Mantenga las manos en esta posición, para tener la herramienta motorizada siempre bien controlada. Asegúrese de que los mangos y las empuñaduras de su orilladora están en buenas condiciones y limpios de humedad, alquitrán, aceite, combustible o grasa.

Asegúrese de mantener siempre el equilibrio y de tener los pies bien apoyados en todo momento.

**Modelos con asa de la bicicleta**

Mano derecha en el mango de control, mano izquierda en el mango izquierdo.

**Modelos con asa de lazo**

Coloque la mano izquierda en el asa de lazo y la derecha en el mango de control, también si usted es zurdo.


**ADVERTENCIA**


Nunca intente manejar la herramienta motorizada con una sola mano. La pérdida del control sobre la herramienta motorizada puede ocasionar lesiones graves o incluso mortales. Para reducir el riesgo de cortarse, mantenga las manos y los pies alejados del accesorio de corte. No toque nunca con las manos ni con ninguna otra parte del cuerpo un accesorio de corte en movimiento.


**ADVERTENCIA**

No extienda los brazos más de lo necesario. Mantenga el equilibrio y los pies bien apoyados en todo momento. Tenga especial cuidado cuando trabaje sobre terrenos resbaladizos (suelo húmedo, nieve), difíciles o con vegetación alta y abundante. Para evitar tropezarse, preste atención a posibles obstáculos ocultos, como tocones, raíces o zanjas. Para no perder estabilidad, aparte los arbustos y el material cortado. Proceda con extrema precaución cuando trabaje en declives o en terrenos irregulares.


**ADVERTENCIA**

Para reducir el riesgo de lesiones provocadas por una pérdida de control, nunca trabaje sobre una escalera ni sobre otra superficie de apoyo que no sea segura. Nunca eleve el accesorio de corte más arriba de su cintura.

**3.3.8 Condiciones de trabajo**

Arranque y use la herramienta motorizada únicamente en exteriores, en una zona bien ventilada. Manéjela solamente en condiciones de buena visibilidad y a la luz del día. Trabaje con mucho cuidado.


**ADVERTENCIA**


Tan pronto el motor arranca, este producto genera vapores de escape tóxicos que contienen productos químicos (tales como hidrocarburos sin quemar, incluido el benceno, y monóxido de carbono). Estos productos provocan enfermedades respiratorias, cáncer, defectos de nacimiento u otra toxicidad reproductora. Algunos de estos gases (por ejemplo, el monóxido de carbono), pueden ser incoloros e inodoros. Para reducir el riesgo de lesiones o enfermedades graves o mortales provocadas por la inhalación de gases tóxicos, nunca ponga la máquina en funcionamiento en interiores ni en lugares mal ventilados.


**ADVERTENCIA**

Si la vegetación que está cortando o la tierra a su alrededor está recubierta por una sustancia química (como un pesticida o un herbicida activo), lea y siga las instrucciones suministradas con la sustancia en cuestión.

## ADVERTENCIA

La inhalación de determinados polvos, y especialmente de polvos orgánicos como el moho o el polen, puede provocar reacciones alérgicas o asmáticas en personas sensibles a estas sustancias. La inhalación repetida o en grandes cantidades de polvo y de otros contaminantes presentes en el aire, y especialmente de partículas pequeñas, puede causar enfermedades respiratorias o de otro tipo. Controle el polvo en su origen siempre que sea posible. Aplique buenas prácticas de trabajo; por ejemplo, trabaje de manera que el viento o el proceso de corte dirijan el polvo levantado por la herramienta motorizada en sentido opuesto al operador. Siga las recomendaciones de EPA/OSHA/NIOSH, de las asociaciones de trabajo y de los sindicatos en lo que respecta al polvo ("materia particulada"). Si no es posible controlar la inhalación de polvo de manera significativa, es decir, mantenerla al nivel de ambiente (fondo) o cerca del mismo, el operador y cualquier persona que se encuentre en la zona deberán usar una mascarilla aprobada por NIOSH / MSHA para el tipo de polvo que corresponda.

### 3.3.9 Instrucciones de manejo

## ADVERTENCIA

No use el bloqueo del acelerador de arranque para manejar la herramienta motorizada, puesto que así no podrá controlar la velocidad del motor.

En caso de emergencia, apague el motor inmediatamente pulsando el interruptor de parada.

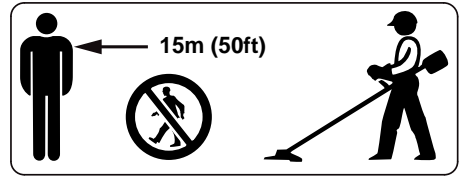
## ADVERTENCIA



El accesorio de corte sigue girando brevemente una vez que se suelta el gatillo de aceleración (efecto de volante).

## ADVERTENCIA

Cuando gira, el accesorio de corte puede lanzar objetos extraños a gran distancia, directa o indirectamente.



Para reducir el riesgo de lesiones en los ojos o en otras partes del cuerpo, lleve siempre una protección adecuada (consulte el capítulo "Vestimenta adecuada"), y asegúrese de que no haya personas a una distancia de menos de 50 pies (15 metros) de la máquina. Para reducir el riesgo de ocasionar daños a la propiedad, mantenga esta distancia con respecto a los vehículos y las ventanas. Aun manteniendo una distancia mínima de 15 metros, no se elimina por completo el peligro. Los trabajadores que deban permanecer en la zona restringida deben usar también gafas o protección ocular. Apague el motor inmediatamente si se le aproxima alguna persona.

## ADVERTENCIA



Revise la zona de trabajo. Para reducir el riesgo de lesiones, retire piedras, trozos de metal y cualquier otro objeto macizo que podría ser lanzado a 15 metros o más por el accesorio de corte, dañar el accesorio de corte o provocar daños materiales (p. ej., a vehículos estacionados o ventanas).

## ADVERTENCIA

La desmalezadora/desbrozadora se usa normalmente a nivel del suelo con el accesorio de corte paralelo al suelo. El uso de la desmalezadora/desbrozadora por encima del nivel del suelo o con el accesorio de corte en perpendicular al suelo puede aumentar el riesgo de lesiones, dado que el accesorio de corte queda más expuesto y es más difícil controlar la herramienta motorizada. No use nunca la orilladora / desmalezadora para recortar setos.

**ADVERTENCIA**

Durante el corte, revise regularmente y con frecuencia si el accesorio de corte está correctamente apretado y en buenas condiciones. Para ello, detenga el motor y el accesorio. Si nota un cambio en el comportamiento del accesorio durante el trabajo, apague el motor inmediatamente, espere a que el accesorio de corte se detenga y compruebe si la tuerca que sujeta el accesorio está bien apretada y si la cuchilla o la cabeza presentan grietas, desgaste o daños.

**ADVERTENCIA**

Una cuchilla o una cabeza suelta puede vibrar, agrietarse, romperse o desprenderse de la desmalezadora/desbrozadora y provocar lesiones graves o mortales. Asegúrese de que el accesorio de corte está apretado correctamente. Utilice la llave adjunta o cualquier otra que tenga una longitud suficiente para lograr el par de apriete adecuado. Si la cuchilla o la cabeza se aflojan después de apretarlas correctamente, deje de trabajar con la máquina inmediatamente. La tuerca de retención puede estar desgastada o dañada, y debe sustituirse. Si la cuchilla o la cabeza continúan aflojándose, consulte a su concesionario de STIHL. Nunca use una desmalezadora/desbrozadora con un accesorio de corte suelto.

**ADVERTENCIA**

Sustituya inmediatamente una cabeza que esté agrietada, dañada o gastada, o una cuchilla que esté agrietada, combada, deformada, dañada, roma o gastada, incluso si solo se ven rayas superficiales. Los accesorios que se encuentran en este estado pueden romperse a velocidades elevadas y causar lesiones graves o mortales.

**ADVERTENCIA**

Algunos cabezales de corte STIHL tienen un núcleo metálico. El contacto a alta velocidad contra una roca u otros objetos sólidos, puede crear chispas capaces de encender materiales inflamables en determinadas circunstancias. Entre los materiales inflamables se incluyen, por ejemplo, la vegetación y los arbustos secos, en particular cuando el tiempo es cálido y seco. Si existe riesgo de incendio, leve o grave, no use un cabezal de corte con núcleo metálico cerca de vegetación o matorrales secos. Póngase en contacto con las autoridades locales de control de incendios o con el servicio forestal de los EE.UU. si tiene dudas sobre si las condiciones de la vegetación y del tiempo son adecuadas para el uso de una cabeza segadora con núcleo metálico. STIHL no recomienda el uso de cabezales de corte con núcleo metálico cuando se vaya a cortar en zonas rocosas o en las que haya desperdicios u otros objetos que puedan producir chispas.

**ADVERTENCIA**

Cuando utilice cuchillas rígidas, evite cortar cerca de vallas, edificios, tocones, piedras u otros objetos de ese tipo que puedan provocar un contragolpe de la herramienta motorizada o daños en la cuchilla. STIHL recomienda el uso de cabezas con hilo de nilón para este tipo de trabajos. Además, debe prestar especial atención, porque en estas situaciones hay una mayor probabilidad de que los objetos reboten.

**ADVERTENCIA**

Si una cuchilla metálica en movimiento choca contra una roca o contra otro objeto sólido, se pueden producir chispas capaces de encender materiales inflamables en determinadas circunstancias. Entre los materiales inflamables se incluyen, por ejemplo, la vegetación y los arbustos secos, en particular cuando el clima es cálido y seco. Si existe riesgo de incendio, leve o grave, no use cuchillas metálicas cerca de materiales inflamables, ni de vegetación o matorrales secos. Póngase en contacto con las autoridades locales de control de incendios o con el servicio forestal de los EE.UU. si tiene dudas sobre si las condiciones de la vegetación y del tiempo son adecuadas para el uso de una cuchilla metálica.

**ADVERTENCIA**

Si la cabeza, la cuchilla o el deflector se obstruyen o se atascan, siempre apague el motor y asegúrese de que el accesorio de corte se ha detenido antes de proceder a la limpieza. Retire el pasto, la maleza, etc. de la cuchilla o de los alrededores de la cabeza en intervalos regulares.

**ADVERTENCIA**

Para reducir el riesgo de que el accesorio de corte rote de forma accidental y provoque lesiones, siempre apague el motor y retire el casquillo de la bujía antes de sustituir el accesorio de corte. Para reducir el riesgo de lesiones, apague siempre el motor antes de ajustar la longitud del hilo de nilón en cabezales de corte de ajuste manual.

**ADVERTENCIA**

La caja de engranajes se calienta durante el funcionamiento de la máquina. Para reducir el riesgo de sufrir lesiones por quemaduras, no toque la carcasa de la caja de cambios cuando está caliente.

**ADVERTENCIA**

Nunca modifique el silenciador. Cualquier modificación podría causar un aumento del calor irradiado, de las chispas o del nivel de ruidos, y elevar así el riesgo de incendios, quemaduras o pérdidas de capacidad auditiva. Además, se podría dañar permanentemente el motor. Encargue el mantenimiento y la reparación de su silenciador únicamente al concesionario de servicio STIHL.

**ADVERTENCIA**

El silenciador y otros componentes del motor (p. ej., las aletas del cilindro, la bujía), se calientan durante el funcionamiento y permanecen calientes durante un tiempo una vez apagado el motor. Para reducir el riesgo de quemaduras, no toque el silenciador ni otros componentes mientras están calientes. Mantenga limpia la zona que rodea el silenciador. Elimine el exceso de lubricante y cualquier otro residuo, como agujas de pinos, ramas u hojas. Deje que el motor se enfríe apoyado sobre una superficie de hormigón, metal, suelo raso o madera maciza, lejos de cualquier sustancia combustible.

**ADVERTENCIA**

Una caja de cilindro dañada o mal instalada, o una envuelta del silenciador dañada/deformada, pueden afectar al enfriamiento del silenciador. Para reducir el riesgo de incendio o de lesiones por quemadura, no continúe trabajando si la carcasa de cilindro o la envuelta del silenciador están dañadas o deformadas.

El silenciador tiene un chispero diseñado para reducir el riesgo de incendio debido a la emisión de partículas calientes. Nunca ponga la unidad en marcha si no está instalado el chispero. Si la mezcla de gasolina y aceite es correcta (no es demasiado rica), este chispero quedará limpio en condiciones normales como resultado del calor del silenciador, y no necesitará servicio ni mantenimiento. Si el rendimiento de su máquina comienza a disminuir y sospecha que el chispero está obstruido, lleve a reparar el silenciador a un concesionario de servicio STIHL. Para ciertas aplicaciones, las leyes o los reglamentos estatales o federales pueden requerir el uso de un chispero en buenas condiciones. Consulte la sección "Mantenimiento, reparación y almacenamiento" de estas Medidas de seguridad. Recuerde que el riesgo de incendios de matorrales o forestales es mayor durante las estaciones calurosas y secas.

## ADVERTENCIA



Algunas herramientas motorizadas STIHL están equipadas con un convertidor catalítico que está diseñado para reducir las emisiones de escape del motor mediante un proceso químico en el silenciador. Debido a este proceso, el silenciador no se enfría tan rápidamente como los silenciadores convencionales cuando el motor retorna a la marcha en vacío o se apaga. Para reducir el riesgo de incendios y lesiones por quemadura si usa un convertidor catalítico, apoye siempre su herramienta motorizada en posición vertical y no la coloque nunca donde el silenciador quede cerca de material seco como, por ejemplo, matorrales, pasto, virutas de madera u otros materiales combustibles mientras todavía está caliente.

## 3.4 USO DEL ACCESORIO DE CORTE

Encontrará una ilustración de los distintos accesorios de corte y las instrucciones sobre su montaje correcto en el capítulo "Montaje del accesorio de corte" de su manual de instrucciones.

## ADVERTENCIA

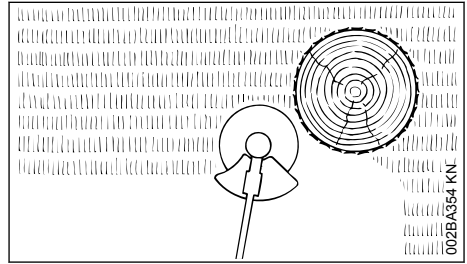
Para reducir el riesgo de lesiones graves o mortales provocadas por contacto con las cuchillas y/o por una pérdida de control, nunca intente usar una cuchilla metálica en un modelo FS para el que no está aprobada.

### 3.4.1 Uso de los cabezales de corte

No las use con un hilo de segado más largo de lo deseado. Con un deflector montado correctamente, la cuchilla limitadora integrada ajustará el hilo automáticamente al largo adecuado.

Si la máquina se usa con un hilo de corte de nilón excesivamente largo, aumenta la carga del motor y se reduce la velocidad de funcionamiento. Esto hace que el embrague patine continuamente y provoca sobrecalentamiento y daños en componentes importantes (p. ej., en el embrague y en las piezas de polímero de la carcasa). Este tipo de daños pueden provocar, entre otras cosas, que el accesorio de corte gire

cuando el motor está a la velocidad de marcha en vacío.



Las cabezas segadoras se deben usar únicamente en motoguadañas / desmalezadoras equipadas con una cuchilla limitadora del hilo en el deflector, para mantener el hilo al largo adecuado (consulte el capítulo "Piezas principales" del manual de instrucciones).

Si en los bordes del césped hay árboles plantados, una valla, etc., la mejor opción es usar una cabeza con hilo de nilón. Proporciona un corte más "suave" y reduce el riesgo de dañar la corteza de los árboles, etc., que es mayor si se usan cuchillas de polímero.

Sin embargo, la cabeza PolyCut con cuchillas de polímero de STIHL produce un mejor corte si no hay plantas a lo largo del borde del césped. No es necesario afilar, y las cuchillas de polímero desgastadas se cambian fácilmente.

## ADVERTENCIA

Para reducir el riesgo de lesiones graves, nunca use un hilo de alambre o reforzado con metal ni ningún otro material en lugar de los hilos de corte de nailon. Podrían desprenderse pedazos de alambre, que podrían salir despedidos a gran velocidad contra el operador o contra otras personas.

### Cabeza segadora SuperCut de STIHL

El hilo nuevo avanza automáticamente. Si el hilo está deshilachado, se reemplaza con un simple ajuste (consulte la hoja de instrucciones que se adjunta con la cabeza segadora).

### Cabeza segadora AutoCut de STIHL

El hilo de corte de nilón avanza automáticamente cuando se le golpea contra el suelo (TapAction).

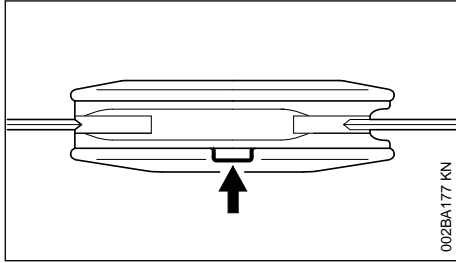
### Cabeza segadora TrimCut de STIHL

Si el hilo está deshilachado, se reemplaza con un simple ajuste (consulte la hoja de instrucciones que se adjunta con la cabeza segadora).

#### Cabezal de corte STIHL PolyCut

Utiliza hilos de nilón o cuchillas de polímero pivotantes no rígidas.

Preste atención a los indicadores de desgaste.



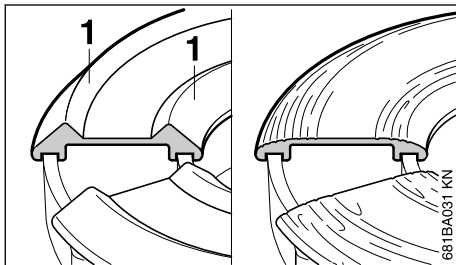
#### ⚠ ADVERTENCIA

En la base (periferia) de la PolyCut hay tres marcas de límite de desgaste rectangulares. Para reducir el riesgo de lesiones graves provocadas por la rotura de la cabeza o de las cuchillas, la PolyCut no debe utilizarse si el desgaste ha llegado a una de estas marcas. Es importante que siga las instrucciones de mantenimiento que se adjuntan con la cabeza segadora.

### Cabeza segadora FixCut de STIHL

Utiliza fragmentos de hilo de nilón precortados.

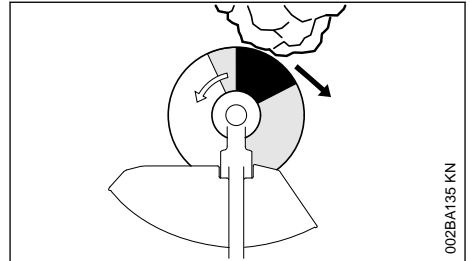
Preste atención a los indicadores de desgaste.



No siga usando la cabeza segadora si las moladuras en relieve (1) de la base están gastadas o han desaparecido por completo (véase la parte derecha de la ilustración superior). Si no tiene en cuenta esto, la cabeza segadora podría romperse, y podrían salir despedidos objetos que podrían provocar lesiones al operador o a las

personas de los alrededores. Instale un nuevo cabezal de corte.

#### 3.4.2 Riesgo de expulsión (sacudida de cuchilla) con todas las cuchillas de corte rígidas



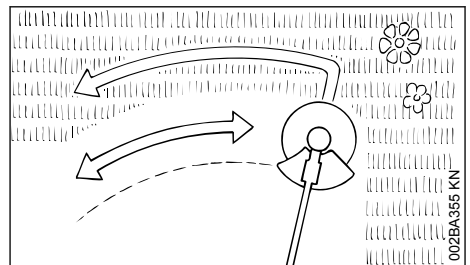
#### ⚠ ADVERTENCIA



Se denomina "expulsión" (sacudida de cuchilla) al movimiento repentino y descontrolado hacia el lado derecho o posterior del operador que puede producirse cuando la zona sombreada (especialmente la zona más oscura) de la cuchilla giratoria entra en contacto con un objeto sólido como un árbol, una roca, un arbusto o una pared. La rápida rotación de la cuchilla en sentido antihorario puede detenerse o ralentizarse, y el accesorio de corte puede salir despedido hacia la derecha o hacia atrás.

Esta expulsión (sacudida de cuchilla) puede causar la pérdida del control sobre la herramienta motorizada y provocar lesiones graves o mortales al operador o a las personas que se encuentren cerca. Para reducir el riesgo de lesiones, se debe proceder con extrema precaución cuando se corte con la zona sombreada de cualquier cuchilla rígida.

#### 3.4.3 Uso de la cuchilla para pasto



Con la cuchilla para pasto se puede cortar fácilmente todo tipo de pasto y maleza. La herramienta motorizada se utiliza dibujando un arco, de forma similar a una guadaña.



### ADVERTENCIA

Para reducir el riesgo de lesiones graves o mortales provocadas por una rotura de la cuchilla, nunca intente usar esta cuchilla para cortar materiales similares a la madera.

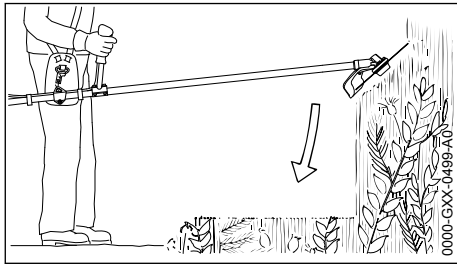
La cuchilla para pasto de 4 dientes está diseñada para cortar pasto y maleza. Tiene 4 cuchillos de corte con filo en ambos lados, esto es, en el delantero y en el trasero. Cuando los filos de corte de un lado quedan romos, la cuchilla se puede dar la vuelta para utilizar los filos de corte del otro lado.

Recomendamos usar la cuchilla para pasto de 8 dientes para cortar helechos o cañas.

Los dos tipos de cuchilla para pasto deben afilarse cuando todos los filos están romos.

#### 3.4.4 Uso de la cuchilla para matorrales

Cuando se monta en la herramienta motorizada, la cuchilla para matorrales es adecuada para aplicaciones que abarcan desde el corte de pasto enmarañado al desbrozado de maleza, vegetación silvestre y matorrales.



Para cortar vegetación silvestre y matorrales, baje la cuchilla para matorrales en movimiento hasta la maleza, para lograr un efecto de picado... pero mantenga la herramienta por debajo de la altura de su cintura en todo momento.



### ADVERTENCIA

Proceda con extrema precaución cuando use este método de corte. Cuanto más se eleve el accesorio de corte del suelo, mayor será el riesgo de que se produzca una pérdida de control y de que salgan despedidos pedazos de vegetación cortada hacia los lados.

Use la herramienta motorizada como si fuera una guadaña para cortar pasto, es decir, balanceándola hacia delante y hacia atrás, en un arco.



### ADVERTENCIA

Cuando corte materiales similares a la madera, use el lado izquierdo de la cuchilla para evitar una "expulsión" (sacudida de cuchilla).



### ADVERTENCIA

Si una cuchilla para matorrales se usa de forma inadecuada, se puede astillar, agrietar o romper. Los fragmentos de cuchilla que salen despedidos pueden provocar lesiones graves o mortales al operador o a las personas de los alrededores. Para reducir el riesgo de lesiones, evite el contacto con objetos extraños duros o macizos, como piedras, rocas o pedazos de metal.



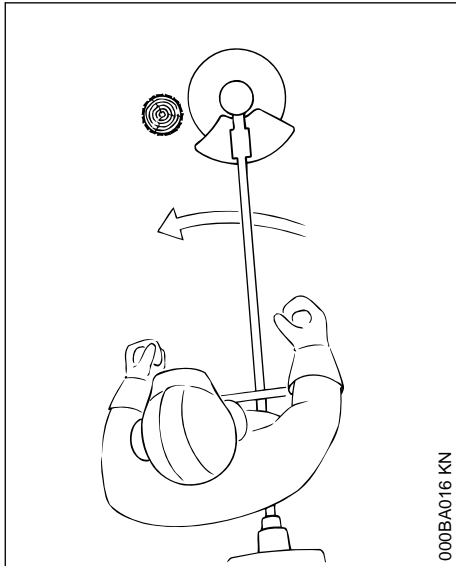
### ADVERTENCIA

Cuando corte árboles jóvenes o otros materiales similares a la madera de hasta 2 cm (3/4 in.) de diámetro, use el lado izquierdo de la cuchilla para evitar situaciones de "expulsión"; véase el apartado "Riesgo de expulsión (sacudida de cuchilla) con todas las cuchillas de corte rígidas". No intente cortar materiales similares a la madera que tengan un diámetro mayor: la cuchilla podría atascarse y lanzar la herramienta motorizada hacia delante. Esto puede provocar daños en la cuchilla o en la herramienta motorizada, o la pérdida del control sobre la herramienta motorizada, que puede resultar en lesiones personales. Use un disco de sierra para este tipo de trabajos.

## ADVERTENCIA

Inspeccione la cuchilla para matorrales con regularidad y con frecuencia, y compruebe si presenta signos de daños. No siga trabajando con una cuchilla para matorrales que esté dañada. Afíle la cuchilla para matorrales con regularidad (cuando aprecie una pérdida de filo notable).

### 3.4.5 Uso de la hoja de sierra circular

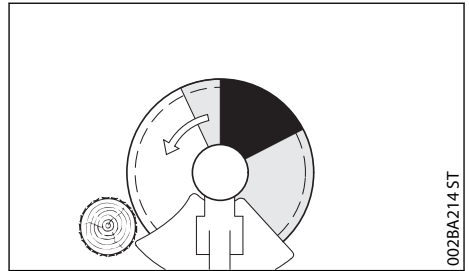


Los discos de sierra son adecuados para recortar matorrales y para cortar árboles pequeños de hasta 4 cm (1-1/2 in.) de diámetro. No intente cortar árboles con un diámetro mayor, puesto que la cuchilla podría atorarse o tirar de la orilladora / desmalezadora repentinamente hacia adelante. Esto puede causar daños en la cuchilla, o provocar la pérdida del control sobre la herramienta motorizada y provocar lesiones personales graves. Use una motosierra para este tipo de trabajos.

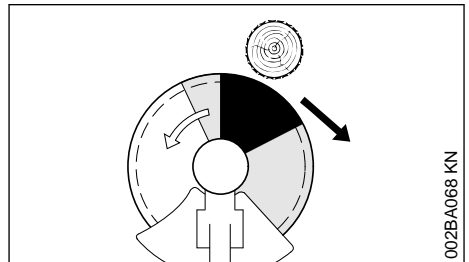
## ADVERTENCIA

Para reducir el riesgo de que la cuchilla se agriete y/o se rompa, evite todo contacto con piedras, rocas o con el suelo. Afíle las cuchillas puntualmente tal como se especifica: una cuchilla con los dientes romos puede agrietarse o romperse.

Si se usa la orilladora / desmalezadora con un disco de sierra para cortar árboles pequeños, STIHL recomienda retirar el deflector estándar y sustituirlo por el deflector tope limitador especial (consulte el capítulo "Montaje del deflector"). Este tope limitador ayuda a mantener la unidad en su posición contra el árbol durante el proceso de corte. A los usuarios que no tengan experiencia se les recomienda colocar el lado izquierdo del tope contra el tronco del árbol antes de empezar a cortar. Esto mantendrá la orilladora / desmalezadora contra el árbol durante el trabajo de corte y reducirá el riesgo de perder el control y de una posible expulsión (que se describe más arriba y brevemente más abajo).



Antes de empezar a cortar, acelere el motor al máximo. Realice el corte aplicando una presión uniforme. STIHL recomienda aplicar el disco de sierra al lado derecho del árbol, usando la zona no sombreada de la cuchilla, como se muestra en la ilustración superior.



**ADVERTENCIA**

El riesgo de expulsión es mayor cuando se corta en la zona con el sombreado más oscuro. Para reducir el riesgo de expulsión y las lesiones que pueden resultar de ello, no use esta zona del disco de sierra para cortar árboles ni matorrales. Las técnicas especiales en que se utilizan las zonas de la cuchilla con un sombreado más claro para cortar arbustos y árboles solo las deben aplicar operadores experimentados con formación especializada sobre el uso y el control de la orilladora / desmalezadora.

**ADVERTENCIA**

Para reducir el riesgo de perder el control y de que el operador o las personas de los alrededores sufran lesiones graves a consecuencia de una expulsión, nunca use un disco de sierra en una orilladora / desmalezadora con un mango circular, sino en una con manillar tipo bicicleta.

Cuando tale árboles pequeños, mantenga una distancia equivalente como mínimo a dos largos del árbol con respeto a su colega más cercano.

**ADVERTENCIA**

Para reducir el riesgo de lesiones provocadas por los objetos que salen despedidos o por contacto con la cuchilla o con el cabezal, asegúrese de volver a montar el deflector estándar cuando ya no vaya a usar la hoja de sierra circular.

### 3.5 MANTENIMIENTO, REPARACIÓN Y ALMACENAMIENTO

Los trabajos de mantenimiento, sustitución o reparación de los dispositivos y sistemas de control de emisiones de escape pueden ser realizados por cualquier taller o técnico de motores no diseñados para vehículos. Sin embargo, si reclama la garantía de algún componente que no ha sido reparado o mantenido debidamente, STIHL puede denegar la garantía.

**ADVERTENCIA**

Utilice solamente piezas de repuesto de STIHL idénticas a las originales para el mantenimiento y las reparaciones. El uso de piezas no fabricadas por STIHL puede causar lesiones graves o incluso mortales.

Respete rigurosamente las instrucciones de mantenimiento y reparación que figuran en las secciones correspondientes de su manual de instrucciones.

**ADVERTENCIA**

Siempre apague el motor y asegúrese de que el accesorio de corte está parado antes de llevar a cabo cualquier trabajo de mantenimiento, reparación o limpieza de la herramienta motorizada. No intente llevar a cabo ningún trabajo de mantenimiento o reparación que no esté descrito en su manual de instrucciones. Este tipo de trabajos deben ser realizados únicamente por el concesionario de servicio de STIHL.

Use guantes siempre que manipule las cuchillas o lleve a cabo el mantenimiento de las mismas.

**ADVERTENCIA**

Use la bujía especificada y asegúrese de que tanto esta como el cable de encendido están siempre limpios y en buen estado. Siempre inserte el casquillo de la bujía bien apretado en el borne de la bujía del tamaño adecuado. (Nota: si el borne tiene una tuerca adaptadora SAE desmontable, esta tiene que estar fijada firmemente.) Una conexión suelta entre la bujía y el conector del cable de encendido del casquillo puede crear un arco voltaico, encender los vapores del combustible y provocar un incendio.

**ADVERTENCIA**

No pruebe nunca el sistema de encendido si el casquillo de la bujía se ha retirado de la bujía, o si no está instalada la bujía, ya que las chispas al descubierto pueden causar un incendio.

**ADVERTENCIA**

Nunca maneje su herramienta motorizada si el silenciador está dañado, se ha perdido o se ha modificado. Un silenciador mal cuidado aumenta el riesgo de incendio y puede causar pérdidas de audición. El silenciador está equipado con un chispero para reducir el riesgo de incendio; no maneje nunca su herramienta motorizada si el chispero falta o está dañado. Recuerde que el riesgo de incendios de matorrales o forestales es mayor durante las estaciones calurosas y secas.

En California, constituiría una violación de los acápites § 4442 o § 4443 del Código de Recursos Públicos el uso de herramientas con motor de gasolina en tierras cubiertas por bosques, arbustos o pastos, a menos que el sistema de escape del motor cuente con un parachispas que satisfaga los requisitos legales y reciba un mantenimiento adecuado para estar en buenas condiciones de funcionamiento. El propietario/operador de este producto es responsable de garantizar un mantenimiento adecuado del parachispas. Otros estados, u otras entidades/agencias gubernamentales, tales como el Servicio Forestal de los EE.UU., pueden tener requisitos similares. Póngase en contacto con el cuerpo de bomberos o con el servicio forestal de su localidad para informarse sobre las leyes y los reglamentos relacionados con los requisitos para la prevención de incendios.



#### **ADVERTENCIA**

Nunca repare los accesorios de corte dañados aplicándoles soldadura, enderezándolos o modificando su forma. Esto podría causar el desprendimiento de alguna pieza del accesorio de corte y producir lesiones graves o mortales.

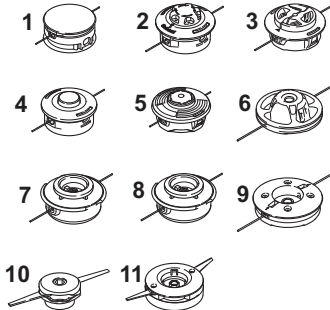
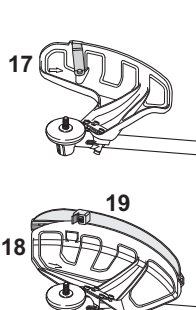
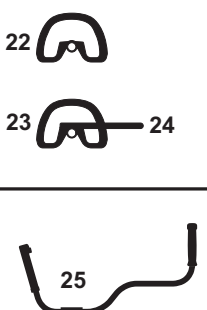
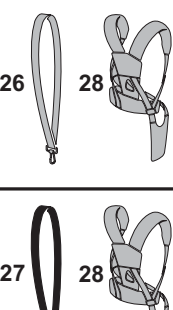
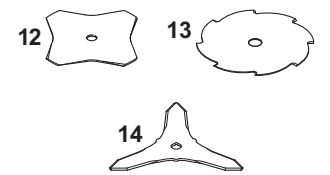
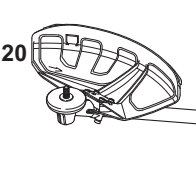
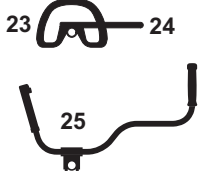
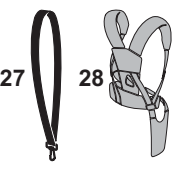
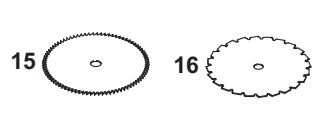
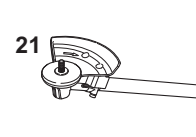
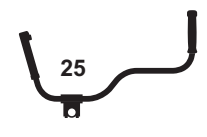

Mantenga las cuchillas afiladas. Después de cada uso, apriete todas las tuercas, los pernos y los tornillos, excepto los tornillos de ajuste del carburador.

No limpie la máquina con una hidrolavadora. El potente chorro de agua podría dañar piezas de la máquina.

Guarde la herramienta motorizada en un lugar seco y elevado o con llave, lejos del alcance de los niños.

Si la máquina va a estar guardada durante un período de más de unos pocos días, vacíe siempre el depósito de combustible. Consulte el capítulo "Almacenamiento de la máquina" del manual de instrucciones.

## 4 Combinaciones aprobadas de accesorio de corte, deflector, tope, mango y arnés

Accesorio de corte	Deflector, tope limita- dor	Mango	Correa para el hombro/ arnés
			
			
			

### 4.1 Combinaciones aprobadas

La combinación completa consta de:

- Accesorio de corte
- Deflector o tope limitador
- Mango
- Correa para el hombro/arnés

Con ayuda de la tabla, seleccione la combinación adecuada para el accesorio de corte que va a utilizar.

#### ADVERTENCIA

Para reducir el riesgo de lesiones, solo se deben usar juntos los accesorios de corte, los deflectores o toques limitadores, los mangos y los arneses que se muestran en cada una de las filas de la tabla. No se admiten otras combinaciones.

### 4.2 Accesorios de corte

#### 4.2.1 Cabezales de corte

- 1 STIHL SuperCut 20-2
- 2 STIHL AutoCut C 25-2
- 3 STIHL AutoCut C 26-2
- 4 STIHL AutoCut 25-2 / AutoCut 27-2
- 5 STIHL AutoCut 36-2
- 6 STIHL FixCut 31-2
- 7 STIHL TrimCut 31-2
- 8 STIHL TrimCut C 32-2
- 9 STIHL DuroCut 20-2
- 10 STIHL PolyCut 18-2
- 11 STIHL PolyCut 28-2

#### 4.2.2 Accesorios de corte metálicos

- 12 Cuchilla para cortar hierba 230-4 (230 mm diám.)
- 13 Cuchilla para cortar hierba 230-8 (230 mm diám.)
- 14 Cuchilla para matorrales 250-3 (250 mm diám.)
- 15 Disco de sierra con dientes de rascado 200 (200 mm diám.)
- 16 Disco de sierra con dientes de cincel 200-22 (4112), disco de sierra con dientes de cincel 200-22 HP (4001)



#### ADVERTENCIA

No están aprobadas las cuchillas para cortar hierba, cuchillas para matorrales y hojas de sierra circular no metálicas.

#### 4.3 Deflectores, tope limitador

- 17 Deflector para cabezas segadoras
- 18 Deflector con
- 19 falda y cuchilla, para cabezales de corte
- 20 Deflector sin faldilla y cuchilla, para los accesorios de corte metálicos 11 a 13
- 21 Tope limitador para discos de sierra

#### 4.4 Mangos

- 22 Mango tipo lazo
- 23 Asa tipo lazo con
- 24 barra de barrera
- 25 Manillar tipo bicicleta

#### 4.5 Arnés

- 26 Se puede usar la correa para el hombro
- 27 Se debe usar la correa para el hombro
- 28 Se puede usar el arnés completo
- 29 Se debe usar el arnés completo



#### ADVERTENCIA

Tomando como base el accesorio de corte que se esté usando:

Elija el deflector adecuado para reducir el riesgo de lesiones graves causadas por objetos que salen despedidos y por contacto con el accesorio de corte.

Asegúrese de que su unidad está equipada con el mango y con el arnés adecuados. Así, logrará reducir el riesgo de lesiones graves provocadas por una pérdida de control y por contacto con el accesorio de corte.

Para reducir el riesgo de lesiones graves por contacto con el accesorio de corte, solo use cuchillas desbrozadoras y cuchillas de cortar pasto metálicas en esta unidad si está equipada con un manillar tipo bicicleta o con un mango circular con barra de defensa. Use discos de sierra en esta unidad solo si está equipada con un manillar tipo bicicleta.

No use cuchillas de polímero rígidas en esta unidad.

## 5 Accesorios aprobados para herramientas motorizadas

Estos accesorios STIHL pueden instalarse en la herramienta motorizada básica:

Accesorio	Aplicación
BF	Cultivadora
HL 145° <sup>1)</sup>	Cortasetos de alcance largo
HT <sup>1)</sup>	Podador de varilla
KB (4601) <sup>1)</sup>	Cepillo barredor
RG <sup>2)</sup>	Desmalezadora
KW (4601) <sup>1)</sup>	Barredora PowerSweep

## 6 Montaje del manillar

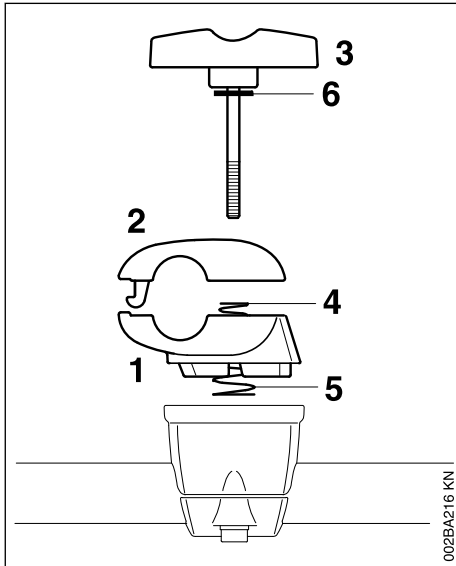
### 6.1 Montaje del manillar tipo bicicleta con soporte de mango giratorio

La máquina viene con el soporte giratorio para manillar instalado en el eje. Para montar el manillar es necesario retirar las abrazaderas moldeadas.

<sup>1)</sup> no aprobado para las máquinas con manillar tipo bicicleta

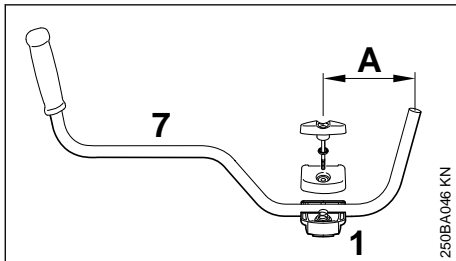
<sup>2)</sup> utilice la barra de defensa en las máquinas con mango tórico

## 6.1.1 Retiro de las abrazaderas moldeadas

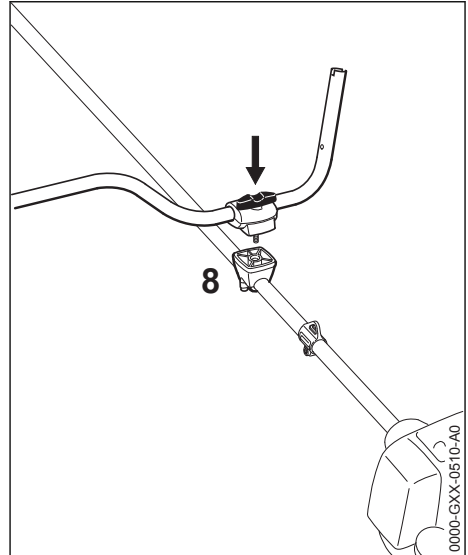


- ▶ Sujete firmemente la abrazadera inferior (1) y la abrazadera superior (2).
- ▶ Suelte el tornillo mariposa (3) – Las abrazaderas están sueltas cuando el tornillo mariposa está suelto. Los resortes (4 y 5) las separan.
- ▶ Quite el tornillo mariposa – la arandela (6) queda en el tornillo mariposa.
- ▶ Separe las abrazaderas – los resortes (4, 5) quedan en la abrazadera inferior.

## 6.1.2 Fijación del manillar

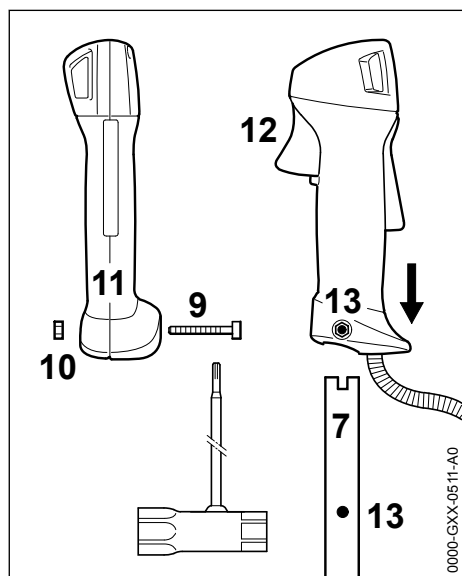


- ▶ Coloque el manillar (7) en la abrazadera inferior (1) de manera que la distancia A no mida más de 15 cm (6 pulg).
- ▶ Coloque la abrazadera superior en su lugar y mantenga juntas ambas abrazaderas moldeadas.
- ▶ Empuje el tornillo mariposa a través de las dos abrazaderas hasta el tope – mantenga juntas todas las piezas y sujételas.



- ▶ Coloque el conjunto armado en el soporte del manillar (8) con el tornillo mariposa en el lado del motor.
- ▶ Empuje el tornillo mariposa hasta el tope en el soporte del mango y atorníllelo, pero no al valor de apriete final.
- ▶ Alinee el manillar perpendicular al tubo de mando y vuelva a medir la dimensión A.
- ▶ Apriete el tornillo mariposa firmemente.

### 6.1.3 Montaje del mango de control

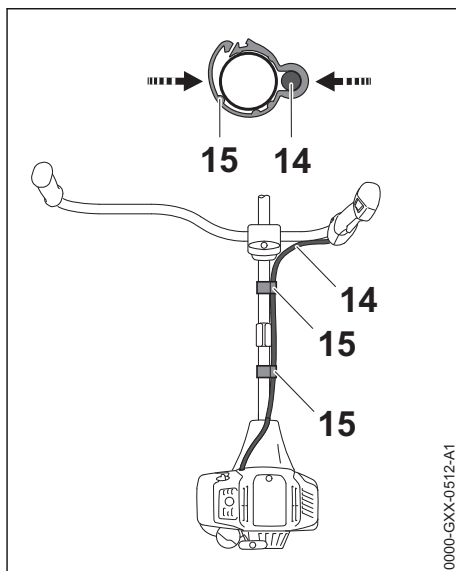


- ▶ Saque el tornillo (9) – la tuerca (10) queda en el mango de control (11).
- ▶ Empuje el mango de control en manillar (7) hasta que se alineen los agujeros (13) – el gatillo de aceleración (12) debe apuntar hacia la caja de engranajes.
- ▶ Inserte el tornillo (9) y apriételo bien firme.

### 6.1.4 Instalación del cable del acelerador

#### **INDICACIÓN**

No tuerza el cable del acelerador ni forme curvas agudas al colocar el mismo – asegúrese de que el gatillo de aceleración se mueva libremente.



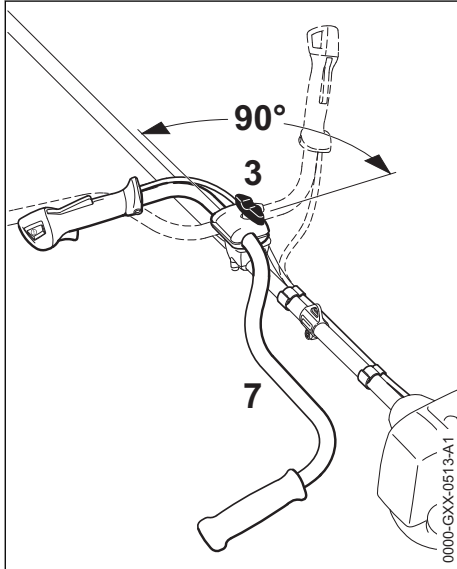
- ▶ Coloque la abrazadera (15) y el soporte del mango (14) contra el tubo de mando.
- ▶ Cierre el retenedor (15) del cable del acelerador. El retenedor (15) se engancha en su lugar.

### 6.1.5 Ajuste del cable del acelerador

- ▶ Revise el ajuste del cable del acelerador – vea el capítulo “Ajuste del cable del acelerador”.

## 6.1.6 Giro del manillar

## Posición de transporte



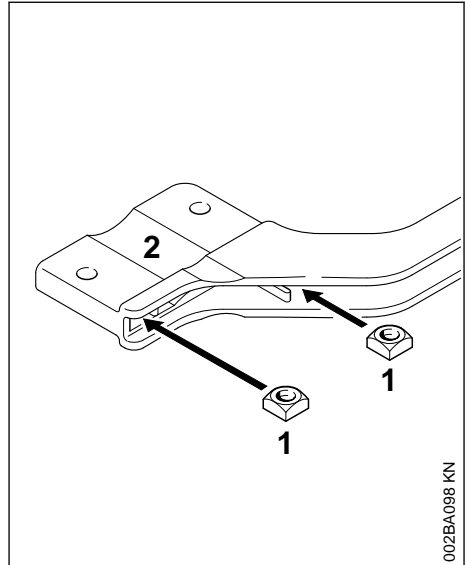
- ▶ Suelte el tornillo mariposa (3) y destorníllelo hasta que el manillar (7) pueda girarse.
- ▶ Gire el manillar en 90° en sentido contrahorario y luego gire hacia abajo los mangos.
- ▶ Apriete el tornillo mariposa (3) firmemente.

## Posición de trabajo

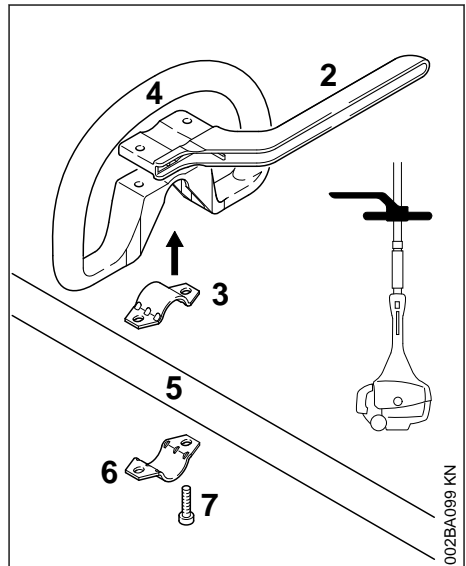
- ▶ Invierta la secuencia descrita arriba para girar los mangos hacia arriba y girar el manillar en sentido horario.

## 7 Montaje del mango tórico

## 7.1 Montaje del mango tórico con barra de defensa

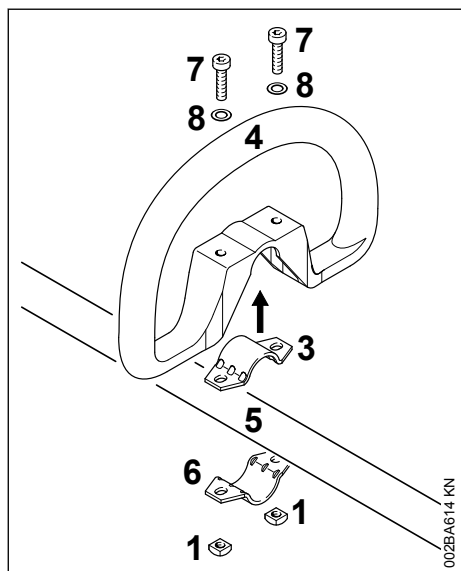


- ▶ Coloque las tuercas cuadradas (1) en la barra de defensa (2) – los agujeros deberán quedar alineados.



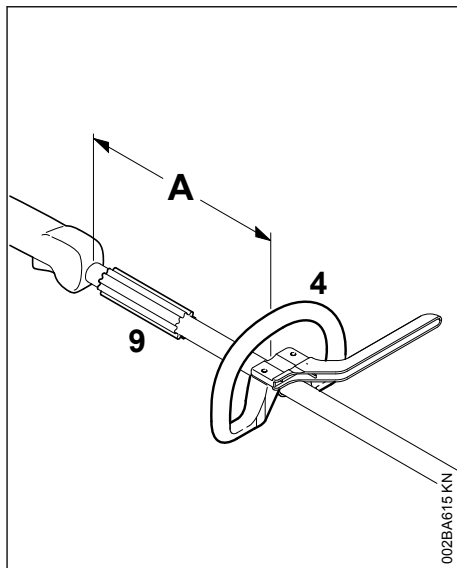
- ▶ Coloque la abrazadera (3) en el mango tórico (4) y ponga los dos en posición contra el tubo de mando (5).
- ▶ Coloque la abrazadera (6) contra el tubo de mando.
- ▶ Coloque la barra de defensa (2) en su lugar, tal como se muestra.
- ▶ Alinee los agujeros.
- ▶ Inserte los tornillos (7) en los agujeros y atornillelos en la barra de defensa (2) hasta donde topen.
- ▶ Prosiga a "Fijación del mango tórico".

## 7.2 Montaje del mango tórico sin la barra de defensa



- ▶ Coloque la abrazadera (3) en el mango tórico (4) y ponga los dos en posición contra el tubo de mando (5).
- ▶ Coloque la abrazadera (6) contra el tubo de mando.
- ▶ Alinee los agujeros.
- ▶ Instale las arandelas (8) en los tornillos (7) y meta los tornillos en los orificios. Coloque las tuerca cuadradas (1) y atornillelas a fondo.
- ▶ Prosiga a "Fijación del mango tórico".

## 7.3 Fijación del mango tórico



El mango tórico puede ajustarse de acuerdo con la talla y el alcance del operador y el uso, por medio de variar la distancia (A).

Recomendación: la distancia (A) debe medir aproximadamente 20 cm (8 pulg)

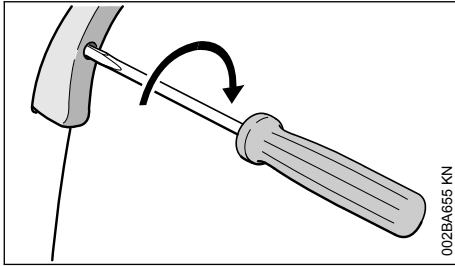
- ▶ Deslice el mango a la posición requerida.
- ▶ Alinee el mango tórico (4).
- ▶ Apriete los tornillos hasta que no sea posible girar el mango en el tubo de mando. Si no tiene instalada barra de defensa, fije las tuercas de ser necesario.

El manguito (9) (no se usa en todos los modelos) debe estar entre el mango tórico y el mango de control.

## 8 Ajuste del cable del acelerador

Puede ser necesario corregir el ajuste del cable del acelerador después de armar el soplador o después de un período prolongado de uso.

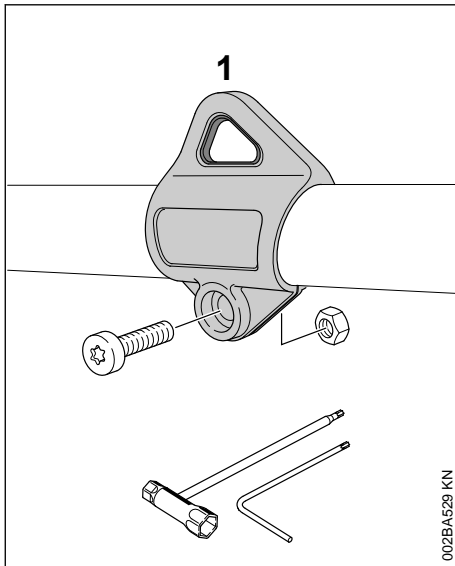
Ajuste el cable del acelerador solamente cuando la unidad esté completa y correctamente armada.



- ▶ Mueva el gatillo de aceleración en la posición de máxima aceleración.
- ▶ Gire el tornillo cuidadosamente en el gatillo de aceleración en la dirección que indica la flecha hasta que perciba una resistencia inicial. Luego gírelo otra media vuelta en el mismo sentido.

## 9 Montaje de la argolla de transporte

### 9.1 Versión en plástico polimérico

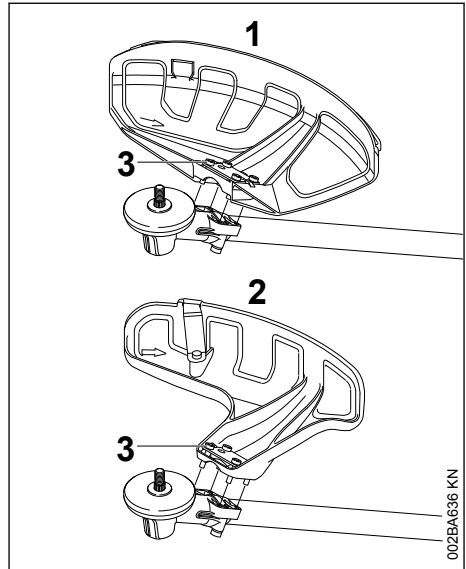


Vea "Piezas principales" para determinar la posición de la argolla de transporte.

- ▶ Empuje la argolla de transporte (1) sobre el tubo de mando.
- ▶ Inserte la tuerca M5 en el rebajo hexagonal en la argolla de transporte.
- ▶ Instale el tornillo M5x14.
- ▶ Alinee la argolla de transporte
- ▶ Apriete el tornillo firmemente.

## 10 Montaje del deflector

### 10.1 Montaje del deflector



1 Deflector para herramientas segadoras

2 Deflector para cabezas segadoras

Los deflectores (1) y (2) se instalan en la caja de engranajes de la misma manera.

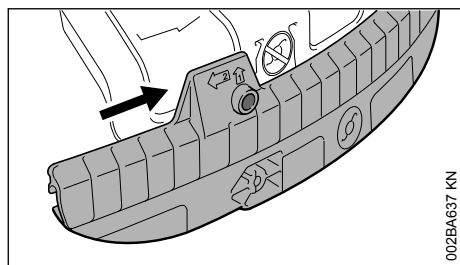
- ▶ Coloque el deflector en la brida de la caja de engranajes.
- ▶ Inserte los tornillos (3) y apriételos bien firmes.

### 10.2 Colocación de la faldilla y cuchilla

#### ⚠ ADVERTENCIA

Riesgo de lesiones causadas por objetos lanzados y por el contacto con el accesorio de corte. Estas piezas deben instalarse en el deflector (1) cuando se utiliza una cabeza segadora.

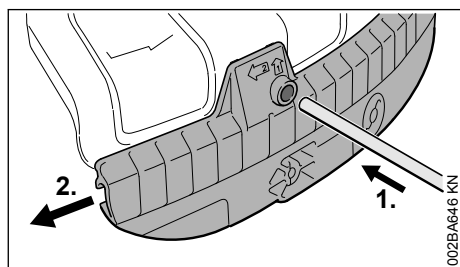
### 10.3 Colocación de la faldilla



002BA637 KN

- ▶ Deslice la ranura guía inferior de la faldilla en el deflector – debe encajar a presión en su lugar.

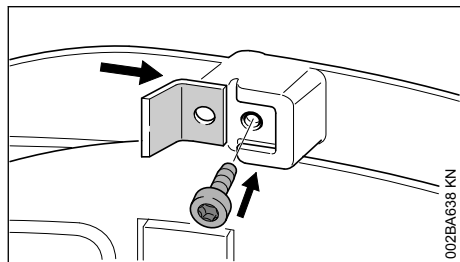
### 10.4 Retiro de la faldilla



002BA646 KN

- ▶ Inserte el pasador de tope en el agujero de la faldilla y usarlo para empujar la faldilla hasta izquierda.
- ▶ Quite la faldilla del deflector.

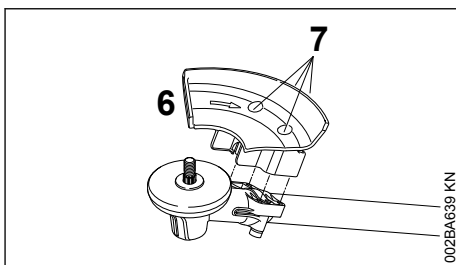
### 10.5 Montaje de la cuchilla



002BA638 KN

- ▶ Deslice la cuchilla limitadora del hilo en la guía en la faldilla.
- ▶ Inserte el tornillo y apriételo bien firme.

### 10.6 Montaje del tope limitador



002BA639 KN

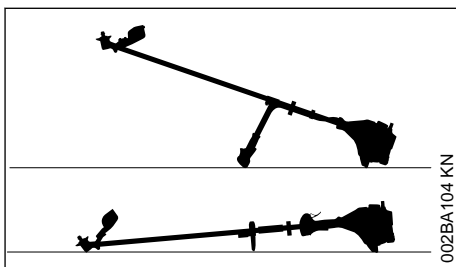
#### ⚠ ADVERTENCIA

Riesgo de lesiones causadas por objetos lanzados y por el contacto con el accesorio de corte. Siempre instale el tope limitador (6) cuando se usa una sierra circular.

- ▶ Coloque el tope limitador (6) en la brida de la caja de engranajes.
- ▶ Inserte los tornillos (7) y apriételos bien firmes.

## 11 Montaje del accesorio de corte

### 11.1 Colocación de la herramienta motorizada en el suelo



002BA104 KN

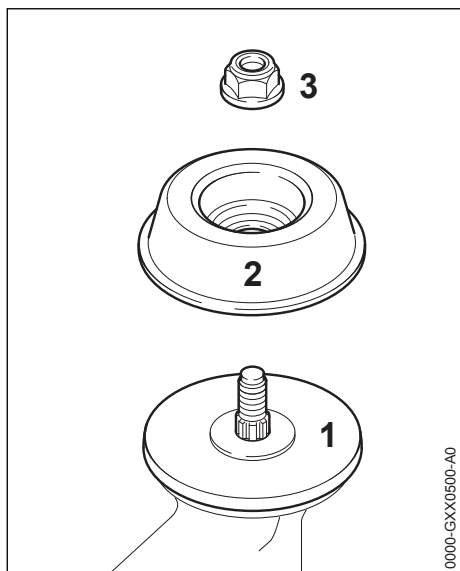
- ▶ Apague el motor.
- ▶ Apoye la herramienta sobre su parte trasera de modo que la superficie de montaje del accesorio de corte quede hacia arriba.

### 11.2 Tornillería de montaje para accesorios de corte

La tornillería de montaje suministrada depende del accesorio de corte incluido como equipo original con la nueva máquina.

#### 11.2.1 Máquina suministrada con tornillería de montaje

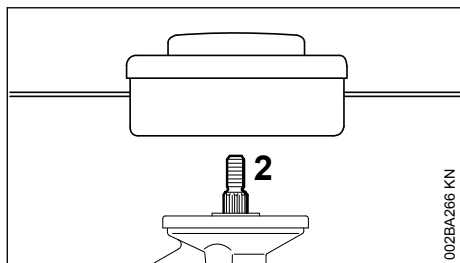
Se pueden montar cabezas segadoras y accesorios de corte metálicos.



Según el accesorio de corte, podría ser necesario emplear la tuerca (3), y la placa de refuerzo (2). Se debe usar la placa de empuje (1) con todos los accesorios de corte.

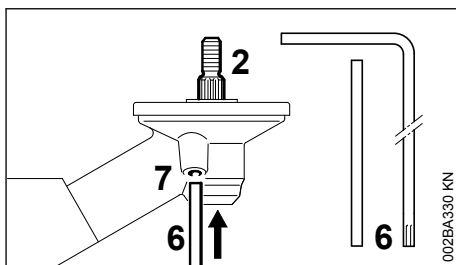
Estas piezas se incluyen en un kit suministrado con la máquina y también están disponibles como accesorios especiales.

#### 11.2.2 Máquina suministrada sin tornillería de montaje



Sólo se pueden usar las cabezas segadoras que se instalan directamente en el eje (2).

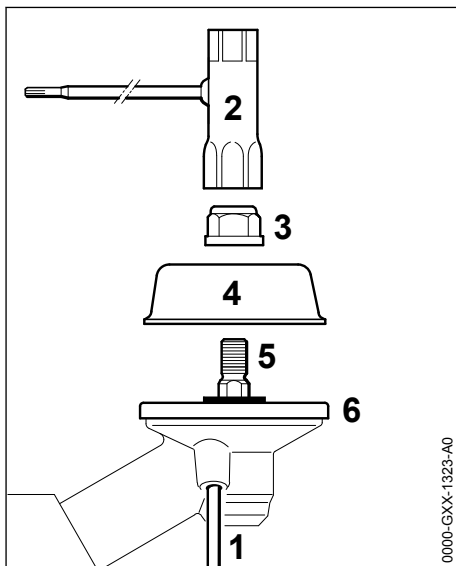
### 11.3 Bloqueo del eje



Para instalar o quitar los accesorios de corte, es necesario bloquear el eje de salida (2) con el pasador de tope (6) o un destornillador (6). Estas piezas se suministran con la máquina como equipo estándar o están disponibles como accesorios especiales.

- ▶ Inserte el pasador de tope (6) o el destornillador (6) en el agujero (7) hasta fondo en la caja de engranajes y aplique algo de presión.
- ▶ Gire el eje, la tuerca o el accesorio de corte hasta que el pasador de tope se deslice en su lugar y bloquee el eje.

### 11.4 Retiro de la tornillería de montaje



- ▶ Bloquee el eje (5) con el pasador de tope (1).
- ▶ Utilice la llave combinada (2) para aflojar y sacar la tuerca (3) en sentido horario (roscas izquierdas).

- Quite la placa de refuerzo (4) del eje (5). No retire la placa de empuje (6).

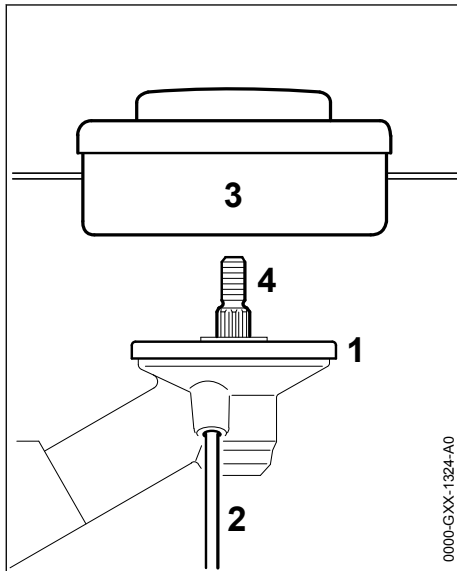
## 11.5 Montaje del accesorio de corte

### ! ADVERTENCIA

Riesgo de lesiones causadas por objetos lanzados y por el contacto con el accesorio de corte. Utilice el deflector apropiado para el accesorio de corte – vea "Montaje del deflector".

## 11.6 Colocación de cabeza segadora con tornillo de montaje

Guarde la hoja de instrucciones de la cabeza segadora en un lugar seguro.



- Instale la placa de empuje (1).
- Atornille la cabeza segadora (3) en sentido contrahorario en el eje (4) hasta donde tope.
- Bloquee el eje (4) con el pasador de tope (2).
- Apriete la cabeza segadora (3) bien firme.

### INDICACIÓN

Quite la herramienta usada para bloquear el eje.

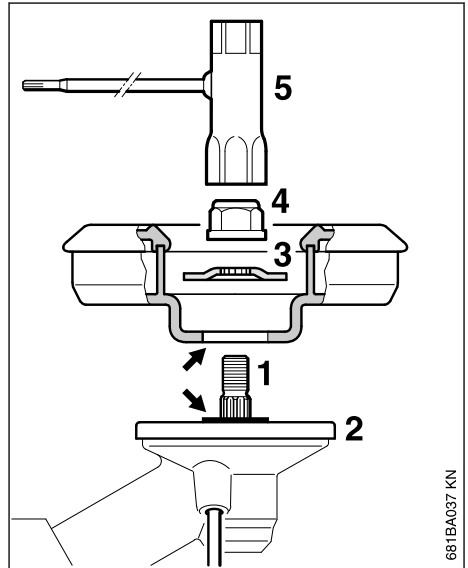
## 11.7 Retire la cabeza segadora.

- Bloquee el eje (4) con el pasador de tope (2).
- Destornille y quite la cabeza segadora (3) en sentido horario.

## 11.8 Colocación de cabeza segadora sin tornillo de montaje

Guarde la hoja de instrucciones de la cabeza segadora en un lugar seguro.

### 11.8.1 STIHL FixCut 31-2



- Instale la placa de empuje (2).
- Coloque la cabeza segadora en la placa de empuje (2).

### ! ADVERTENCIA

El collar (vea las flechas) debe encajar en el agujero de montaje de la cabeza segadora.

- Empuje la arandela de empuje (3) (lado convexo hacia arriba) sobre el eje (1) hasta que se coloque contra la base.
- Bloquee el eje.
- Utilice la llave combinada (5) para atornillar la tuerca de montaje (4) en el eje de salida y apriétela firmemente.

### ! ADVERTENCIA

Si la tuerca de montaje está demasiado floja, instale una nueva.

### INDICACIÓN

Quite la herramienta usada para bloquear el eje.

## 11.9 Retiro de la cabeza segadora

- ▶ Bloquee el eje.
- ▶ Use la llave combinada para aflojar y destornillar la tuerca de montaje en sentido contrario y quitarla del eje de salida.

## 11.10 Montaje de accesorios de corte metálicos

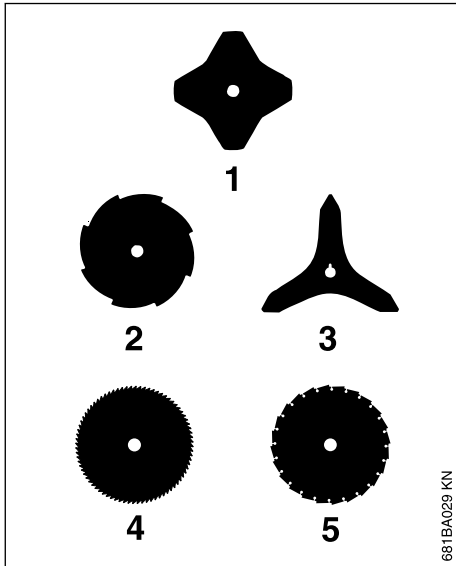
Conserve el folleto y material de embalaje del accesorio de corte metálica en un lugar seguro.

### ADVERTENCIA

Use guantes protectores para reducir el riesgo de contacto directo con los filos.

Monte solamente un accesorio de corte metálico.

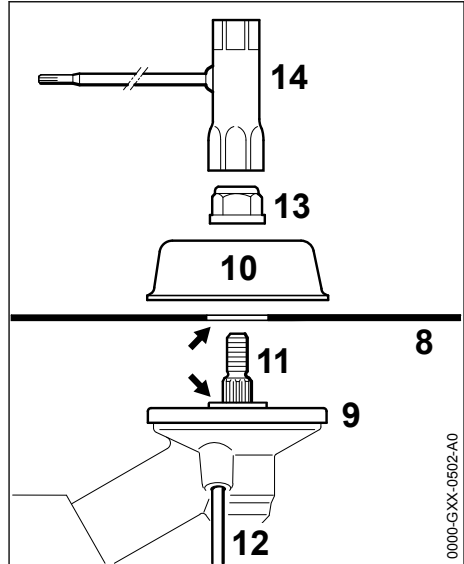
### Montaje correcto del accesorio de corte



Los accesorios con 3 o 4 filos (1, 3) pueden apuntar en cualquier sentido – estos accesorios deben invertirse a intervalos regulares para evitar desgastar solamente uno de sus lados.

Los bordes cortantes de los accesorios de corte 2, 4 y 5 deben quedar orientados en sentido horario.

El sentido de rotación está indicado por una flecha ubicada en la superficie interior del deflector.



- ▶ Instale la placa de empuje (9).
- ▶ Coloque el accesorio de corte (8) sobre la placa de empuje (9).

El collar (vea la flecha) debe encajar en el agujero de montaje del accesorio de corte.

### Sujeción del accesorio de corte

- ▶ Instale la placa de refuerzo (10).
- ▶ Bloquee el eje (11) con el pasador de tope (12).
- ▶ Utilice la llave combinada (14) para atornillar la tuerca de montaje (13) en sentido contrario en el eje de salida y apriétela firmemente.

### ADVERTENCIA

Existe el riesgo de lesionarse si el accesorio de corte se afloja. Si la tuerca de montaje está demasiado floja, instale una nueva.

### INDICACIÓN

Quite la herramienta usada para bloquear el eje.

## 11.11 Retiro del accesorio de corte metálico

### ADVERTENCIA

Use guantes protectores para reducir el riesgo de contacto directo con los filos.

- ▶ Bloquee el eje (11) con el pasador de tope (12).
- ▶ Desenrosque la tuerca de montaje (13) en sentido horario.
- ▶ Retire el accesorio de corte y su tornillería de montaje de la caja de engranajes – pero no retire la placa de empuje (9).

## 12 Combustible

Este motor está certificado para funcionar con una mezcla de 50 a 1 de gasolina sin plomo y aceite STIHL para motores de dos tiempos.

Su motor requiere una mezcla de gasolina de alta calidad y aceite para motores de dos tiempos enfriados por aire.

Utilice gasolina sin plomo de grado intermedio con un octanaje mínimo de 89 ((R+M)/2) y un contenido de etanol no superior al 10%.

El combustible con un octanaje inferior a 89 puede aumentar la temperatura del motor. Esto, a su vez, aumenta el riesgo de que se agarrote el pistón y el motor se dañe.

La composición química del combustible también es importante. Algunos aditivos de combustible no solamente tienen efectos perjudiciales en los elastómeros (diafragmas de carburador, sellos de aceite, tuberías de combustible, etc.), sino también en las piezas fundidas de magnesio y en los convertidores catalíticos. Esto podría causar problemas de funcionamiento o daños en el motor. Por esta razón, STIHL le recomienda que use exclusivamente gasolina sin plomo de buena calidad.

La gasolina con un contenido de etanol superior al 10% puede causar problemas de funcionamiento y averías graves en los motores, y no debe utilizarse.

Para más detalles, visite

[www.STIHLUSA.com/ethanol](http://www.STIHLUSA.com/ethanol)

El contenido de etanol de la gasolina afecta al régimen del motor: podría ser necesario reajustar el carburador si se utilizan combustibles con diversos niveles de contenido de etanol.



Para reducir el riesgo de lesiones provocadas por una pérdida de control y/o por contacto con la herramienta de corte en marcha, no use su máquina si el régimen de marcha en vacío está mal regulado. Si la velocidad de marcha en vacío está ajustada correctamente, la herramienta de corte no debería moverse.

Si la velocidad de marcha en vacío de la herramienta motorizada no está ajustada correctamente, encargue a un concesionario de servicio STIHL autorizado que revise la máquina y que haga los ajustes o las reparaciones que correspondan.

La velocidad de marcha en vacío y la velocidad máxima del motor varían si se cambia el combustible por otro con un contenido de etanol mucho mayor o menor.

Este problema se puede evitar utilizando siempre combustible con el mismo contenido de etanol.

Para garantizar el rendimiento máximo de su motor STIHL, use un aceite para motor de 2 tiempos de alta calidad, como los aceites para motores de 2 tiempos de STIHL. Los aceites para motores de 2 tiempos de STIHL han sido diseñados especialmente para los motores STIHL. Para que el funcionamiento de su motor sea más limpio y para reducir los depósitos de carbono nocivos, STIHL le recomienda que use el aceite para motores de 2 tiempos STIHL Ultra, o un aceite para motores de 2 tiempos de alta calidad equivalente.

Para satisfacer los requisitos de EPA y CARB, recomendamos el uso del aceite STIHL HP Ultra o de uno equivalente.

No use aceites para mezclar con designaciones NMMA o TCW (para motores de dos tiempos enfriados por agua), ni aceites para mezclar diseñados para el uso en motores enfriados tanto por agua como por aire (p. ej., en motores marinos fuera de borda, motonieves, motosiererras, bicimotos, etc.).

Tenga cuidado cuando manipule gasolina. Evite el contacto directo con la piel, así como inhalar los vapores de combustible. Cuando se reabastezca de combustible, saque primero el envase del vehículo y colóquelo en el suelo antes de proceder al llenado. Para reducir el riesgo de que se formen chispas causadas por una des-

carga de electricidad estática y de que se produzca un incendio y/o una explosión, no llene de combustible envases que estén dentro de un vehículo o remolque.

Mantenga el envase bien cerrado para limitar la cantidad de humedad que penetra en la mezcla.

Limpie el tanque de combustible de la máquina siempre que sea necesario.

## 12.1 STIHL MotoMix

STIHL recomienda el uso de STIHL MotoMix. STIHL MotoMix tiene un octanaje elevado y garantiza que siempre se utiliza la proporción correcta de mezcla de gasolina/aceite.

STIHL MotoMix se mezcla con aceite STIHL HP Ultra para motores de dos tiempos apto para motores de alto rendimiento.

Para más detalles, visite

[www.STIHLusa.com/ethanol](http://www.STIHLusa.com/ethanol)

## 12.2 Duración de las mezclas de combustible

Si no utiliza MotoMix, mezcle solo la cantidad de combustible que necesita para trabajar unos pocos días, y no la conserve durante más de 30 días. Guárdela únicamente en envases aprobados para combustible. Cuando haga la mezcla, vierta el aceite en el envase primero, y agregue después la gasolina. Cierre el envase y agítelo vigorosamente a mano para que el aceite y la gasolina se mezclen bien.

Gasolina	Aceite (STIHL 50:1 o aceites de alta calidad equivalentes)	
Litros	Litros	(ml)
1	0,02	(20)
5	0,10	(100)
10	0,20	(200)
20	0,40	(400)

gal EE.UU.	oz fl EE.UU.	
1	2,6	
2 1/2	6,4	
5	12,8	

Elimine los envases vacíos usados para mezclar el aceite únicamente en puntos autorizados para ello.

## 13 Llenado de combustible



### ADVERTENCIA



Si se quita la tapa del depósito de cuando está a presión, se podría causar la liberación explosiva de gasolina, vapores y humos en todas las direcciones. Los escapes de gasolina, vapores o humos, que a veces se denominan rocío o “efecto géiser” de combustible, pueden causar lesiones personales graves, incluso incendios y quemaduras, y daños a la propiedad.

El rocío de combustible puede suceder cuando el motor está caliente y el depósito se abre cuando está presurizado. Puede suceder en entornos cálidos, aun si el motor no ha estado en marcha. El rocío es más probable cuando el depósito está lleno a la mitad o más.

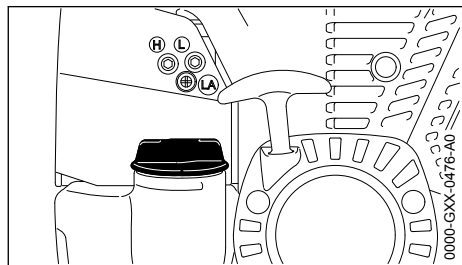
### Evite las lesiones por el rocío de combustible.

Siempre atégase a las instrucciones para el llenado de combustible dadas en este manual:

- Trate todos los depósitos de combustible como estuvieran presurizados, especialmente si están llenos a la mitad o más.
- Siempre permita que la herramienta motorizada se enfríe adecuadamente antes de abrir el depósito de combustible o llenarlo; esto tomará más tiempo en condiciones calientes.
- Nunca quite la tapa por medio de girarla directamente a la posición abierta. Primero, gírela aproximadamente 1/2 de vuelta en sentido contrahorario para aliviar la presión residual.
- Nunca abra el depósito de combustible mientras el motor esté caliente o en marcha.
- Nunca abra el depósito ni cargue combustible en la herramienta motorizada cerca de chispas, llamas u otras fuentes de encendido.
- Escoja el combustible correcto; utilice únicamente combustible de buena calidad (89 octanos o más), fresco y en una mezcla adecuada para la temporada.
- Bloqueo de vapor: no quite la tapa del depósito de combustible en un esfuerzo por eliminar un bloqueo de vapor. Quitar la tapa no surte efecto alguno sobre un bloqueo de vapor.
- Sea consciente de que el rocío de combustible es más probable a alturas mayores.



## 13.1 Preparaciones



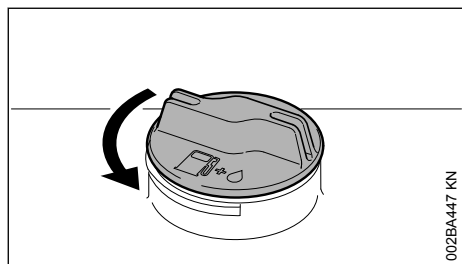
- ▶ Antes de llenar la máquina con combustible, limpie a fondo la tapa de llenado y la zona alrededor del mismo para evitar la entrada de tierra al depósito.
- ▶ Coloque la máquina de modo que la tapa de llenado quede orientada hacia arriba.



### ADVERTENCIA

Para reducir el riesgo de incendios y de lesiones corporales ocasionadas por los escapes de vapor de gasolina y otras emanaciones, quite la tapa de llenado de combustible lenta y cuidadosamente de modo que la presión que se pueda haber acumulado en el depósito se disipe lentamente.

## 13.2 Apertura



### ADVERTENCIA

Después de permitir que la herramienta motorizada se enfríe, quite la tapa de llenado de combustible de modo lento y cuidadoso para liberar la presión acumulada en el depósito:

- ▶ Mantenga aplicada una presión constante hacia abajo y gire la tapa aproximadamente 1/2 vuelta en sentido contrahorario.

- ▶ Si se produce una ventilación significativa, de inmediato vuelva a cerrar el depósito por medio de girar la tapa en sentido horario a la posición cerrada. Permita que la herramienta motorizada se enfríe adecuadamente antes de abrir el depósito.
- ▶ Gire la tapa a la posición abierta solamente después de que el contenido del depósito ya no se encuentre bajo presión.
- ▶ Retire la tapa de llenado de combustible.



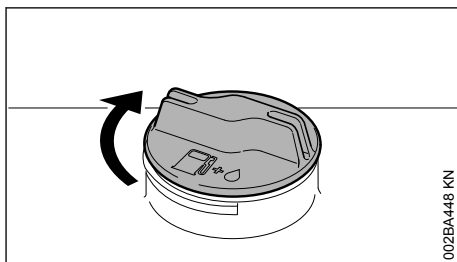
### ADVERTENCIA

Nunca quite la tapa por medio de girarla directamente a la posición abierta. Primero permita que la herramienta motorizada se enfríe de modo adecuado y libere la presión acumulada por medio de girar la tapa lentamente aproximadamente 1/2 vuelta hacia la derecha. Nunca quite la tapa mientras el motor esté caliente o en marcha.

## 13.3 Carga de combustible

Tenga cuidado de no derramar el combustible y no llene en exceso el depósito - deje un espacio de aire de aproximadamente 13 mm (1/2 pulg).

## 13.4 Cierre



### ADVERTENCIA

Si la tapa de combustible está mal apretada, la misma puede soltarse o salirse y causar el derramamiento del combustible. Para reducir el riesgo de derrames e incendio, por la colocación incorrecta de la tapa, apriete la tapa de llenado de combustible a mano con la mayor fuerza posible:

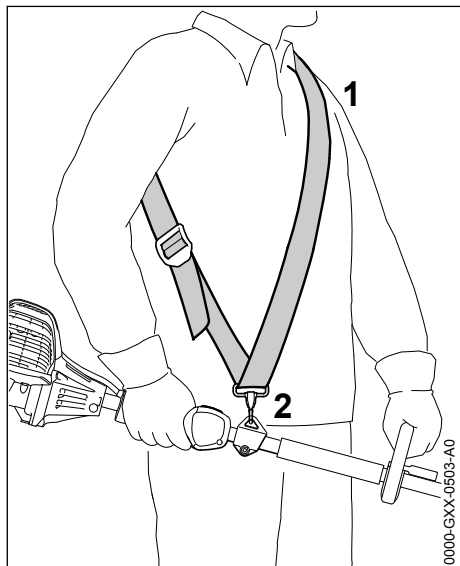
- ▶ Si no es posible apretar la tapa del depósito de combustible adecuadamente, la misma podría no ser la adecuada o está averiada. Suspense el uso de la herramienta motorizada y llévela al concesionario autorizado de STIHL para la reparación o remplazo del caso.

## 14 Uso de la correa para hombro

El tipo y el estilo de arnés/correa para hombro dependen del lugar de venta.

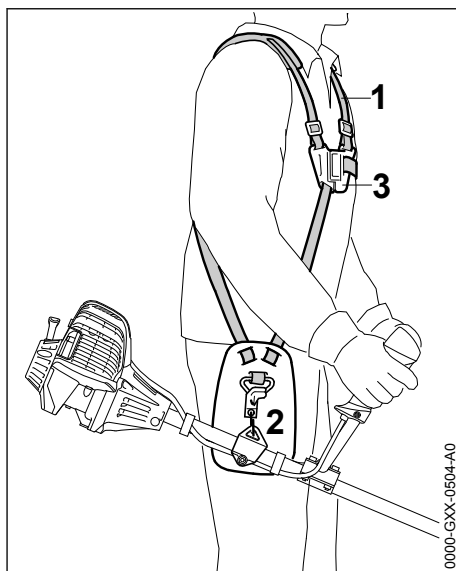
El uso de la correa para el hombro se describe en el capítulo "Combinaciones aprobadas de accesorio de corte, deflector, mango y arnés".

### 14.1 Correa para hombro



- ▶ Colóquese la correa (1) sobre el hombro.
- ▶ Ajuste el largo de la correa de modo que el mosquetón (2) quede aproximadamente el ancho de la mano por debajo de su cadera derecha.
- ▶ Equilibre la máquina – vea "Equilibrado de la máquina".

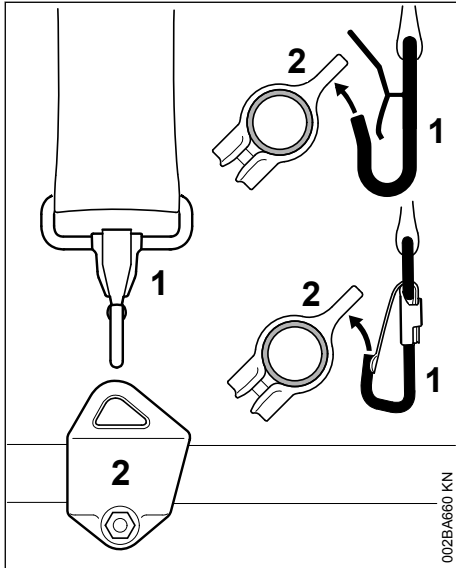
### 14.2 Arnés completo



- ▶ Colóquese el arnés (1) y cierre la placa de bloqueo (3).
- ▶ Ajuste el largo de la correa – con la máquina conectada, el mosquetón (2) debe quedar aproximadamente a la misma altura que su cadera derecha.
- ▶ Equilibre la máquina – vea "Equilibrado de la máquina".

## 15 Equilibrio de la máquina

### 15.1 Conexión de la máquina al arnés



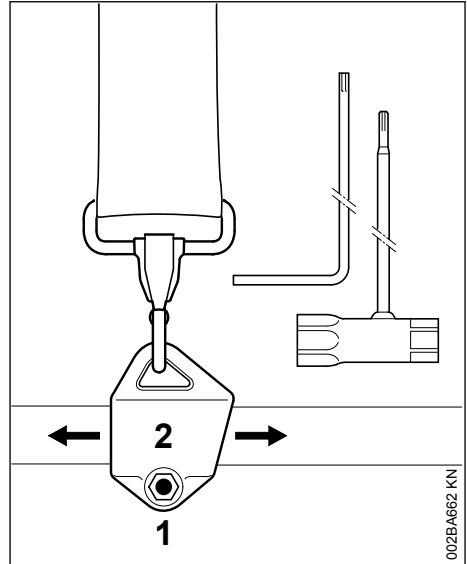
El tipo y el estilo de la correa para hombro y del mosquetón dependen del lugar de venta.

- Enganche el mosquetón (1) en la argolla para transporte (2) ubicada en el tubo de mando.

### 15.2 Equilibrio de la máquina

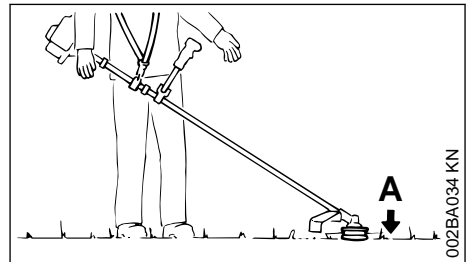
La unidad se equilibra de forma diferente, dependiendo del accesorio de corte empleado.

Proceda de la manera indicada hasta que se satisfagan las condiciones especificadas bajo "Posiciones de flotación":



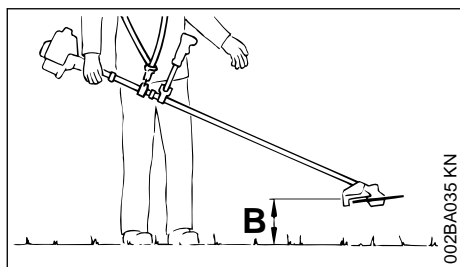
- Suelte el tornillo (1).
- Deslice la argolla de transporte (2) a lo largo del tubo de mando.
- Apriete moderadamente el tornillo (1).
- Deje que la unidad cuelgue libre.
- Verifique la posición resultante:

#### Posiciones equilibradas



Las herramientas de segado (A), tales como las cabezas segadoras, cuchillas para cortar pasto y las cuchillas para matorrales

- apenas deben tocar el suelo.



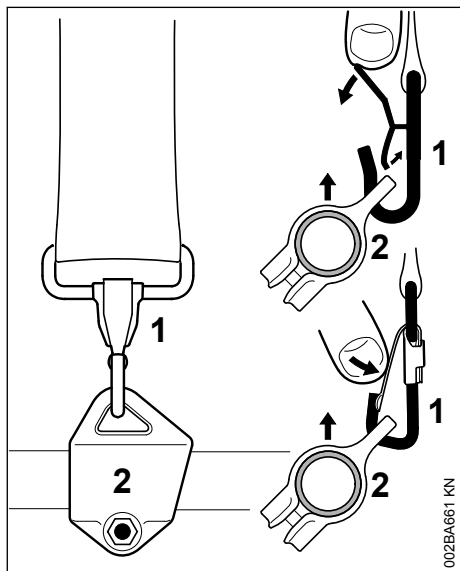
Las sierras circulares (B)

- ▶ deben quedar "flotando" a unos 20 cm (8 pulg) sobre el suelo.

Cuando se alcanza la posición equilibrada correcta:

- ▶ Apriete firmemente el tornillo (1) en la argolla de transporte.

### 15.3 Desconexión de la máquina del arnés

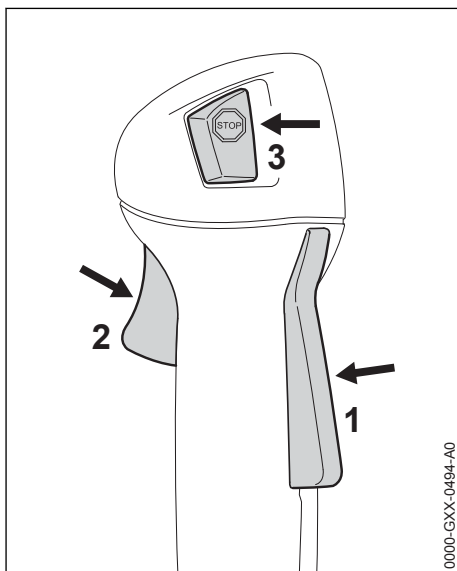


- ▶ Empuje la barra en el mosquetón (1) y extraiga la argolla de transporte (2) del mosquetón.

## 16 Arranque / parada del motor

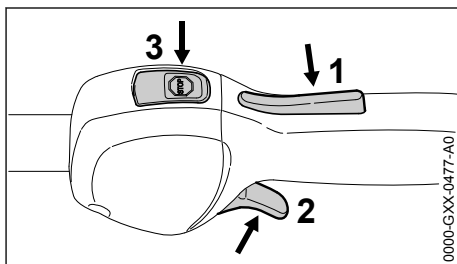
### 16.1 Controles

#### 16.1.1 Versión con manillar tipo bicicleta



- 1 Bloqueo del gatillo de aceleración
- 2 Gatillo de aceleración
- 3 Interruptor de parada con posiciones de marcha (Run) y parada (Stop). Apriete el interruptor de parada (☹) para desconectar el encendido; consulte el apartado "Funcionamiento del interruptor de parada y del sistema de encendido".

#### 16.1.2 Versión con mango circular



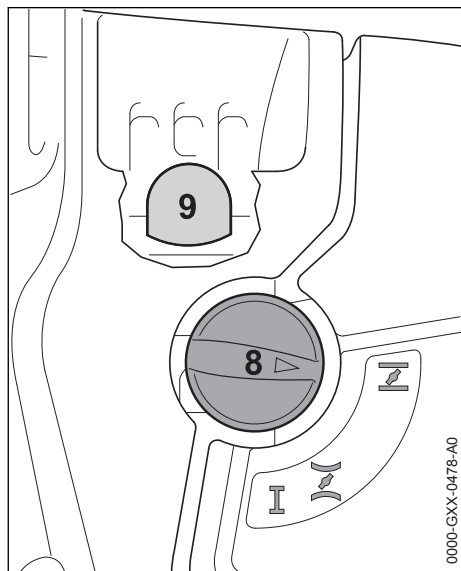
- 1 Bloqueo del gatillo de aceleración
- 2 Gatillo de aceleración

**3 Interruptor de parada con posiciones de marcha (Run) y parada (Stop). Apriete el interruptor de parada (⊖) para desconectar el encendido; consulte el apartado "Funcionamiento del interruptor de parada y del sistema de encendido".**


### 16.1.3 Funcionamiento del interruptor de parada y del sistema de encendido


Cuando se pulsa el interruptor de parada, el encendido se desconecta y el motor se detiene. Al soltarlo, el interruptor de parada vuelve automáticamente a la posición de marcha. El encendido vuelve a conectarse una vez que el motor se para: el motor está listo para arrancar de nuevo.

## 16.2 Arranque del motor



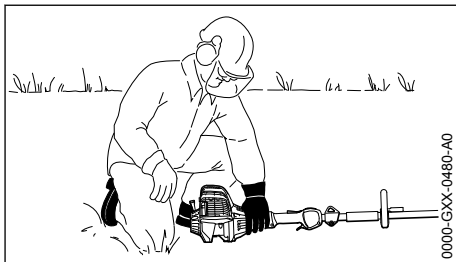
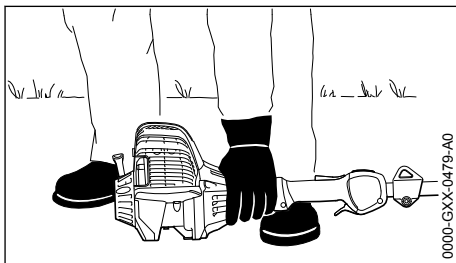
- ▶ Oprima el bulbo (9) de la bomba de combustible manual por lo menos cinco veces, aunque el bulbo esté lleno de combustible.
- ▶ Presione la perilla del estrangulador (8) y gírela a la posición adecuada para la temperatura del motor:

 Si el motor está frío

 Para un arranque en caliente. Utilice también esta posición si el motor ha estado en marcha pero todavía está frío.

La perilla del estrangulador debe engranar en su posición.

### 16.2.1 Arranque manual



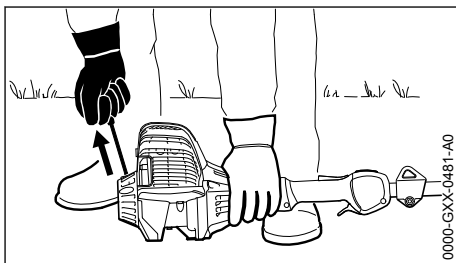
- ▶ Deposite la máquina en el suelo: debe reposar de modo seguro sobre la brida del motor y el deflector.
- ▶ Si está colocada, retire la protección para transporte del accesorio de corte.

Para reducir el riesgo de accidentes, verifique que el accesorio de corte no está tocando el suelo ni ningún otro obstáculo.

- ▶ Asegúrese de tener los pies bien apoyados, tanto cuando esté en posición erguida como cuando se agache o se arrodille.
- ▶ Sujete la máquina firmemente en el suelo con la mano izquierda y empujela hacia abajo (sin tocar el gatillo de aceleración ni la palanca de interbloqueo); su dedo pulgar debe quedar colocado bajo la carcasa del ventilador.

### INDICACIÓN

No apoye los pies ni las rodillas sobre el tubo de mando.



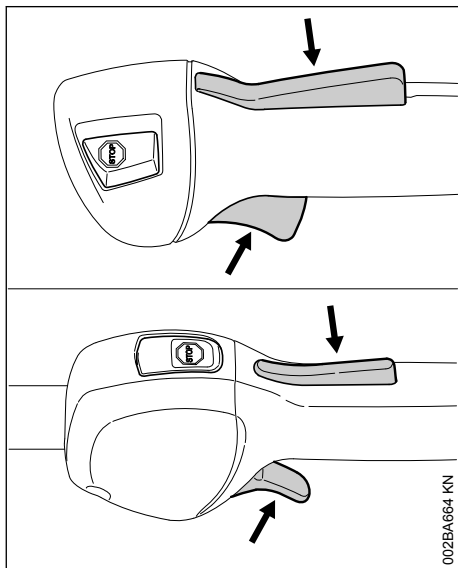
- ▶ Sujete el mango de arranque con la mano derecha.
- ▶ Tire lentamente del mango de arranque hasta que sienta que engrana y en ese momento dele un tirón fuerte y rápido.

### INDICACIÓN

No tire de la cuerda de arranque hasta sacarla por completo, puesto que se podría romper.

- ▶ No permita que el mango de arranque retroceda bruscamente. Guíelo lentamente hacia el interior de la carcasa, de modo que la cuerda de arranque se enrolle de nuevo correctamente.
- ▶ Continúe haciendo girar el motor hasta que arranque.

#### 16.2.2 Tan pronto arranque el motor



- ▶ Apriete el bloqueo del gatillo de aceleración hacia abajo y abra el acelerador; la palanca del estrangulador se desplaza a la posición de marcha I. Si ha arrancado el motor en frío, abra el acelerador varias veces para que se caliente.

### ! ADVERTENCIA

Existe el riesgo de lesionarse si el accesorio de corte continúa en marcha cuando el motor está en marcha en vacío. Ajuste el carburador de modo que el accesorio de corte no se mueva cuando el motor esté en marcha en vacío. Consulte el apartado "Ajuste del carburador".

Su máquina está lista para el uso.

### 16.3 Parada del motor

- ▶ Oprima el interruptor de parada de contacto momentáneo: el motor se para. Suelte el interruptor de parada: vuelve a la posición de marcha.

### 16.4 Sugerencias adicionales para el arranque

**El motor se cala en la posición de arranque en frío  $\text{I}$  o durante la aceleración.**

- ▶ Mueva la perilla del estrangulador a  $\text{II}$  y continúe con el arranque hasta que el motor se ponga en marcha.

**El motor no arranca en la posición de arranque en caliente  $\text{II}$**

- ▶ Mueva la perilla del estrangulador a  $\text{I}$  y continúe con el arranque hasta que el motor se ponga en marcha.

**Si el motor no arranca**

- ▶ Compruebe si todos los ajustes son correctos.
- ▶ Compruebe si hay combustible en el tanque y agregue combustible si fuera necesario.
- ▶ Compruebe si el casquillo de la bujía está conectado correctamente.
- ▶ Repita el procedimiento de arranque.

**El motor está "ahogado"**

- ▶ Mueva la perilla del estrangulador a I y continúe con el arranque hasta que el motor se ponga en marcha.

**Se agotó completamente el combustible del tanque**

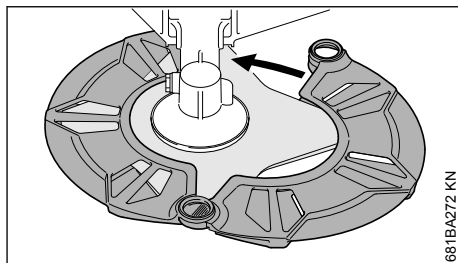
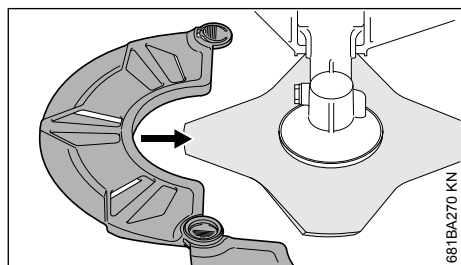
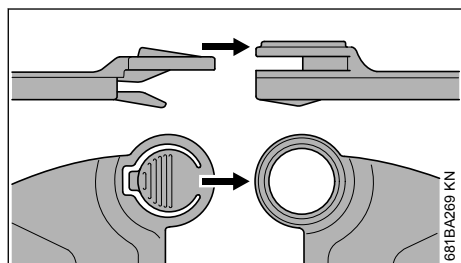
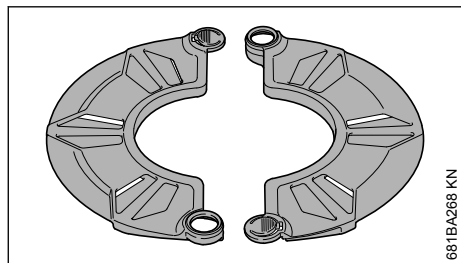
- ▶ Después de llenar el tanque, oprima el bulbo de la bomba de combustible manual por lo menos cinco veces, aunque el bulbo esté lleno de combustible.
- ▶ Ajuste la palanca del estrangulador a la posición adecuada según la temperatura del motor.
- ▶ Ahora, arranque el motor.

## 17 Traslado de la unidad

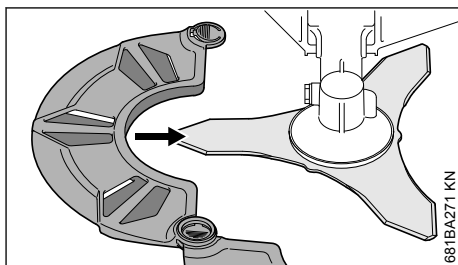
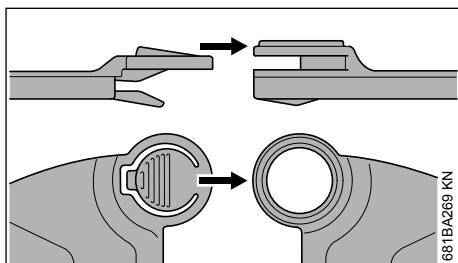
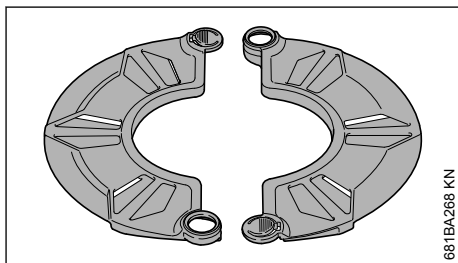
### 17.1 Uso de un protector de transporte

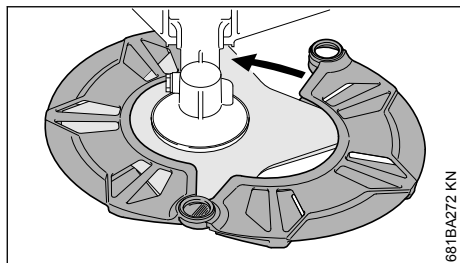
El tipo de protector de transporte que se utilice depende del accesorio de corte de metal provisto con la máquina. Los protectores de transporte están disponibles como accesorios especiales.

### 17.2 Cuchillas para pasto de 230 mm

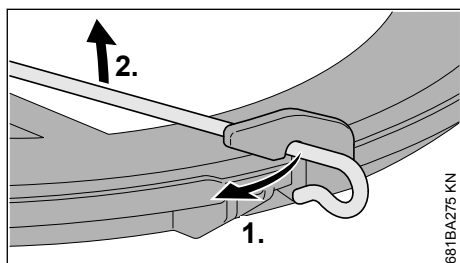
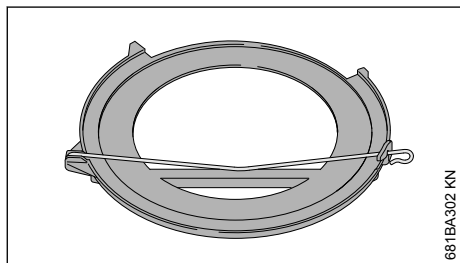


### 17.3 Cuchillas para cortar matorrales de 250 mm

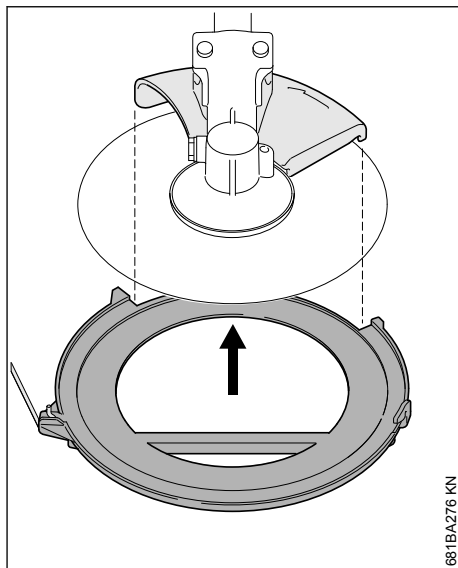




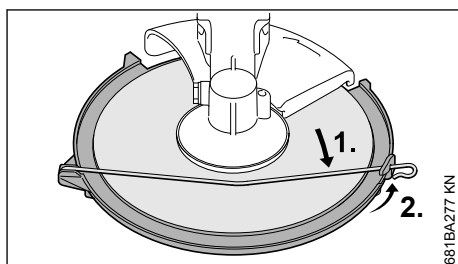
## 17.4 Sierras circulares



- Desconecte la varilla de alambre del protector de transporte.



- Gire la varilla de alambre hacia afuera.
- Monte el protector de transporte en la sierra por su parte inferior, asegurando que el tope limitador esté correctamente asentado en la parte hendida.



- Gire la varilla de alambre en su lugar.
- Conecte la varilla de alambre al protector de transporte.

## 18 Instrucciones para el uso

### 18.1 Durante el período de rodaje

Una máquina nueva de fábrica no debe hacerse funcionar a velocidad alta (aceleración máxima sin carga) por el lapso que tome llenar el tanque tres veces. Esto evita la imposición de cargas innecesariamente altas durante el período de rodaje. Ya que todas las piezas móviles deben asentarse durante el período de rodaje inicial, durante este tiempo la resistencia causada por fricción en el motor es más elevada. El motor

desarrolla su potencia máxima después de haber llenado el tanque de 5 a 15 veces.

## 18.2 Durante el trabajo

Después de un período largo de funcionamiento con el acelerador a fondo, deje funcionar el motor por un rato en ralentí de modo que el calor en el motor sea disipado por la corriente de aire de enfriamiento. Esto ayuda a evitar que los componentes montados en el motor (encendido, carburador) sufran sobrecargas térmicas.

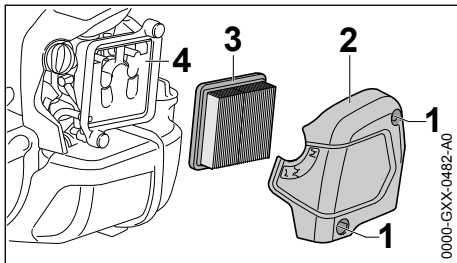
## 18.3 Después de terminar el trabajo

Almacenamiento por corto tiempo: Espere hasta que el motor se enfríe. Vacíe el tanque de combustible y guarde la máquina en un lugar seco, alejada de fuentes de encendido, hasta que la vuelva a utilizar. Para los intervalos de almacenamiento por tiempo prolongado – vea "Almacenamiento de la máquina".

## 19 Sustitución del filtro de aire

La vida útil promedio de los filtros es más de 1 año. No quite la cubierta del filtro a menos que se produzca una pérdida notable de potencia del motor.

### 19.1 Si se nota una pérdida considerable de la potencia del motor



- ▶ Gire la perilla del estrangulador a  $\overline{I}$ .
- ▶ Afloje los tornillos (1).
- ▶ Quite la cubierta del filtro (2).
- ▶ Limpie toda la suciedad de alrededor del filtro.
- ▶ Quite el elemento del filtro (3).
- ▶ Sustituya el elemento de filtro (3) si está sucio o dañado.
- ▶ Sustituya las piezas dañadas.

### 19.2 Instalación del elemento del filtro

- ▶ Instale el elemento del filtro (3) en la caja del filtro y coloque la cubierta.

- ▶ Inserte los tornillos (1) y apriételos bien firmes.

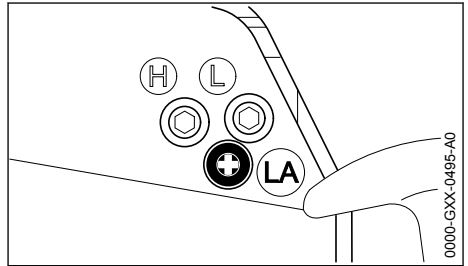
## 20 Gestión del motor

Las emisiones de gases de escape son controladas por el diseño del motor y sus componentes (por ej. carburación, encendido, sincronización y regulación de las válvulas o la lumbreira).

## 21 Ajuste del carburador

El carburador se ajusta en fábrica para garantizar que la mezcla de combustible/aire sea óptima bajo la mayoría de las condiciones de trabajo.

### 21.1 Ajuste de marcha en vacío



#### El motor se para durante el funcionamiento a marcha en vacío

- ▶ Caliente el motor por aproximadamente 3 minutos.
- ▶ Gire el tornillo de marcha en vacío (LA) lentamente en sentido horario hasta que el motor funcione de modo uniforme – el accesorio de corte no deberá funcionar.

#### El accesorio de corte funciona cuando el motor está en marcha en vacío

- ▶ Gire el tornillo de ajuste de marcha en vacío (LA) lentamente en sentido contrahorario hasta que el accesorio de corte se detenga y luego gire el tornillo de 1/2 a 3/4 de vuelta adicional en el mismo sentido.



#### ADVERTENCIA

Si el accesorio de corte sigue girando cuando el motor está funcionando a marcha en vacío, pida a su concesionario de servicio que revise y repare la máquina.

## 22 Chispero en el silenciador



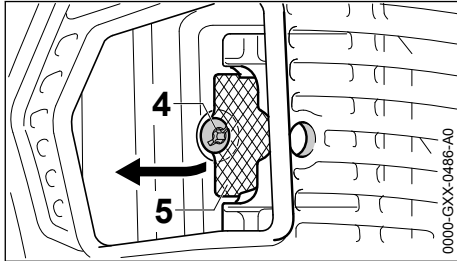
### ADVERTENCIA

Para reducir el riesgo de incendios provocados por partículas calientes que salen despedidas de la máquina, nunca utilice la máquina sin un chispero, o con un chispero dañado. No modifique el silenciador ni el chispero.

### INDICACIÓN

De acuerdo con la ley o con los reglamentos de algunos países o estados federados, determinadas operaciones solo se pueden llevar a cabo si se cuenta con un chispero en buen estado.

- ▶ Si el motor tiene poca potencia, revise el chispero del silenciador.
- ▶ Espere a que el silenciador se enfríe.



- ▶ Afloje el tornillo (4).
- ▶ Levante el chispero (5) y tire de él para sacarlo.
- ▶ Limpie el chispero (5). Si el chispero está dañado o muy carbonizado, instale uno nuevo.
- ▶ Vuelva a colocar el chispero (5).
- ▶ Coloque el tornillo (4) en su lugar y apriételo

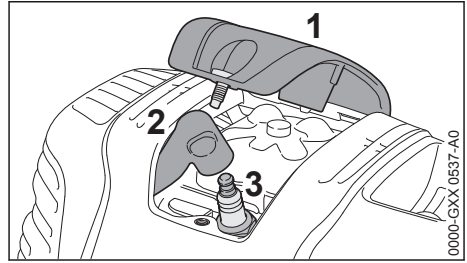
## 23 Bujía

Si el motor pierde potencia, es difícil arrancarlo o funciona de modo irregular a marcha en vacío, revise la bujía primero.

Instale una bujía nueva después de aprox. 100 horas de funcionamiento, o más temprano si los electrodos están muy gastados/corroídos.

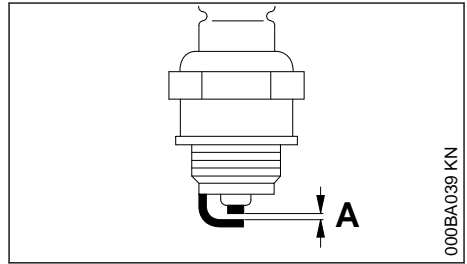
Si la mezcla del combustible es incorrecta (demasiado aceite en la gasolina), el filtro de aire está sucio, y las condiciones de trabajo no son favorables (especialmente a aceleraciones intermedias) se afecta la condición de la bujía. Estos factores permiten la formación de depósitos en la punta aislante, los cuales pueden perjudicar el rendimiento.

## 23.1 Retiro de la bujía



- ▶ Quite la cubierta (1).
- ▶ Extraiga el casquillo de la bujía (2).
- ▶ Destornille la bujía (3).

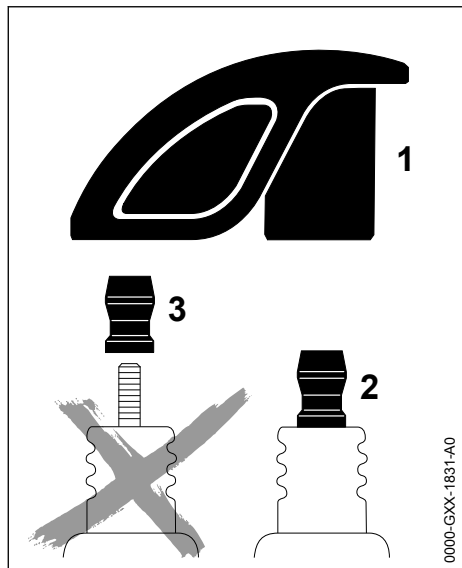
## 23.2 Revisión de la bujía



- ▶ Limpie la bujía si está sucia.
- ▶ Revise la separación entre electrodos (A) y ajústela de ser necesario – vea el capítulo "Especificaciones".
- ▶ Utilice únicamente bujías tipo resistencia cuyo margen de rendimiento sea el aprobado.

Corrija los problemas que hayan causado la contaminación de la bujía:

- demasiado aceite en la mezcla de combustible,
- filtro de aire sucio,
- condiciones desfavorables de funcionamiento, por ejemplo, funcionando bajo carga parcial.



### **!** ADVERTENCIA

Para reducir el riesgo de incendio y de quemaduras, utilice solamente las bujías autorizadas por STIHL. Siempre inserte el casquillo de la bujía (1) bien apretado en el borne de la bujía (2).

No use una bujía con un borne adaptador SAE desmontable (3). Se puede crear un arco voltaico y encender los vapores del combustible, provocando un incendio. Esto podría causar lesiones personales graves o daños graves a la propiedad.

- ▶ Use únicamente bujías de tipo resistor con bornes sólidos, sin roscas.

### 23.3 Instalación de la bujía

- ▶ Atornille la bujía (3) en el cilindro.
- ▶ Apriete la bujía (3) con la llave combinada.
- ▶ Presione el casquillo (2) firmemente sobre la bujía.
- ▶ Coloque la cubierta (1) y atorníllela con firmeza.

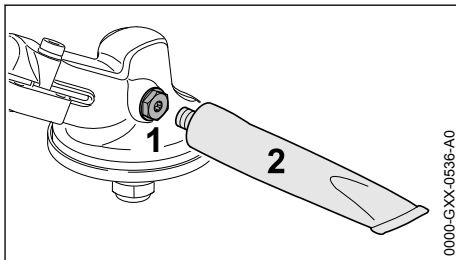
## 24 Funcionamiento del motor

Si el funcionamiento del motor es insatisfactorio aunque el filtro de aire está limpio y el carburador ha sido debidamente ajustado, la causa puede hallarse en el silenciador.

Solicite al concesionario que revise si hay contaminación (coquización) en el silenciador.

STIHL recomienda que un concesionario STIHL autorizado efectúe los trabajos de mantenimiento y reparación.

## 25 Lubricación de la caja de engranajes



Revise el nivel de grasa después de cada 25 horas de funcionamiento y volver a lubricar si es necesario.

- ▶ Saque el tapón roscado (1).
- ▶ Si no se ve grasa en el interior del tapón roscado (1): Atornille el tubo (2) de lubricante para engranajes STIHL (accesorio especial) en el agujero de llenado.
- ▶ Inyecte no más de 5 g (1/5 oz) de grasa en la caja de engranajes.

### INDICACIÓN

No llene completamente con grasa la caja de engranajes.

- ▶ Desenrosque el tubo (2).
- ▶ Inserte el tapón roscado (1) y apriételo bien firme.

## 26 Almacenamiento de la máquina

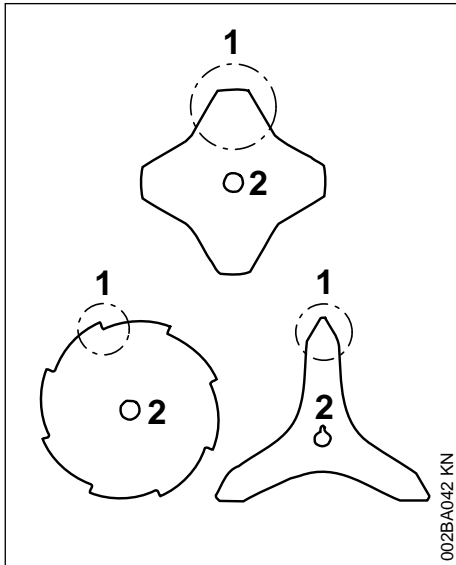
Si está fuera de servicio por períodos de alrededor de 30 días o más:

- ▶ Vacíe y limpie el tanque de combustible en una zona bien ventilada.
- ▶ Elimine el combustible de acuerdo con las normas locales de protección del medio ambiente.
- ▶ Si está instalada una bomba de combustible manual, presiónela por lo menos cinco veces.
- ▶ Arranque el motor y déjelo funcionar en marcha en vacío hasta que se detenga.

- ▶ Retire, limpie e inspeccione el accesorio de corte. Aplique a los accesorios de corte metálicos un revestimiento inhibidor de corrosión.
- ▶ Limpie a fondo la máquina, preste atención especial a las aletas del cilindro y al filtro de aire.
- ▶ Guarde la máquina en un lugar seco y bajo llave, fuera del alcance de los niños y de otras personas no autorizadas.

## 27 Afilado de los accesorios de corte

- ▶ Use una lima (vea "Accesorios especiales") para afilar los accesorios de corte romos. En el caso de desgaste o mellas más serios: Vuelva a afilar con una rectificadora o pida que el trabajo se lo haga el concesionario – STIHL recomienda acudir a un concesionario de STIHL.
- ▶ Afíle la cadena con frecuencia, rebaje tan poco metal como sea posible – dos o tres pasadas de la lima generalmente son suficientes.



- ▶ Afíle los dientes (1) uniformemente – no altere de manera alguna el contorno de la cuchilla matriz (2).

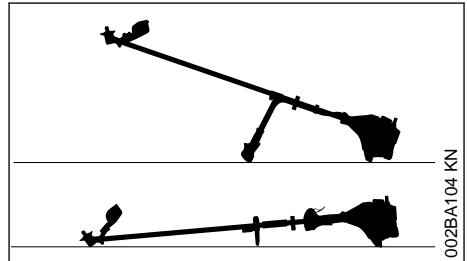
Vea las instrucciones en el embalaje del accesorio de corte para información adicional acerca del afilado. Guarde los materiales de embalaje para uso futuro.

## 27.1 Equilibrio

- ▶ Después de aproximadamente 5 afiladas, revise la cuchilla con un equilibrador STIHL – vea "Accesorios especiales" – o pida que un concesionario la revise y vuelva a ajustar el equilibrio según sea necesario – STIHL recomienda acudir a un concesionario STIHL para servicio.

## 28 Mantenimiento de la cabeza segadora

### 28.1 Colocación de la herramienta motorizada en el suelo



- ▶ Apague el motor.
- ▶ Apoye la herramienta sobre su parte trasera de modo que la superficie de montaje del accesorio de corte quede hacia arriba.

### 28.2 Sustitución del hilo de nilón

Revise siempre la cabeza segadora en busca de desgaste antes de sustituir el hilo de nilón.

#### ⚠ ADVERTENCIA

Si hay señales de desgaste serio, sustituya la cabeza segadora completa.

El hilo de segado de nilón se denomina "hilo de nilón" o "hilo" en el texto siguiente.

Con la cabeza segadora se proveen instrucciones ilustradas para la sustitución del hilo de nilón. Guarde las instrucciones de la cabeza segadora en un lugar seguro.

- ▶ De ser necesario, retire la cabeza segadora.

### 28.3 Ajuste del hilo de nilón

#### STIHL SuperCut

Un pedazo de hilo nuevo avanza automáticamente si el hilo todavía tiene una longitud mínima de 6 cm (2 1/2 pulg). La cuchilla en el deflector corta el hilo sobrante a la longitud correcta.

**STIHL AutoCut**

- ▶ Con el motor en marcha, mantenga la cabeza segadora sobre la superficie del césped.
- ▶ Golpéela suavemente contra el suelo una vez – el hilo avanza y la cuchilla en el deflector lo corta al largo correcto.

El hilo nuevo avanza cada vez que se golpea el suelo con la cabeza segadora. Por este motivo, observe el rendimiento de corte de la cabeza segadora al usarla. Si la cabeza segadora se golpea contra el suelo con frecuencia excesiva, la cuchilla limitadora recortará tramos del hilo innecesariamente.

La alimentación del hilo funciona sólo si ambos hilos miden por lo menos 2,5 cm (1 pulg) de largo.

**28.4 Sustitución del hilo de nilón**

**STIHL PolyCut**

Un tramo de largo fijo del hilo de nilón puede colocarse en la cabeza PolyCut en lugar de las cuchillas.

**STIHL DuroCut, STIHL FixCut 31-2, STIHL PolyCut**



**ADVERTENCIA**

Para reducir el riesgo de sufrir lesiones, siempre apague el motor antes de cargar el hilo en la cabeza segadora.

- ▶ Instale los tramos precortados del hilo de nilón en la cabeza segadora de la manera descrita en las instrucciones que se incluyen.

**28.5 Sustitución de cuchillas de corte**

**28.5.1 STIHL PolyCut**

Revise siempre la cabeza segadora en busca de desgaste antes de instalar las cuchillas de corte nuevas.



**ADVERTENCIA**

Si hay señales de desgaste serio, sustituya la cabeza segadora completa.

Las cuchillas de termoplástico se denominan "cuchillas" en el texto siguiente.

Se proveen instrucciones ilustradas para la sustitución de cuchillas en la cabeza segadora.

Guarde las instrucciones de la cabeza segadora en un lugar seguro.



**ADVERTENCIA**

Para reducir el riesgo de sufrir lesiones, siempre apague el motor antes de instalar las cuchillas.

- ▶ Retire la cabeza segadora.
- ▶ Sustituya las cuchillas de la manera mostrada en las instrucciones ilustradas.
- ▶ Instale la cabeza segadora en la máquina.

**29 Información para mantenimiento**

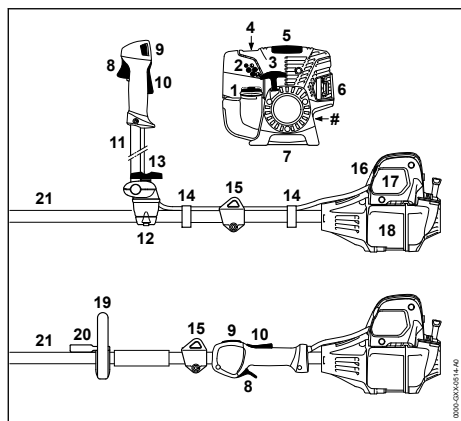
Los intervalos que figuran a continuación son aplicables en condiciones de trabajo normales. Los intervalos especificados deberán acortarse como corresponda si se trabaja durante periodos más largos de lo normal o en condiciones de corte difíciles (polvo excesivo, etc.).		Antes de empezar a trabajar	Tras finalizar el trabajo y/o a diario	Cada vez que llene el tanque	Semanalmente	Mensualmente	Anualmente	En caso de avería	En caso de daños	Cuando sea necesario
Máquina completa	Inspección visual (condición general, fugas)	X		X						
	Limpiar		X							
	Sustituir piezas dañadas	X							X	
Mango de control	Prueba de funcionamiento	X		X						

Los intervalos que figuran a continuación son aplicables en condiciones de trabajo normales. Los intervalos especificados deberán acortarse como corresponda si se trabaja durante periodos más largos de lo normal o en condiciones de corte difíciles (polvo excesivo, etc.).		Antes de empezar a trabajar	Tras finalizar el trabajo y/o a diario	Cada vez que llene el tanque	Semanalmente	Mensualmente	Anualmente	En caso de avería	En caso de daños	Cuando sea necesario
Filtro de aire	Inspección visual					X		X		
	Reemplazar <sup>2)</sup>								X	
Bomba de combustible manual (si la hubiera)	Revisar	X								
	Solicitar reparación a un concesionario especializado <sup>1)</sup>								X	
Recogedor de combustible del tanque de combustible	Encargar revisión al concesionario <sup>1)</sup>							X		
	Solicitar sustitución al concesionario de servicio <sup>1)</sup>						X		X	X
Tanque de combustible	Limpiar							X		X
Carburador	Comprobar ajuste de la marcha en vacío; el accesorio de corte no debe girar	X		X						
	Ajustar velocidad de marcha en vacío									X
Bujía	Ajustar la distancia entre electrodos							X		
	Sustituir cada 100 horas de funcionamiento									
Tomas de aire de enfriamiento	Inspección visual		X							
	Limpiar									X
Aletas del cilindro	Solicitar la limpieza al concesionario <sup>1)</sup>						X			
Juego de las válvulas	Si el motor pierde potencia o si cuesta mucho esfuerzo arrancarlo, solicite al concesionario que revise y ajuste el juego de las válvulas <sup>1)</sup>									X
Chispero del silenciador	Comprobar si está instalado	X								
	Revisar o reemplazar <sup>1)</sup>						X			
Todos los tornillos, los pernos y las tuercas accesibles (salvo los tornillos de ajuste)	Apretar									X

Los intervalos que figuran a continuación son aplicables en condiciones de trabajo normales. Los intervalos especificados deberán acortarse como corresponda si se trabaja durante periodos más largos de lo normal o en condiciones de corte difíciles (polvo excesivo, etc.).		Antes de empezar a trabajar	Tras finalizar el trabajo y/o a diario	Cada vez que llene el tanque	Semanalmente	Mensualmente	Anualmente	En caso de avería	En caso de daños	Cuando sea necesario
Elementos antivibración (amortiguadores de caucho, resortes)	Revisar	X						X		X
	Solicitar sustitución al concesionario de servicio <sup>1)</sup>								X	
Accesorio de corte	Inspección visual	X		X						
	Cambiar								X	
	Comprobar si la colocación es segura	X		X						
Accesorio de corte metálico	Afilar	X								X
Lubricación de caja de engranajes	Revisar				X					
	Llenar									X
Etiqueta de información de seguridad	Cambiar							X		

<sup>1)</sup>STIHL recomienda acudir a un concesionario STIHL  
<sup>2)</sup>Solo si hay una pérdida notable de potencia del motor

### 30 Componentes importantes



- 1 Tapa de llenado de combustible
- 2 Tornillos de ajuste del carburador
- 3 Mango de arranque
- 4 Bomba de combustible manual

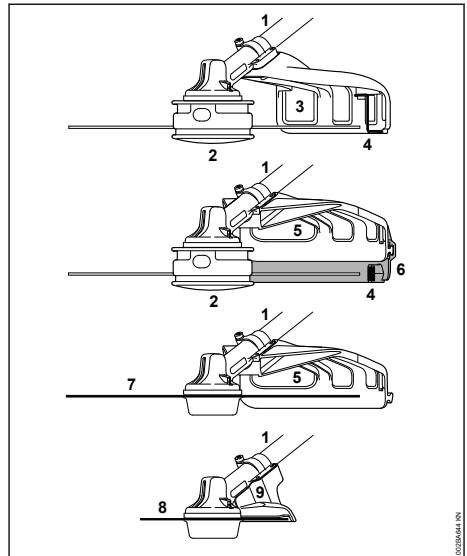
- 5 Cubierta
- 6 Silenciador con chispero
- 7 Apoyo de la máquina
- 8 Gatillo de aceleración
- 9 Interruptor de parada
- 10 Bloqueo de gatillo de aceleración
- 11 Manillar tipo bicicleta
- 12 Soporte del manillar
- 13 Tornillo mariposa
- 14 Retenedor del cable del acelerador
- 15 Argolla de transporte
- 16 Perilla de estrangulador
- 17 Cubierta del filtro de aire
- 18 Tanque de combustible
- 19 Mango tórico
- 20 Barra de defensa
- 21 Tubo de mando
- # Número de serie

### 30.1 Definiciones

- 1 **Tapa de llenado de combustible**  
Para tapar el depósito de combustible.
- 2 **Tornillos de ajuste del carburador**  
Para afinar el carburador.
- 3 **Mango de arranque**  
El mango del arrancador usado para arrancar el motor.
- 4 **Bomba de combustible manual**  
Suministra alimentación adicional de combustible para el arranque en frío.
- 5 **Cubierta**  
Cubre y protege la bujía.
- 6 **Silenciador con chispero**  
El silenciador reduce los ruidos del escape del motor y desvía los gases de escape lejos del usuario.  
El chispero está diseñado para reducir el riesgo de incendios.
- 7 **Apoyo de la máquina**  
Para apoyar la máquina en el suelo.
- 8 **Gatillo de aceleración**  
Regula la velocidad del motor.
- 9 **Interruptor de parada**  
Apaga el sistema de encendido del motor y para el motor.
- 10 **Bloqueo de gatillo de aceleración**  
Debe ser oprimido antes de poder activar el gatillo de aceleración.
- 11 **Manillar tipo bicicleta**  
Para facilitar el control de la máquina con ambas manos durante el proceso de corte.
- 12 **Soporte del manillar**  
Conecta el eje y el manillar tipo bicicleta.
- 13 **Tornillo mariposa**  
Bloquea el manillar en la posición seleccionada.
- 14 **Retenedor del cable del acelerador**  
Sujeta el cable del acelerador al tubo de mando.
- 15 **Argolla de transporte**  
Conecta la orilladora/cortadora de matorrales al arnés.
- 16 **Perilla de estrangulador**  
Facilita el arranque del motor al enriquecer la mezcla.
- 17 **Cubierta del filtro de aire**  
Encierra y protege el elemento del filtro de aire.
- 18 **Tanque de combustible**

Contiene la mezcla de combustible y aceite.

- 19 **Mango tórico**  
Para facilitar el control de la máquina durante el proceso de corte.
- 20 **Barra de defensa**  
Ayuda a mantener los pies y piernas del usuario lejos de la herramienta de corte.
- 21 **Tubo de mando**  
Encierra y protege el eje impulsor entre el motor y el mecanismo.



- 1 **Tubo de mando**
- 2 **Cabeza segadora**
- 3 **Deflector para cabezas segadoras solamente**
- 4 **Cuchilla limitadora del hilo**
- 5 **Deflector para todas las herramientas segadoras**
- 6 **Faldilla para cabezas segadoras**
- 7 **Herramienta segadora metálica**
- 8 **Cuchilla para sierra circular**
- 9 **Tope limitador para sierra circular solamente**

### 30.2 Definiciones

- 1 **Tubo de mando**  
Encierra y protege el eje impulsor entre el manguito de acoplamiento y la caja de engrajes.
- 2 **Cabeza segadora**

- El accesorio de corte, es decir la cabeza segadora, se usa para diferentes propósitos.
- 3 Deflector para cabezas segadoras solamente  
Sirve para reducir el riesgo de lesiones causadas por objetos extraños arrojados contra el operador por el accesorio de corte y por el contacto con el accesorio de corte.
  - 4 Cuchilla limitadora del hilo  
Una cuchilla metálica en el deflector para mantener el hilo de la cabeza segadora al largo adecuado.
  - 5 Deflector para todas las herramientas segadoras  
Sirve para reducir el riesgo de lesiones causadas por objetos extraños arrojados contra el operador por el accesorio de corte y por el contacto con el accesorio de corte.
  - 6 Faldilla para cabezas segadoras  
Una pieza de extensión fijada al fondo del deflector cuando se usan las cabezas segadoras.
  - 7 Accesorio de corte metálico  
El accesorio de corte, es decir la cuchilla, hecho de metal para varios propósitos.
  - 8 Cuchilla para sierra circular  
Un accesorio de corte hecho de metal para cortar madera.
  - 9 Tope limitador para sierra circular solamente  
Diseñado para colocar la herramienta motorizada firmemente contra la madera para reducir el riesgo de lesiones causadas por la pérdida de control como resultado de las fuerzas reactivas.

## 31 Especificaciones

### 31.1 EPA / CEPA

El período de cumplimiento de emisiones indicado en la etiqueta de cumplimiento de emisiones es la cantidad de horas de funcionamiento para la cual la máquina ha demostrado la conformidad con los requerimientos de emisiones del Gobierno federal de los EE.UU.

Categoría

A = 300 horas  
B = 125 horas  
C = 50 horas

### 31.2 CARB

El período de cumplimiento de emisiones empleado en la etiqueta del índice de aire CARB tiene las siguientes definiciones:

Extended = 300 horas  
Intermediate = 125 horas  
Moderate = 50 horas

## 31.3 Motor

Motor de un cilindro, cuatro tiempos, lubricado por una mezcla de gasolina con aceite

Cilindrada:	36,3 cm <sup>3</sup> (2,22 pulg <sup>3</sup> )
Diámetro:	43 mm (1,69 pulg)
Carrera:	25 mm (0,98 pulg)
Potencia del motor:	1,4 kW (1,9 bhp) a 8.500 r/min
Marcha en vacío:	2800 r/min
Velocidad de corte (nominal):	9.500 r/min
Velocidad máx. de eje de salida (accesorio de corte)	7.150 rpm
Juego de las válvulas	
Válvula de admisión:	0,10 mm (0,004 pulg)
Válvula de escape:	0,10 mm (0,004 pulg)

## 31.4 Sistema de encendido

Encendido por magneto electrónico

Bujía (tipo resistencia):	NGK CMR 6 H, STIHL ZK C 10, BOSCH USR 4AC
Distancia entre electrodos:	0,5 mm (0,02 pulg)

## 31.5 Sistema de combustible

Carburador de diafragma de todas posiciones con bomba de combustible integral

Capacidad del depósito de 0,71 l (24 oz fl) combustible:

## 31.6 Peso

Seco, sin accesorio de corte y deflector

FS 131:	5,8 kg (12,8 lb)
FS 131 R	5,5 kg (12,1 lb)

## 31.7 Largo total


sin accesorio de corte 1800 mm (71 pulg)

## 31.8 Características

R	Mango tórico
Z	Chispero en silenciador

## 32 Información de reparación

Los usuarios de esta máquina deben efectuar únicamente los trabajos de mantenimiento descritos en este manual. STIHL recomienda que un concesionario de servicio STIHL efectúe los demás trabajos de reparación utilizando piezas de repuesto genuinas de STIHL.

Es posible identificar las piezas originales de STIHL por el número de pieza STIHL, el logotipo de **STIHL** y, en ciertos casos, el símbolo .

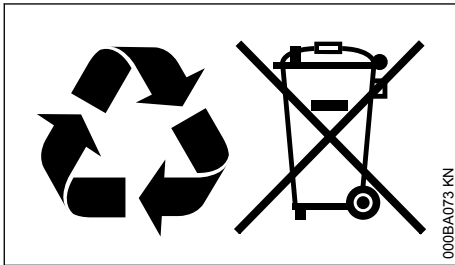
de piezas STIHL. En las piezas pequeñas el símbolo puede aparecer solo.

**Para reparar algún componente del sistema de control de emisiones de aire, consulte la garantía de sistemas de emisiones dada en este manual.**

### 33 Desecho

Comuníquese con las autoridades locales o con su concesionario de servicio de STIHL para obtener información sobre la eliminación de desechos.

La eliminación inadecuada de desechos puede ser perjudicial para la salud y contaminar el medio ambiente.



- ▶ Lleve los productos STIHL, incluido el embalaje, a un punto de recolección adecuado para su reciclaje de acuerdo con las regulaciones locales.
- ▶ No los deseche con los residuos domésticos.

### 34 Garantía limitada

#### 34.1 Política de garantía limitada de STIHL Incorporated para piezas y componentes no relacionados con las emisiones

Este producto se vende sujeto a la Política de garantía limitada de STIHL Incorporated, disponible en

[www.stihlusa.com/warranty.html](http://www.stihlusa.com/warranty.html)

También puede obtenerlo de un concesionario de servicio STIHL autorizado o llamando al 1-800-GO-STIHL (1-800-467-8445).

Se proporciona una garantía aparte para el sistema de control de emisiones y para los componentes relacionados con el sistema de emisiones.

### 35 Declaración de garantía de STIHL Incorporated sobre

## sistemas de control de emisiones según normas Federales

### 35.1 No para California

#### 35.1.1 Sus derechos y obligaciones de garantía

La Agencia de Protección del Medio Ambiente (EPA) de los EE.UU. y STIHL Incorporated se complacen en explicarle la garantía del sistema de control de emisiones instalado en el motor de su equipo. En los EE.UU., los nuevos motores pequeños para equipos de uso fuera de carretera modelos 1997 y posteriores deben estar diseñados, construidos y equipados, al tiempo de la venta, de conformidad con los reglamentos de la EPA de los EE.UU. para los motores pequeños de uso fuera de carretera. El motor del equipo debe carecer de defectos en el material y la fabricación que puedan causar el incumplimiento de las normas de la EPA de los EE.UU. durante los primeros dos años de uso del motor a partir de la fecha de compra por el último comprador.

STIHL Incorporated debe garantizar el sistema de control de emisiones en el motor pequeño para uso fuera de carretera por el intervalo mencionado más arriba, siempre que dicho motor no haya estado sujeto a maltrato, negligencia o cuidado inapropiado.

El sistema de control de emisiones de su máquina incluye piezas tales como el carburador y el sistema de encendido. Además puede incluir mangueras, conectores y otros conjuntos relativos a emisiones.

En los casos de existir una condición amparada bajo garantía, STIHL Incorporated reparará el motor pequeño para equipo de uso fuera de carretera sin costo alguno, incluido el diagnóstico (si el trabajo de diagnóstico fue realizado por un concesionario autorizado), las piezas y la mano de obra.

#### 35.1.2 Cobertura de garantía del fabricante

En los EE.UU., los motores pequeños para equipos de uso fuera de carretera modelos 1997 y posteriores también están garantizados por dos años. En el caso de encontrarse defectos en cualquiera de las piezas del motor relacionadas con el sistema de control de emisiones, la pieza será reparada o sustituida por STIHL Incorporated sin costo alguno.

### 35.1.3 Responsabilidades del propietario relativas a la garantía

Como propietario de motor pequeño para equipo de uso fuera de carretera, usted tiene la responsabilidad de realizar el mantenimiento requerido descrito en su manual de instrucciones. STIHL Incorporated le recomienda guardar todos los recibos comprobantes de los trabajos de mantenimiento hechos a su motor pequeño para equipo de uso fuera de carretera, pero STIHL Incorporated no puede negar garantía basado en el solo hecho de faltar los recibos o del incumplimiento del propietario de realizar todos los trabajos de mantenimiento programados.

El uso de cualquier pieza de repuesto o servicio cuyo comportamiento y durabilidad sean equivalentes está permitido en trabajos de mantenimiento o reparación no contemplados en la garantía, y no reducirá las obligaciones de la garantía del fabricante del motor.

Sin embargo, como propietario del motor pequeño para equipo de uso fuera de carretera usted debe ser consciente de que STIHL Incorporated puede negarle cobertura de garantía si dicho motor o una pieza del mismo ha fallado debido a maltrato, descuido, mantenimiento inadecuado o modificaciones no autorizadas.

Usted es responsable de llevar el motor pequeño para equipo de uso fuera de carretera a un centro de servicio STIHL tan pronto surja el problema. Las reparaciones bajo garantía serán realizadas en un tiempo razonable, sin exceder de 30 días.

Ante cualquier duda respecto a sus derechos y responsabilidades bajo esta garantía, sírvase contactar al representante de atención al cliente STIHL llamando al 1-800-467-8445, o si lo prefiere puede escribir a

STIHL Inc.,  
536 Viking Drive, P.O. Box 2015,  
Virginia Beach, VA 23450-2015 EE.UU.

www.stihlusa.com

### 35.1.4 Cobertura por STIHL Incorporated

STIHL Incorporated garantiza al último comprador y a cada comprador subsiguiente que el motor pequeño para equipo de uso fuera de carretera está diseñado, construido y equipado, al tiempo de la venta, de conformidad con todos los reglamentos acerca de emisiones aplicables. Además, STIHL Incorporated garantiza al comprador inicial y a cada comprador subsiguiente

que el motor está libre de defectos en el material y fabricación que puedan causar el incumplimiento de los reglamentos acerca de emisiones aplicables durante un período de dos años.

### 35.1.5 Período de garantía

El período de garantía comenzará el día en que el motor de equipo utilitario es comprado por el comprador inicial. Se recomienda el registro de producto, por lo que STIHL tiene un medio para ponerse en contacto con usted si alguna vez hay una necesidad de comunicar información sobre la reparación o el retiro acerca de su producto, pero no es necesaria con el fin de obtener el servicio de garantía.

Si cualquier componente relacionado con el sistema de control de emisiones está defectuoso, el mismo será sustituido por STIHL Incorporated sin costo alguno para el propietario. Cualquier pieza garantizada cuyo reemplazo no está programado como mantenimiento requerido, o que debe recibir únicamente inspección regular en el sentido de "reparar o sustituir según sea necesario", estará garantizada por el período de garantía. Cualquier pieza cuyo reemplazo está programado como mantenimiento requerido estará garantizada por el intervalo hasta el primer punto de reemplazo programado para esa pieza.

### 35.1.6 Diagnóstico

Como propietario, a usted no se le debe cobrar la mano de obra por los diagnósticos que determinen que una pieza de control de emisiones garantizada está defectuosa. No obstante, si usted reclama garantía para un componente de control de emisiones y se comprueba que la máquina no está defectuosa, STIHL Incorporated le cobrará el costo de la prueba del sistema de control de emisiones. El trabajo de diagnóstico mecánico se realiza en un centro de servicio autorizado por STIHL. La prueba del sistema de control de emisiones se realiza ya sea en la fábrica de STIHL Incorporated o en un laboratorio de ensayos independiente.

### 35.1.7 Trabajo bajo garantía

STIHL Incorporated reparará los defectos amparados por la garantía en cualquier estación de garantía o centro de servicio autorizado por STIHL. Todo trabajo de este tipo se hará gratis para el propietario siempre que se determine que un componente relacionado con el sistema de control de emisiones cubierto por la garantía está defectuoso.

Se puede usar cualquier pieza de repuesto aprobada por el fabricante o equivalente para el mantenimiento o la reparación de los componentes relacionados con el sistema de control de emisiones, y la misma debe ser suministrada gratis al propietario. STIHL Incorporated es responsable por daños a otros componentes del motor causados por la falla de una pieza garantizada que todavía está bajo garantía.

La lista siguiente define específicamente las piezas garantizadas y relacionadas con las emisiones:

- Filtro de aire
- Carburador (si corresponde)
- Bomba de combustible
- Estrangulador (sistema de enriquecimiento de arranque en frío) (si corresponde)
- Varillajes de control
- Múltiple de admisión
- Sistema de encendido por magneto o electrónico (Módulo de encendido o unidad de control electrónica)
- Volante
- Bujía
- Válvula de solenoide (si corresponde)
- Válvula de inyección (si corresponde)
- Bomba de inyección (si corresponde)
- Carcasa del acelerador (si corresponde)
- Cilindro
- Silenciador
- Convertidor catalítico (si lo tiene)
- Tanque de combustible
- Tapa de tanque de combustible
- Línea de combustible
- Adaptadores de línea de combustible
- Abrazaderas
- Sujetadores

### 35.1.8 Dónde presentar el reclamo para servicio bajo garantía

Lleve el producto a un centro de servicio de STIHL en su localidad.

### 35.1.9 Requerimientos de mantenimiento

Las instrucciones presentadas en este manual se basan en la aplicación de la mezcla recomendada para motores de 2 tiempos (vea también la instrucción "Combustible"). Las discrepancias de estas recomendaciones con respecto a la calidad y la proporción de la mezcla de combustible y aceite pueden exigir intervalos de mantenimiento más cortos.

## 35.1.10 Limitaciones

Esta garantía de los sistemas de control de emisiones no cubrirá ninguno de los puntos siguientes:

- ▶ reparación o sustitución requerida debido a maltrato, negligencia o falta del mantenimiento requerido,
- ▶ reparaciones mal hechas o sustituciones contrarias a las especificaciones de STIHL Incorporated que afecten desfavorablemente el funcionamiento y/o la durabilidad, y las alteraciones o modificaciones no recomendadas o aprobadas por escrito por STIHL Incorporated,

y

- ▶ la sustitución de piezas y otros servicios y ajustes necesarios para el mantenimiento requerido en y después del primer punto de reemplazo programado.

## 36 Declaración de garantía de STIHL Incorporated sobre el control de emisiones de gases de escape y emisiones por evaporación para el Estado de California

### 36.1 Solo para California

#### 36.1.1 Sus derechos y obligaciones de garantía

El Consejo de Recursos del Aire del Estado de California (CARB) y STIHL Incorporated se complacen en explicarle la Garantía del sistema de control de emisiones instalado en el motor de su equipo de uso fuera de carretera para el año 2026 y posteriores.

En California, el equipo nuevo que tiene motores pequeños para uso fuera de carretera debe estar diseñado, construido y equipado de conformidad con las rigurosas normas del estado para reducir la contaminación del aire. STIHL Incorporated debe garantizar el sistema de control de emisiones de su motor pequeño para uso fuera de carretera por los intervalos mencionados más adelante, siempre que dicho motor o equipo no haya estado expuesto a maltrato, negligencia o cuidado inapropiado que causara la falla del sistema de control de emisiones.

El sistema de control de emisiones puede incluir componentes tales como el carburador o el sistema de inyección de combustible, el sistema de encendido, el convertidor catalítico, los tanques

y tuberías de combustible (para combustible líquido o en vapor), tapas de combustible, válvulas, envases, filtros, abrazaderas y otros componentes relacionados. Además, puede incluir mangueras, correas, conectores y otros grupos asociados con el control de emisiones.

En los casos en que exista una condición amparada por la garantía, STIHL Incorporated reparará su motor pequeño para equipo de uso fuera de carretera sin costo alguno, incluido el diagnóstico, las piezas y la mano de obra.

### **36.1.2 Responsabilidades del fabricante en relación con la garantía**

El sistema de control de gases de escape y de evaporaciones del motor de su equipo para uso fuera de carretera tiene una garantía de dos años. Si alguno de los componentes de su motor relacionados con el sistema de control de emisiones está defectuoso, será reparado o sustituido por STIHL Incorporated sin costo alguno.

### **36.1.3 Responsabilidades del propietario en relación con la garantía**

Como propietario de un motor pequeño para equipos de uso fuera de carretera, usted tiene la responsabilidad de realizar el mantenimiento necesario que figura en su manual de instrucciones. STIHL Incorporated le recomienda que guarde todos los recibos de los trabajos de mantenimiento que se hagan en su motor pequeño para equipos de uso fuera de carretera, pero STIHL Incorporated no puede negar la garantía basándose únicamente en el hecho de que faltan los recibos o de que el propietario no se ha asegurado de que se llevan a cabo todas las tareas de mantenimiento programadas.

Sin embargo, como propietario del motor pequeño para equipos de uso fuera de carretera, usted debe ser consciente de que STIHL Incorporated puede negarle la garantía si el motor o uno de sus componentes han fallado debido a maltrato, a un descuido, a un mantenimiento inadecuado o a modificaciones no autorizadas.

Usted tiene la responsabilidad de llevar el motor pequeño para equipos de uso fuera de carretera a un concesionario de servicio de STIHL en cuanto surja el problema. Las reparaciones cubiertas por la garantía deben realizarse en un tiempo razonable, de no más de 30 días. Si tiene cualquier duda sobre sus derechos y sus responsabilidades en relación con la garantía, póngase en contacto con un representante del servi-

cio de atención al cliente de STIHL llamando al 1-800-467-8445, o si lo prefiere, escriba a

STIHL Inc., 536 Viking Drive,  
P.O. Box 2015,  
Virginia Beach, VA 23450-2015.

[www.stihlusa.com](http://www.stihlusa.com)

### **36.1.4 Cobertura por parte de STIHL Incorporated**

STIHL Incorporated garantiza al último comprador y a cualquier comprador subsiguiente que su motor pequeño para equipos de uso fuera de carretera está diseñado, construido y equipado, en el momento de la venta, de modo que cumplan todos los reglamentos sobre emisiones aplicables.

Además, STIHL Incorporated garantiza al comprador inicial y a cualquier comprador subsiguiente que el motor está libre de defectos de fabricación y fallos en los materiales que puedan causar el incumplimiento de los reglamentos sobre emisiones aplicables durante un período de dos años.

### **36.1.5 Período de garantía contra defectos**

Los períodos de garantía comenzarán el día en que el comprador inicial adquiera el motor del equipo utilitario. Si cualquier componente relacionado con el sistema de control de emisiones está defectuoso, STIHL Incorporated lo sustituirá sin costo alguno para el propietario.

No está permitido usar componentes adicionales o modificados que no hayan sido eximidos por el Consejo de Recursos del Aire (CARB). El uso de cualquier componente adicional o modificado no eximido será motivo de denegación de la garantía. STIHL Incorporated no asumirá responsabilidad alguna por fallas en los componentes cubiertos por la garantía causadas por el uso de un componente adicional o modificado no eximido.

La garantía que cubre los componentes relacionados con las emisiones se interpretará de la manera siguiente:

1. Cualquier componente garantizado cuyo reemplazo no está programado como mantenimiento requerido en las instrucciones escritas requeridas en la Lista de Piezas bajo la Garantía de Control de Emisiones (vea más abajo) debe garantizarse por el período de garantía definido en la subsección COBERTURA POR STIHL INCORPORATED, vea más arriba. Si uno de estos

- componentes falla durante el período de garantía, el fabricante debe repararlo o sustituirlo de acuerdo con la subsección (4), más abajo. Un componente reparado o sustituido bajo la garantía debe garantizarse durante el resto del período de garantía.
2. Cualquier componente garantizado que solamente debe inspeccionarse periódicamente de acuerdo con las instrucciones escritas requeridas en la Lista de Piezas bajo la Garantía de Control de Emisiones (vea más abajo) debe garantizarse por el período de garantía definido en la subsección COBERTURA POR STIHL INCORPORATED, vea más arriba. Una frase de las instrucciones por escrito en la que se afirme, por ejemplo, "reparar o sustituir según sea necesario" no acortará el período de cobertura de garantía. Cualquier componente de este tipo reparado o sustituido bajo la garantía debe garantizarse por el resto del período de garantía.
  3. Cualquier componente cubierto por la garantía para el que esté programada una tarea de mantenimiento necesaria en las instrucciones por escrito requeridas por la lista de piezas bajo la garantía de control de emisiones (vea más abajo) debe garantizarse por el período de tiempo anterior al primer punto de sustitución programado para este componente. Si el componente falla antes del momento programado para sustituirlo por primera vez, el fabricante del motor debe reparar o sustituir dicho componente de acuerdo con la subsección (4), más abajo. Cualquier componente de este tipo que se haya reparado o sustituido cubierto por la garantía debe garantizarse por el resto del período previo al primer punto de sustitución programado para el componente.
  4. La reparación o sustitución de cualquier componente cubierto por la garantía debe llevarse a cabo en una estación de reparaciones de garantía sin costo alguno para el propietario.
  5. No obstante lo expuesto en la subsección (4) más arriba, los servicios o las reparaciones bajo garantía pueden obtenerse en todos los centros de distribución del fabricante autorizados para dar servicio a los motores en cuestión.
  6. Al propietario no se le debe cobrar el trabajo de diagnóstico que establece que el componente garantizado está realmente defectuoso, siempre y cuando este trabajo de

diagnóstico se lleve a cabo en una estación de reparaciones bajo garantía.

### 36.1.6 Trabajo bajo garantía

STIHL Incorporated reparará los defectos amparados por la garantía en cualquier estación de garantía o concesionario de servicio de STIHL autorizado. Cualquier trabajo de este tipo se llevará a cabo sin costo alguno para el propietario si se determina que la pieza cubierta por la garantía está defectuosa. Para llevar a cabo las tareas de mantenimiento o reparación cubiertas por la garantía en los componentes relacionados con el sistema de control de emisiones se puede usar cualquier pieza de repuesto aprobada por el fabricante o equivalente. La pieza de repuesto se facilitará al propietario sin costo alguno. STIHL Incorporated es responsable de los daños que sufran otros componentes del motor por la ausencia de una pieza cubierta por la garantía que todavía está bajo garantía.

### 36.1.7 Lista de piezas bajo la garantía de emisiones

Filtro de aire, carburador (si corresponde), bomba de combustible, estrangulador (sistema de enriquecimiento para arranque en frío), si corresponde, varillajes de control, múltiple de admisión, sistema de encendido por magneto o electrónico (módulo de encendido o unidad de control electrónica), volante, bujía, válvula de solenoide (si corresponde), válvula de inyección (si corresponde), bomba de inyección (si corresponde), carcasa del acelerador (si corresponde), cilindro, silenciador, convertidor catalítico (si corresponde), tanque de combustible, tapa de combustible, tubería de combustible, adaptadores de tubería de combustible (para combustible líquido o en vapor), abrazaderas, fijaciones.

### 36.1.8 Dónde reclamar el servicio de garantía

Lleve el producto STIHL a cualquier concesionario de servicio de STIHL autorizado.

### 36.1.9 Limitaciones

La reparación o la sustitución de cualquier componente garantizado y normalmente abarcado por la garantía se puede excluir de la garantía si STIHL Incorporated demuestra el maltrato, negligencia o mantenimiento incorrecto del producto de STIHL, y que tal maltrato, negligencia, o mantenimiento incorrecto ha sido la causa directa de la necesidad de reparación o sustitución del componente. A pesar de lo anterior, cualquier ajuste de un componente que tenga un disposi-

tivo limitador instalado de fábrica que funcione correctamente no perjudicará la cobertura de la garantía.

## 37 Marcas comerciales

### 37.1 Marcas registradas de STIHL

STIHL®

**STIHL**



La combinación de colores naranja-gris (registros de EE. UU. 2,821,860; 3,010,057; 3,010,058; 3,400,477 y 3,400,476)



AutoCut®

FARM BOSS®

iCademy®

MAGNUM®

MasterWrench Service®

MotoMix®

OIOMATIC®

ROCK BOSS®

STIHL Cutquik®

STIHL DUROMATIC®

STIHL Quickstop®

STIHL ROLLOMATIC®

STIHL WOOD BOSS®

TIMBERSPORTS®

YARD BOSS®

WOOD BOSS®

KISS MY AXE®

DIRT BOSS®

iMOW®

### 37.2 Algunas de las marcas comerciales de STIHL por ley común

4-MIX™

BioPlus™

Easy2Start™

EasySpool™

ElastoStart™

Ematic™

STIHL Precision Series™

FixCut™

Micro™

Pro Mark™

TapAction™

Quiet Line™

STIHL Moto4™

STIHL SuperCut™

STIHL Injection™

STIHL PowerSweep™

Team STIHL™

HEXA™

IntelliCarb™

Master Control Lever™

Stihl Outfitters™

STIHL PICCO™

TrimCut™

STIHL M-Tronic™

On A Single Charge™

STIHL PolyCut™

STIHL RAPID™

Esta lista de marcas comerciales está sujeta a cambios.

Queda terminantemente prohibido todo uso de estas marcas comerciales sin el consentimiento expreso por escrito de ANDREAS STIHL AG & Co. KG, Waiblingen.





**⚠ WARNING**

This product contains chemicals known to the State of California to cause cancer, birth defects or other reproductive harm.

**⚠ WARNING**

The engine exhaust from this product contains chemicals known to the State of California to cause cancer, birth defects or other reproductive harm.

**⚠ ADVERTENCIA**

Este producto contiene sustancias químicas consideradas por el Estado de California como causantes de cáncer, defectos de nacimiento u otra toxicidad reproductora.

**⚠ ADVERTENCIA**

El gas de escape del motor de esta máquina contiene productos químicos que en el estado de California son considerados como causantes de cáncer, defectos de nacimiento u otros efectos nocivos para los órganos de la reproducción.



0458-432-8621-B

[www.stihlusa.com](http://www.stihlusa.com)



0458-432-8621-B